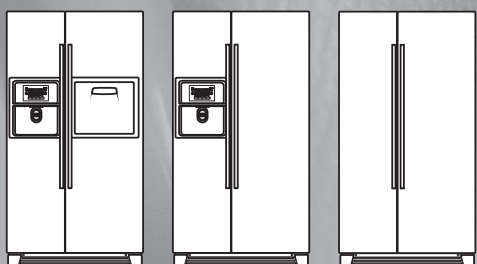


KAN..



en Operating and Installation instructions

fr Notices d'utilisation et de montage

tr Kullanma ve Kurma Kılavuzu

fa دستور استفاده و نصب

ar دليل الاستخدام والتنصيب



**BOSCH**

---

<b>en</b> .....	3
<b>fr</b> .....	22
<b>tr</b> .....	42
<b>fa</b> .....	fa-1
<b>ar</b> .....	ar-1

---

---

## en Table of Contents

Congratulations .....	4
Safety and warning information .....	4
Information concerning disposal .....	5
Your new appliance .....	6
Installation .....	8
Switching on the appliance .....	8
Selecting the temperature .....	9
Switching off and disconnecting the appliance .....	9
Functions .....	9
Variable interior design .....	10
Fridge .....	10
Freezer compartment .....	11
Freezing and storing food .....	11
Automatic ice and water dispenser .....	12
How to save energy .....	14
Operating noises .....	14
Defrosting .....	14
Cleaning the appliance .....	14
Eliminating minor faults yourself .....	15
Changing the bulb .....	17
Changing the water filter .....	17
Calling customer service .....	17
Installation instructions .....	18

## Congratulations

With the purchase of your new fridge-freezer you have opted for a modern, high-quality domestic appliance.

Your fridge-freezer is distinguished by its economical energy consumption.

Each appliance which leaves our factory is inspected thoroughly to ensure that it functions properly and is in perfect condition.

If you have any questions – particularly concerning installation and connection of the appliance – please do not hesitate to contact our customer service.

Further information and a selection of our products can be found on our home page.

Please read these operating instructions as well as the installation instructions and all information enclosed with the appliance and follow accordingly.

Retain all documents for subsequent use or for the next owner.

## Safety and warning information

### Before you switch ON the appliance

Please read the operating and installation instructions carefully. They contain important information on how to install, use and maintain the appliance. Keep all documentation for subsequent use or for the next owner.

### Technical safety

#### Warning

- This appliance contains a small quantity of environmentally-friendly but flammable R600a refrigerant. Ensure that the tubing of the refrigerant circuit is not damaged during transportation and installation. Leaking refrigerant may cause eye injuries or ignite.

#### If damage has occurred

- Keep naked flames and/or ignition sources away from the appliance,
- Pull out the mains plug,
- Thoroughly ventilate the room for several minutes,
- Notify customer service.

The more refrigerant an appliance contains, the larger the room must be. Leaking refrigerant can form a flammable gas-air mixture in rooms which are too small.

The room must be at least 1 m<sup>3</sup> per 8 g of refrigerant. The amount of refrigerant in your appliance is indicated on the rating plate inside the appliance.

- Only customer service may change the power cord and carry out any other repairs. Improper installations and repairs may put the user at considerable risk.

## Important information when using the appliance

- Never use electrical appliances inside the appliance (e. g. heaters, electric ice makers, etc.). Risk of explosion!
- NEVER use a steam cleaner to defrost or clean the appliance. Steam may come into contact with electrical components and cause a short-circuit or an electric shock.
- Do not store products which contain flammable propellants (e. g. spray cans) or explosive substances in the appliance. Explosion hazard!
- Do not stand or support yourself on the base, drawers or doors, etc.
- Before defrosting and cleaning the appliance, pull out the mains plug or switch off the fuse. Do not pull out the mains plug by tugging the cable.
- Bottles which contain a high percentage of alcohol must be sealed and stored in an upright position.
- Keep plastic parts and the door seal free of oil and grease. Otherwise, parts and door seal will become porous.
- Never cover or block the ventilation openings for the appliance.
- Do not store bottled or canned drinks (especially carbonated drinks) in the freezer compartment. Bottles and cans may explode!
- Do not put an ice lolly or ice cube directly from the freezer compartment into your mouth. **Risk of burns** from very low temperatures!
- Never touch frozen food with wet hands. Your hands could freeze to the food. Risk of injury!
- Do not scrape off hoarfrost or stuck frozen food with a knife or pointed object. You could damage the refrigerant tubing. Leaking refrigerant may ignite or cause eye injuries.



## Children in the household

- Do not allow children to play with the appliance!
- If the appliance features a lock, keep the key out of the reach of children.

## General requirements

The appliance is suitable

- for refrigerating food,
- for freezing food,
- for making ice.

The appliance is designed for domestic use.

The appliance is suppressed according to EU Directive 89/336/EEC.

The refrigerant circuit has been tested for leaks.

## Information concerning disposal

### Disposal of packaging

The packaging protects your appliance from damage during transit. All packaging materials are environmentally friendly and recyclable. Please contribute to a better environment by disposing of packaging materials in an environmentally-friendly manner.

Please ask your dealer or inquire at your local authority about current means of disposal.

### **Warning**

Keep children away from packaging and its parts. Danger of suffocation from folding cartons and plastic film!

### **Disposal of your old appliance**

Old appliances are not worthless rubbish! Valuable raw materials can be reclaimed by recycling old appliances.



This appliance has been identified in accordance with the European directive 2002/96/EG on Waste Electrical and Electronic Equipment – WEEE). The directive specifies the framework for an EU-wide valid return and recycling of old appliances.

### **Warning**

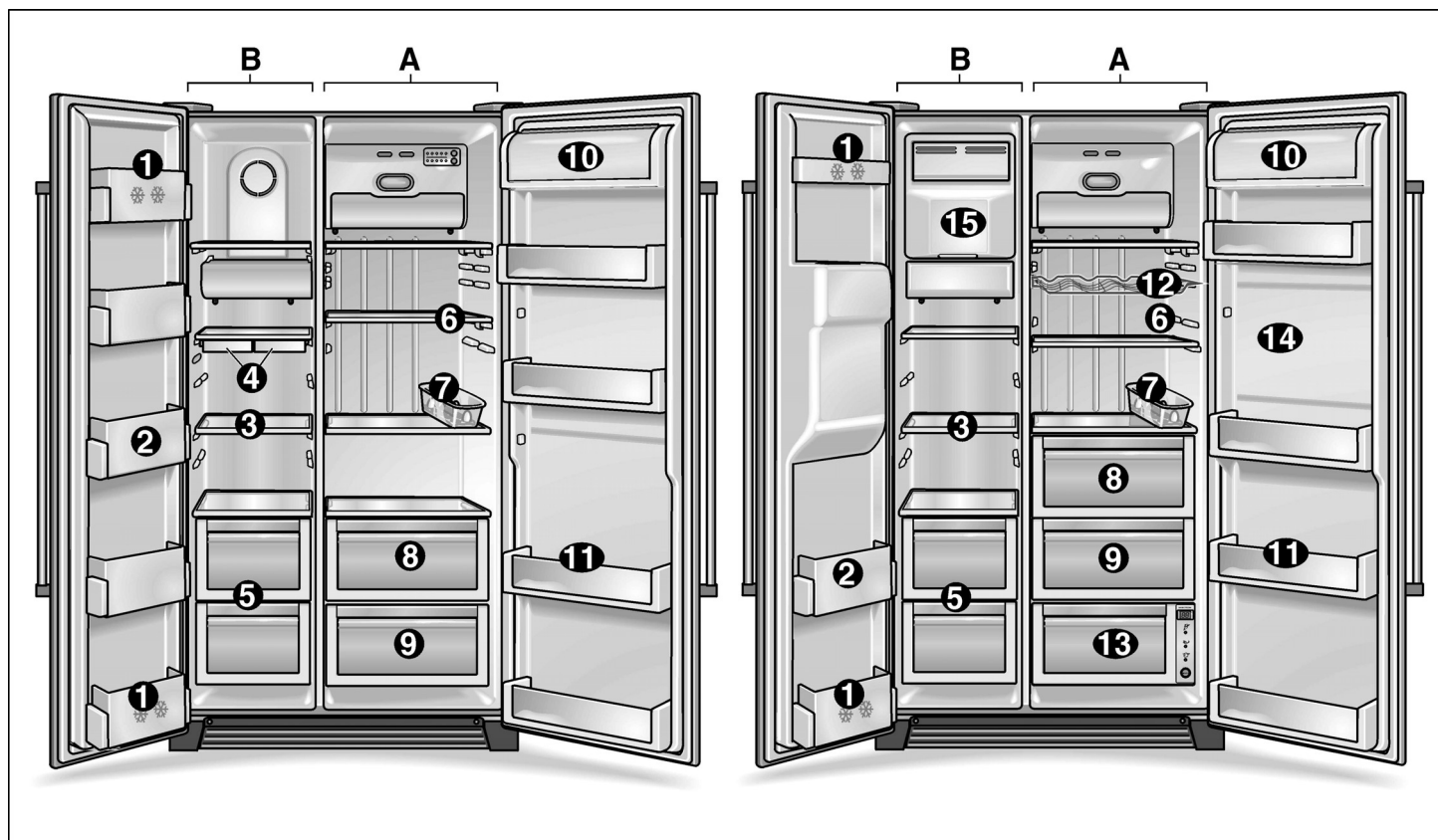
Redundant appliances

1. Pull out the mains plug.
2. Cut off the power cord and discard with the mains plug.

Refrigerators contain refrigerants and the insulation contains gases. Refrigerant and gases must be disposed of properly. Ensure that tubing of the refrigerant circuit is not damaged prior to proper disposal.

## Your new appliance

These operating instructions refer to several models. The illustrations may differ.



A Refrigerator compartment

B Freezer compartment

**1 Door storage compartment (2-star compartment)**

for short-term storage of food and ice cream.

**2 Door storage compartment**

for storage of frozen food.

**3 Glass shelves in freezer compartment**

for storage of frozen food, e.g. meat, fish, ice cream.

**4 Ice cube container \***

**5 Freezer compartment drawer**

for storage of meat, fish, poultry (packaged).

**6 Glass shelves in refrigerator compartment**

for storage of cooked food, milk products, sausage.

**7 Egg rack**

**8 Vegetable container**

**9 Fruit container**

**10 Butter and cheese compartment**

**11 Door storage compartment**

for storage of tinned food, bottles and jars.

**12 Wine rack \***

**13 Cool-fresh compartment \***

for optimum storage of fish, meat and poultry.

**14 Bar compartment \***

opens from the outside for quick removal of drinks without opening the refrigerator compartment door.

**15 Ice maker \***

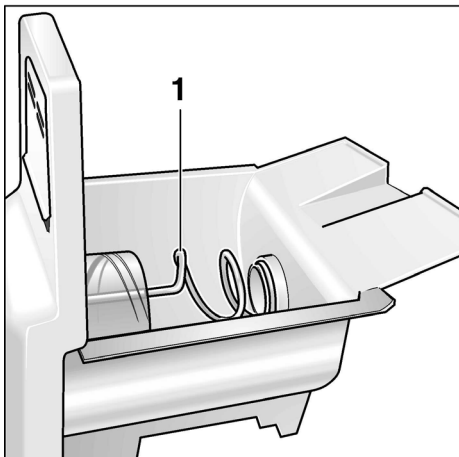
for production and storage of ice cubes

\* not all models

**Note**

If some of the indicate parts are missing from your appliance, these parts belong to a different model.

**Ice maker**



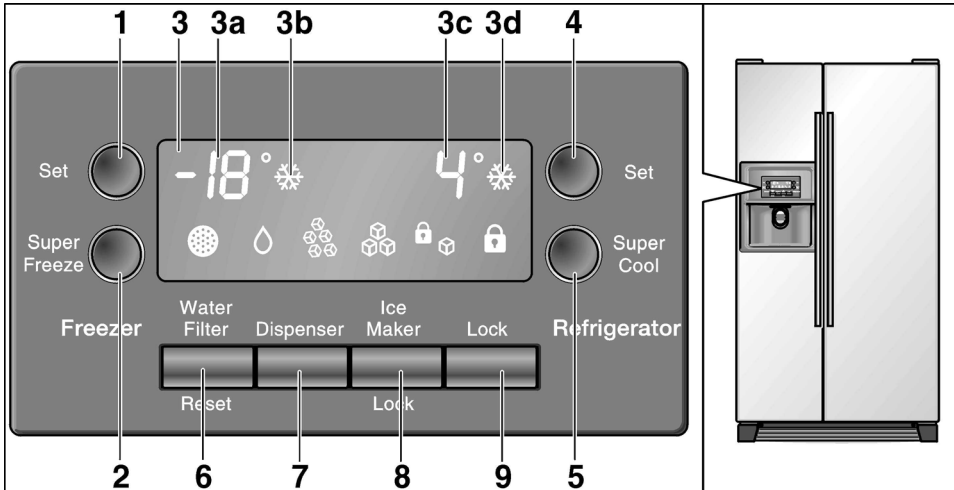
1 Screw conveyor

**Ice and water dispenser**

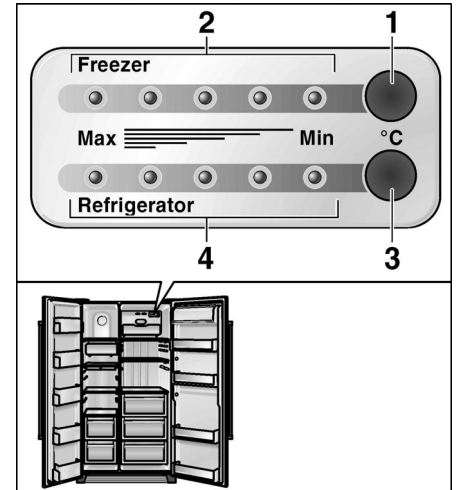


2 Dispenser pad  
3 Water collecting tray

**Control and display panel**









- 1 Selection button for freezer compartment temperature
- 2 "super" freeze button
- 3 Display panel
- 3a Temperature display, freezer compartment
- 3b "super" freeze display
- 3c Temperature display, refrigerator compartment
- 3d "super" cool display
- 4 Selection button for refrigerator compartment temperature
- 5 "super" cool button
- 6 Reset button, water filter
- 7 Request button for water/ice
- 8 Lock button for ice maker for cleaning or prolonged non-use of the ice maker.
- 9 Lock button for control panel (childproof lock)  
Press button to prevent the settings from being unintentionally changed. To release the button, press for longer than a second. The display goes out.



- Temperature control**
- 1 Selection button for freezer compartment temperature
  - 2 LED display Freezer compartment temperature
  - 3 Selection button for refrigerator compartment temperature
  - 4 LED display Refrigerator compartment temperature

## Explanation of the symbols on the display panel

	“Filter needs changing” display After changing the filter, press the water filter reset button for approx. 5 seconds to switch off the display.		“Water” display
	“Ice maker locked” display		“Crushed ice” display
	“Control panel locked” display		“Ice cubes” display

## Installation

### Installation location

Install the appliance in a dry, well ventilated room. If installation near a heat source is unavoidable, use a suitable insulating plate or observe the following minimum distances to a heat source:

Observe the following minimum distances to heat sources:

- 3 cm to an electric cooker.
- from an oil or solid-fuel cooker 30 cm.

The floor on which the appliance is to be installed must be rigid. If required, reinforce the floor.

The appliance is very heavy, for empty weight see the following table.

Basic model	104 kg
Model with dispenser	113 kg
Model with home bar	115 kg

To ensure that the ice maker functions correctly, the appliance must be upright. Align the appliance with a spirit level. To ensure that the doors can open all the way, observe lateral minimum distances when installing the appliance in a corner or recess (see section on “Appliance dimensions”).

### Installing and connecting the appliance

**Have a technician install the appliance and connect it to the water supply according to the enclosed installation instructions.**

After installing the appliance, wait at least ½ hour before switching on the appliance. During transportation the oil in the compressor may have flowed into the refrigeration system.

Before switching on the appliance for the first time, clean the interior of the appliance (see “Cleaning the appliance”).

### Electrical connection

Do not use an extension lead or a multi-plug socket. This appliance must be connected to a permanently installed socket.

The plug to secure the appliance must be freely accessible. Connect the appliance to a 220–240 V/50 Hz AC current via a plug which has been properly installed. The plug must be fitted with a 10-A-fuse or higher.

**If the appliance is to be operated in a non-European country, check on the rating plate whether the indicated voltage and current type correspond to the values of your mains supply. The rating plate is situated in the bottom left-hand side of the appliance. Any necessary exchanging of the mains lead should carried out by a specialist electrician.**

#### **⚠ Warning!**

**Never connect the appliance to electronic energy saver plugs (e.g. Ecoboy: Sava Plug) or to power inverters which convert the direct current to 230-V alternating current (e.g. solar equipment, power supplies on ships).**

### Observe ambient temperature and ventilation

The atmosphere grade is written on the identification plate. It states the room temperature within which the appliance can be operated.

Atmosphere grade	Permitted ambient temperature
SN	+10 °C to 32 °C
N	+16 °C to 32 °C
ST	+16 °C to 38 °C
T	+16 °C to 43 °C

### Ventilation

Never cover the ventilation openings in the base panel. Otherwise, the refrigerating unit must work harder and the power consumption is increased.

## Switching on the appliance

- Insert the mains plug into a socket.

The appliance begins to cool down as soon as it is connected to the power supply. When the doors are open, the interior lights come on.

#### **Note:**

The preset temperatures (factory settings) are reached after approx. 2 to 3 hours. Do not put any food in the appliance beforehand.

To change the set temperatures → see “Setting the temperature”.



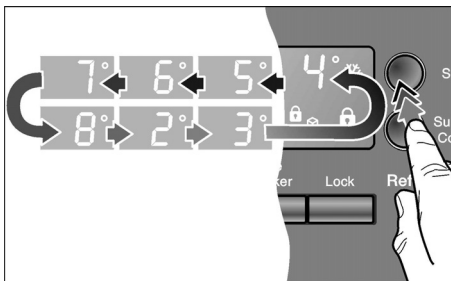
## Selecting the temperature

### Appliances with control panel

- The temperature for the refrigerator and freezer compartments can be adjusted separately. The set value is indicated on the display panel.
- The factory setting for the refrigerator compartment is **4 °C**.
- The factory setting for the freezer compartment is **-19 °C**.

To change the values:

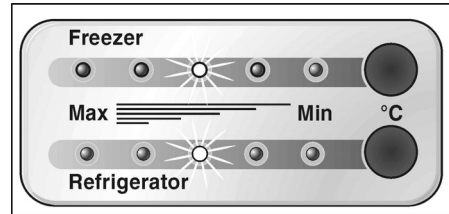
- Keep pressing the Selection button until the required temperature value is indicated.



The value last indicated is saved by the system.

## Appliances with temperature control

- The appliance features a separate temperature control for the refrigerator and freezer compartments.
- The factory setting for the refrigerator and freezer compartments is in the mid-range.

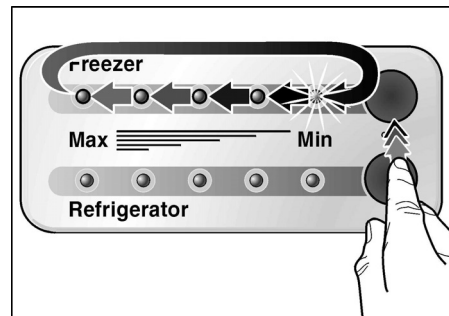


### Note:

The 5 LEDs indicate the entire temperature range of the respective compartment, e.g. refrigerator compartment from +2 °C to +8 °C.

To change the values:

- Keep pressing the Selection buttons until the required setting is reached.



The temperature values are indicated steplessly from the lowest to the highest temperature. When the highest value is reached, the display jumps back to the lowest value.

## Switching off and disconnecting the appliance

### Switching off the appliance

- Pull out the mains plug.

### Disconnecting the appliance

If the appliance is not used for a prolonged period:

- Take all food out of the appliance.
- Cut off the water supply.
- Empty the ice cube container (see "Cleaning the appliance").
- Run off the remaining drinking water.
- Pull out the mains plug.
- Remove the water filter.

### Note:

Before switching on the appliance again, install a new water filter!

- Clean the appliance interior (see "Cleaning the appliance").

To prevent odours, leave the doors open.

**If there is a risk of frost, have a technician empty the water container for the drinking water dispenser (see installation instructions).**

### If moving house

Remove all detachable parts and pack each one carefully. Secure the doors and flaps with adhesive tape and transport the appliance in an upright position.

## Functions

### Door alarm

If one of the doors is left open, an alarm signal sounds after one minute and is repeated every 60 seconds for 5 minutes.

### Interior light automatically switches off

If an appliance door is left open for longer than 10 minutes, the interior light automatically switches off to prevent overheating. This saves energy.

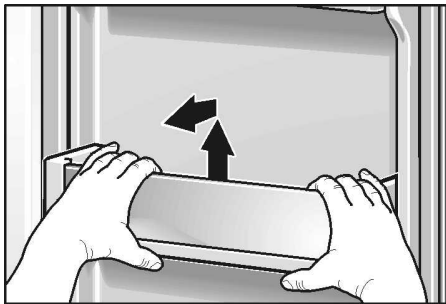
## Variable interior design

You can vary the shelves inside the appliance and the containers in the door to suit your requirements.

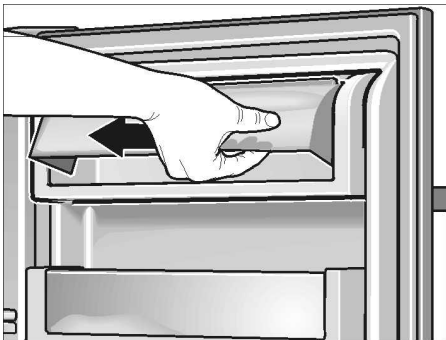
- Pull the shelf forwards and remove.



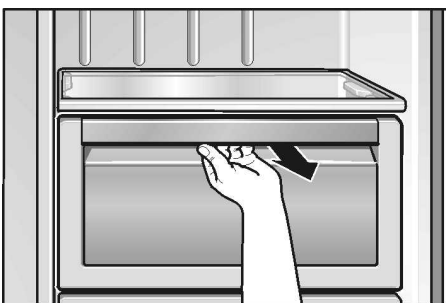
- Lift the container and remove.



- Raise the cover slightly on the butter and cheese compartment, press to the **left** and remove.



- Pull drawers forwards, raise slightly and remove.



## Fridge

The refrigerator compartment temperature can be set from +2 °C to +8 °C. We recommend a setting of +4°C.

### Using the refrigerator compartment

For storage of cakes and pastries, ready meals, tinned food, condensed milk, hard cheese, fruit and vegetables sensitive to the cold: tropical fruit, e.g. mandarins, bananas, pineapples, melons, avocados, papayas, passion fruit, aubergines, also fruit which requires further ripening, tomatoes, cucumbers, green tomatoes, potatoes.

### When storing food, comply with the following:

- Allow warm food and drinks to cool down outside the appliance.
- To prevent food from losing its flavour or drying out, place in airtight containers.
- Avoid contact of oil and fat with the plastic parts and door seal.
- Store high-percentage alcohol tightly closed and standing up, do not store any explosive substances in the appliance. Explosion hazard!

### “super” cooling

Function for rapid cooling of food or drinks which are to be stored in the refrigerator compartment. The refrigerator compartment is cooled as cold as possible in “super” cooling mode.

- Press the **super** button.



Each time the button is pressed, the function is activated or deactivated. The activated “super cooling” function is indicated by the symbol on the display panel.

## Bar compartment

(not all models)

To remove drinks, etc. from the refrigerator compartment, it is not necessary to open the door.



## “Cool-fresh” compartment

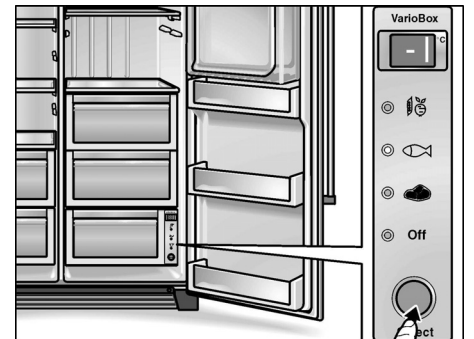
(not all models)

The temperature in this compartment is kept at almost 0 °C. This provides optimum storage conditions for fresh food.

For optimum storage of food:

- Using the Selection button, select the appropriate food (vegetables/fish/meat).

The selection is indicated by a lit LED and temperature.



### Note:

- In the “Off” position the compartment adopts the temperature of the compartment situated above.
- The displayed temperature is a required temperature. The temperature in the “cool-fresh” compartment may deviate slightly.

### Foods not suitable for the “cool-fresh” compartment:

- Fruit and vegetables sensitive to the cold (tropical fruit, avocados, papayas, passion fruit, aubergines, cucumbers, peppers, lettuce)
- Ripening fruit (green tomatoes, bananas)
- Potatoes
- Hard cheese

### When buying food, please note:

The “purchase freshness” is important for the shelf-life of your food. In principle the following applies: the fresher the food is placed in the “cool-fresh” compartment, the longer it will keep. When buying food, always note the degree of freshness.

### Storage times (at 0 °C):

Depending on the initial quality	
Sausage, cold cuts, meat, offal, fish, fresh milk, curds	Up to 7 days
Small pieces of meat, fried sausage, mushrooms, lettuce, leafy vegetables	Up to 10 days
Large pieces of meat, ready meals	Up to 15 days
Smoked or cured sausage, cabbage	Up to 20 days
Large pieces of heat-treated meat, beef, game, pulses	Up to 30 days

## Freezer compartment

The freezer compartment temperature can be set from -16 °C to -22 °C. We recommend a setting of -18 °C.

Use the freezer compartment:

- For storing deep-frozen food.
- to freeze food.
- to make ice cubes.

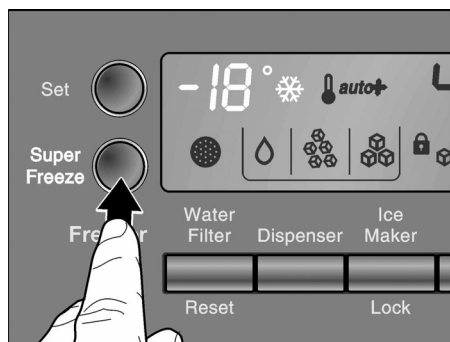
### Note:

Ensure that the freezer compartment door is always closed. If the door is open, the frozen food will thaw. The freezer compartment will become covered in thick ice. Also: Energy will be lost due to high power consumption.

### “super” freezing

Fast freezing is used to freeze large quantities of fresh food and, depending on the quantity, must be switched on up to 24 hours before the food is placed in the freezer compartment. The freezer compartment is cooled as cold as possible in “super” freezing mode.

- Press the **super** button.



Each time the button is pressed, the function is activated or deactivated. The activated “super freezing” function is indicated by the symbol on the display panel.

## Freezing and storing food

### Storing deep-frozen food

When purchasing deep-frozen food, comply with the following:

- Check that the packaging is not damaged.
- Check the sell-by date.
- The temperature of the supermarket freezer should be -18 °C or lower. If not, the storage life of the food is reduced.
- Purchase deep-frozen food last. Wrap in newspaper or place in a cold bag and take home.
- At home immediately place deep-frozen food in the freezer compartment. Use the deep-frozen food before the sell-by date runs out.
- Do not refreeze thawed food. Exception: If you use the food to make a ready meal (boiling or frying), you can refreeze this ready meal.

### Freezing food yourself

Freeze fresh, undamaged food only. To prevent food from losing its flavour or drying out, wrap the food in airtight film or place in containers. In order to retain the vitamins, nutritional value, appearance and flavour food should be frozen as quickly as possible. Do not exceed the max. freezing capacity.

### How to wrap food correctly:

- Place the food in the wrapping.
- Press out all the air.
- Seal the wrapping.
- Label the wrapping with the contents and date.

### The following products are not suitable for wrapping food:

Wrapping paper, greaseproof paper, cellophane, refuse bags and used shopping bags.

## The following products are suitable for wrapping food:

Plastic film, polyethylene blown film, aluminium foil and freezer tins. These products can be purchased from a specialist outlet.

## The following products are suitable for sealing the wrapped food:

Rubber bands, plastic clips, string, cold-resistant adhesive tape or similar.

Bags and polyethylene blown film can be sealed with a film sealer.

## Freezing capacity

You can freeze up to 10 kg of food within 24 hours.

## Storage duration of the frozen food

The storage period depends on the type of produce.

At a mean temperature:

Fish, sausage, ready meals and cakes and pastries	up to 6 months
Cheese, poultry and meat	up to 8 months
Vegetables and fruit	up to 12 months

## Thawing frozen food

Depending on the type of food and intended use, frozen produce can be thawed as follows:

- at room temperature
- in the refrigerator
- in an electric oven, with/without hot-air fan
- In the microwave

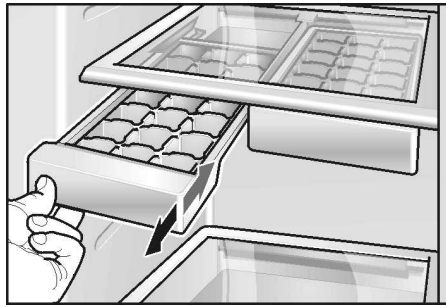
### Note

Do NOT refreeze food which is beginning to thaw or which has already thawed. The food cannot be refrozen until it has been prepared (boiled or fried).

No longer store the frozen produce for the max. storage period.

## Making ice cubes

(Appliances without ice maker)



- Fill the ice cube tray  $\frac{3}{4}$  full of water and place in the freezer compartment.
- To loosen the ice cubes, twist the ice tray slightly or hold briefly under flowing water.

## Automatic ice and water dispenser

Remove where necessary:

- Cooled water
- Ice cubes
- Crushed ice can be dispensed as required.

### ⚠ Warning!

**Do not use fragile receptacles for dispensing water or ice – risk of injury from broken glass!**

**Keep fingers clear of the discharge opening. Risk of injury from crusher blades!**

### Note:

The ice and water dispenser will not function unless the appliance is connected to the power supply.

## When switching on your new appliance, observe the following

When the appliance has been connected, there are still air bubbles in the lines.

Run off drinking water and pour away until water can be dispensed without bubbles. Pour away the first 5 glasses.

When using the ice maker for the first time, do not use the first 30 – 40 ice cubes for reasons of hygiene.

## Operating the ice maker

When the freezer compartment has reached its freezing temperature, water flows into the ice maker and freezes into ice cubes. When the ice cubes are ready, they are automatically discharged into the ice cube container.

Occasionally the sides of the ice cubes stick together. When they are conveyed to the outlet opening, they usually break away from each other.

When the ice cube container is full, ice making switches off automatically.

The ice maker can make approx. 100 ice cubes within 24 hours.

**Do not place bottles or food in the cube container in order to cool them quickly. The ice maker may block and be damaged.**



When the appliance has been switched on, it takes approx. 24 hours until the first batch of ice cubes are ready.

When ice cubes are being made, the buzzing water valve, the water flowing into the ice cube tray and the falling ice cubes can be heard.

### Drinking water quality

All materials used in the drinks dispenser are odourless and tasteless.

If the water has an aftertaste, this may be caused by:

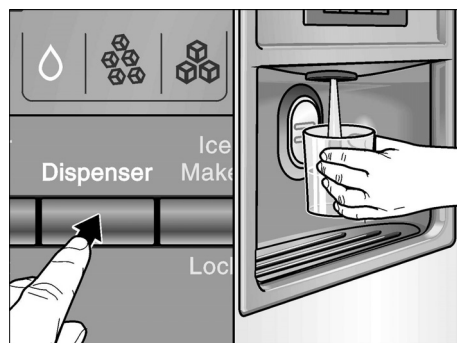
- Mineral and chlorine content of the drinking water.
- Material of the domestic water line or connection line.
- Freshness of the drinking water (if water has not been dispensed for a long time, the water may have a "stale" taste. In this case dispense approx. 15 glasses of water and pour away).

Taste and odour of the water may be improved by installing the enclosed water filter in the water supply.

**The enclosed water filter will filter only particles out of the supply water, not bacteria or microbes.**

### Dispensing water

- Press the button until the symbol lights up.



- Press the glass against the dispenser pad. The water stops running when the glass is removed from the pad.

#### Tip:

The water from the water dispenser is cooled to a palatable temperature. If you would like the water colder, place ice cubes in the glass before dispensing the water.

### Dispensing ice

- Press the button until the symbol for ice cubes or crushed ice lights up.



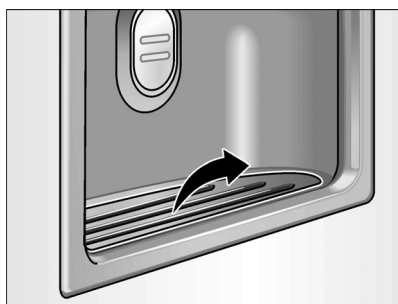
- Press a suitable receptacle against the dispenser pad.

#### Note:

- Remove the receptacle from the dispenser pad when it is approx. half full. Ice in the discharge may cause the receptacle to overflow or block the discharge.
- After switching over from dispensing ice cubes to crushed ice, the dispenser may still contain whole ice cubes or pieces of ice cube. These will be dispensed with the first portions of crushed ice.

### Removing and cleaning the water collecting tray

Spilled water collects in the water collecting tray. The water collecting tray can be emptied and cleaned by pulling it out.



### Removing and cleaning the ice cube container

If ice cubes have not been dispensed for a prolonged period, they will shrink, have a stale taste and stick together.

- Pull out the container, empty and clean with lukewarm water.
- Thoroughly dry the container and screw conveyor to prevent new ice cubes from sticking.

### Inserting the ice cube container

- Push the ice cube container all the way back onto the supports until it locks into position.



- If the container cannot be pushed all the way back, twist the screw conveyor in the container.

Ice cube production continues.

### Disconnecting the ice cube maker

If ice cubes are not to be dispensed for longer than 1 week (e.g. holiday), temporarily disconnect the ice cube maker to prevent the ice cubes from freezing together.



- Press the "Ice maker" lock button. The symbol lights up.
- Remove the ice cube container, empty and re-insert. Ensure that the ice cube container engages with the support.

Switching on the ice cube maker again:

- Press "Ice maker" lock button. The symbol goes out.

## How to save energy

- Install the appliance in a cool, well ventilated room, but not in direct sunlight and not near a heat source (radiator, cooker, etc.). If required, use an insulating plate.
- Allow warm food and drinks to cool down before placing in the appliance!
- When thawing frozen food, place it in the refrigerator compartment. The low temperature of the frozen products cools the food in the refrigerator.
- Open and close the door as briefly as possible.

## Operating noises

### Normal noises

**Humming** – refrigerating unit is running. The fan in the circulating air system is running.

**Bubbling, gurgling or whirring noises** – refrigerant is flowing through the tubing. Water flowing into the ice maker.

**Clicking** – motor is switching on or off. Solenoid valve on the water connection is opening or closing.

**Rumbling** – Ready ice cubes from the ice maker are falling into the ice cube container.

### Noises which can be easily rectified

#### The appliance is not level

Please align the appliance with a spirit level. Use the height-adjustable feet or place something under the feet.

#### The appliance is touching adjacent units or appliances

Please move the appliance away from adjacent units or appliances.

#### Drawers, baskets or storage areas are loose or sticking

Please check the removable parts and, if required, reinsert them.

#### Receptacles are touching each other

Please move bottles or receptacles away from each other.

## Defrosting

Defrosting is actuated automatically.

The water which occurs during defrosting runs down to the evaporation tray on the rear panel in the refrigerator and evaporates automatically.

## Cleaning the appliance

- **Attention:** Pull out the mains plug or switch off the fuse!
- Clean the door seal with water only and then dry thoroughly.
- Clean the appliance with tepid rinsing water. The rinsing water must not drip onto the fascia or light.

Do not place the cold glass shelves directly from the freezer compartment into hot water.

Never clean the shelves or containers in the dishwasher. The parts may warp.

- After cleaning: insert the mains plug or switch on the fuse.

### **⚠ Warning!**

**Never touch frozen food with wet hands. Your hands could freeze to the food. Risk of injury!**

Never use a steam cleaner to clean the appliance. The steam may come into contact with live parts in the appliance and cause a short-circuit or electric shock. Steam may damage the plastic surfaces.

## Eliminating minor faults yourself

### Before you call customer service:

Please check whether you can eliminate the fault yourself based on the following information. Customer service will charge you for advice, even if the appliance is still under guarantee!

### Refrigerator and freezer compartments

Fault	Possible cause	Remedial action
Appliance has no refrigerating capacity. The interior light is not functioning.	Power failure; the fuse has been switched off; the mains plug has not been inserted properly.	Check whether the power is on, the fuse must be switched on.
The refrigerating unit is switching on more frequently and for longer.	Appliance door opened frequently.	Do not open the door unnecessarily.
	Large quantities of fresh food are being frozen.	Do not exceed max. freezing capacity.
	The ventilation openings have been covered.	Remove obstacles.
The temperature in the refrigerator or freezer compartment is too cold.	Temperature has been set too low.	Select a warmer temperature (see "Setting the temperature")
The frozen food is frozen solid.		Loosen frozen food with a blunt object. Do not use a knife or pointed object.
There is a thick layer of frost in the freezer compartment.		Always ensure that the appliance door is closed.
The interior light is not functioning.	The bulb is defective.	Replace bulb (see "Changing the bulb").
	Light switch is sticking.	Check whether it can be moved.
The freezer compartment is no longer reaching the selected temperature	The freezer compartment door was open too long. The evaporator (refrigeration generator) is covered in such a thick layer of ice that the fully automatic defrosting system is no longer able to defrost this amount of ice.	Take frozen food out of the appliance, insulate thoroughly and place in a cool location. After approx. 12 hours the ice in the refrigerating system has thawed. Switch on the appliance again and put back the frozen food. <b>Note!</b> To prevent loss of refrigeration, do not open the refrigerator compartment door unnecessarily often. If the fault cannot be rectified by means of the above information, please call customer service.

### Water and ice dispenser

Fault	Possible cause	Remedial action
Despite prolonged operating time, ice cubes are not being dispensed.	Tap turned off.	Turn tap on.
	Water supply is interrupted. Water pressure too low.	Inform plumber.
	Ice maker is locked. The symbol is lit on the display panel.	Press "Ice maker" lock button.
	Freezer compartment too warm.	Lower temperature in the freezer compartment (see "Setting the temperature").
Ice cubes are in the ice cube container but are not being dispensed.	Ice cubes are frozen together.	Remove and empty the ice cube container.
Ice cubes are jammed in the outlet of the ice cube container or in the ice crusher.		Remove the ice cube container and rotate the screw conveyor by hand. Loosen any jammed chunks of ice with a wooden chopstick.

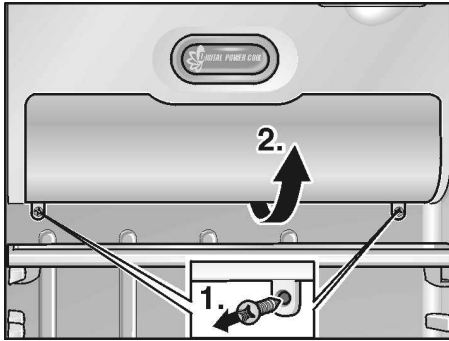
Fault	Possible cause	Remedial action
<b>Ice cubes are watery.</b>	Ice cubes have melted – power failure or the freezer compartment door was not closed properly.	Remove the ice cube maker, empty and rub dry.
<b>Ice cubes are evaporating.</b>		Cold air flowing over the ice cubes is causing shrinkage, particularly if consumption is low. This is normal.
<b>The flap on the ice cube dispenser is not closing properly.</b>	Ice cubes are preventing the flap from closing.	Remove ice cubes.
<b>Ice cubes are sticking in the ice cube tray.</b>	Limescale from the water may be forming in the trays.	Moisten a cloth with vinegar and wipe out the trays. If limescale is thick, always clean the trays when cleaning the refrigerator compartment.
<b>Ice cubes are not the same size and there is water in the ice cube container.</b>	The appliance is not level.	Align the appliance with a spirit level and with the height-adjustable rollers or feet (see Installation instructions).
<b>Water dispenser is not functioning.</b>	Tap turned off.	Turn tap on.
	Water supply is interrupted. Water pressure too low.	Inform plumber.
	Freezer compartment too warm.	Lower temperature in the freezer compartment (see “Setting the temperature”).



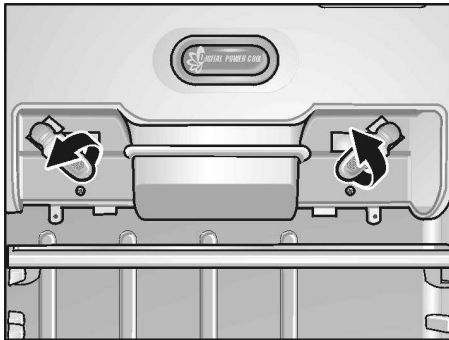
## Changing the bulb

### Changing the bulb inside the appliance

- **Attention:** Pull out the mains plug or switch off the fuse!
- Loosen 2 screws under the cover and remove the cover.



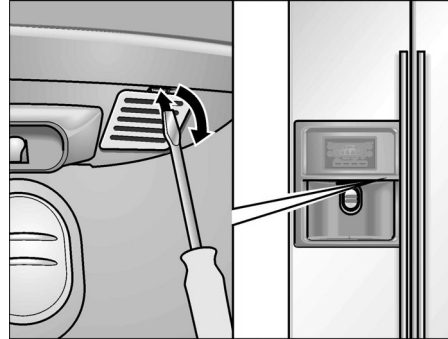
- Change the bulb. replacement bulb max. 25 W, 220–240 V AC, E14 lampholder.



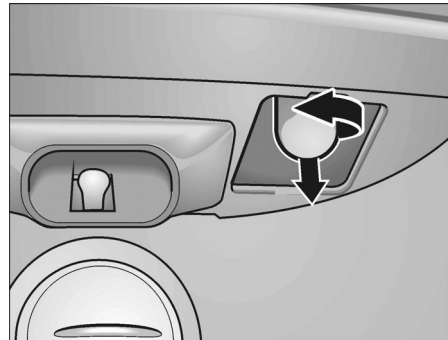
- Attach the cover.

### Changing the bulb on the ice and water dispenser

- **Attention:** Pull out the mains plug or switch off the fuse!
- Prise out the cover with a screwdriver.



- Change the bulb. replacement bulb max. 15 W, 220–240 V AC, E14 lampholder.

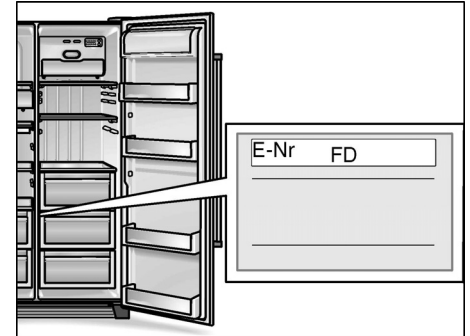


- Attach the cover.

## Calling customer service

Your local customer service can be found in the telephone directory or in the customer-service index. Please provide customer service with the appliance product number (E-Nr.) and production number (FD).

This information can be found on the product label.



To prevent unnecessary call-outs, please assist customer service by quoting the product and production numbers. This will save you additional costs.

## Changing the water filter

A new filter is available from customer service under part no. 497818.

- **Attention:** Pull out the mains plug or switch off the fuse!
- Cut off the water supply to the appliance.
- Take the used filter out of the filter holder and remove the connecting lines.

**Caution!** Do not put the connecting lines down! There may be some water left in the appliance and the lines.

- Connect new filter to the connecting lines. Observe the direction of flow printed on the filter!
- Insert the filter into the filter holder.

## Installation instructions

### Important note:

These installation instructions refer to various models.

Not all steps are required for some models.

**The appliance may be installed and connected only by an authorised technician according to these installation instructions.**

**Always connect the water before the power.**

**Apart from statutory national regulations, you should stick to the connection terms relating to the local electricity and water companies.**

**Keep the installation instructions in a safe place.**

## Installation location

### Warning:

The appliance is very heavy, for empty weight see the following table.

Basic model	104 kg
Model with dispenser	113 kg
Model with home bar	115 kg

Install the appliance in a dry, well ventilated room. The installation location should neither be exposed to direct sunlight nor near a heat source, e.g. a cooker, radiator, etc. If installation next to a heat source is unavoidable, use a suitable insulating plate or observe the following minimum distances to a heat source:

- 3 cm to an electric cooker.
- 30 cm to an oil or solid-fuel cooker.

The floor on which the appliance is to be installed must be rigid. If required, reinforce the floor (appliance is very heavy, unloaded approx. 145 kg, loaded up to 400 kg). To ensure that the ice maker functions correctly, the appliance must be upright. To ensure that the doors can open all the way, observe lateral minimum distances when installing the appliance in a corner or recess (see section on “Appliance and installation dimensions”).

## Unpacking the appliance

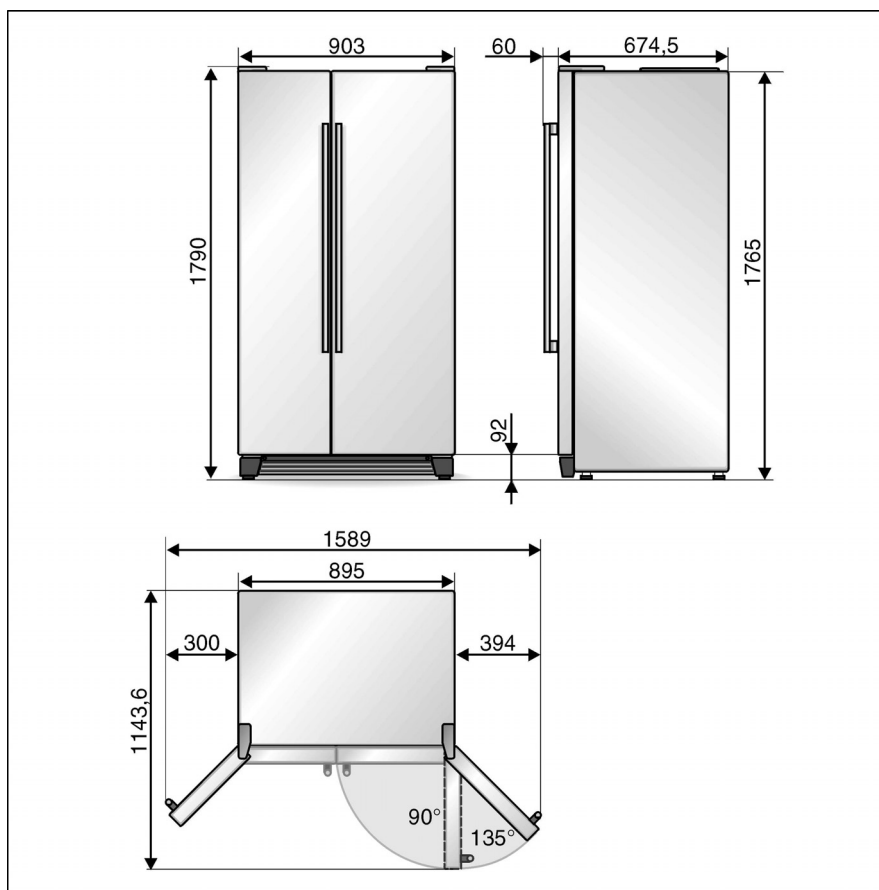
- Remove packaging material and adhesive tape. (Adhesive residue on the housing can be removed with the adhesive side of the removed tape. To do this, repeatedly place the adhesive tape on the adhesive residue and remove).
- Do not remove the transportation protection devices from the shelves and storage compartments until the appliance has been installed.
- After installing the appliance, remove the transportation protection devices from the ice maker. To do this, pull out the ice maker.



### Warning:

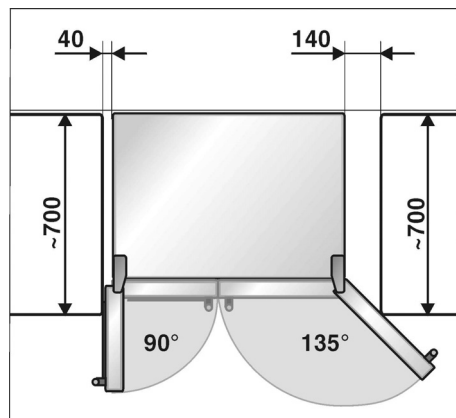
Before connecting the appliance to the power supply, remove all the inner and outer packaging material.

## Appliance and installation dimensions



If the depth of the adjacent kitchen equipment is more than 60 cm, observe lateral minimum distances in order to utilise the full door opening angle.

Door opening angle	Minimum distance
90°	40 mm
135°	140 mm



If a panel or cupboard is installed above the appliance, ensure that a gap is left so that the appliance can be pulled out of the recess if required.

### Unscrewing the doors

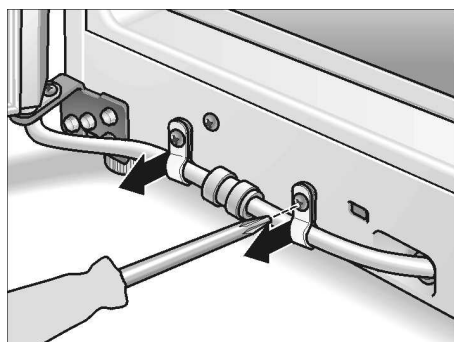
If the appliance will not fit through the house door, the appliance doors can be unscrewed.

We recommend that installation is carried out by our customer service.

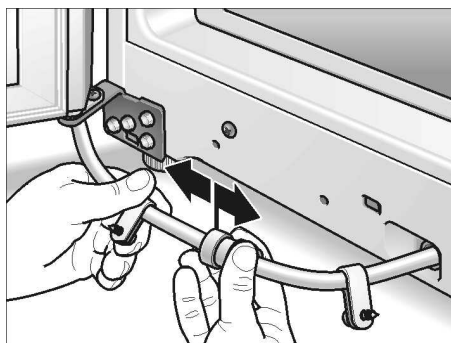
#### Unscrewing the freezer compartment door

- Remove lower cover.
- Loosen the hose connection:

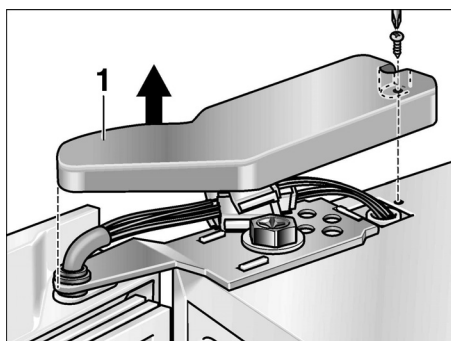
Loosen the hose clips on the hose connection.



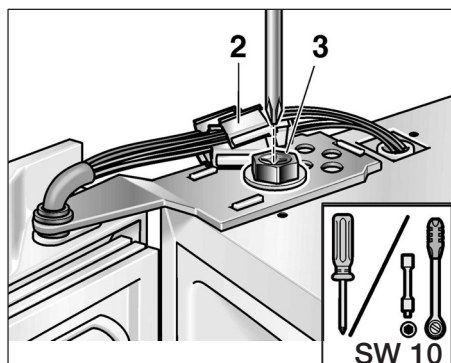
Press the clamping ring in the direction of the arrow and simultaneously pull the hose out of the hose connection.



- Remove the upper hinge cover (1).

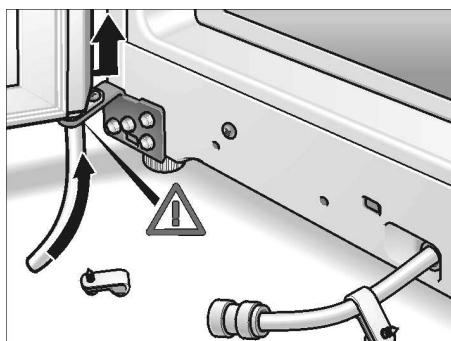


- Disconnect the electrical plug-and-socket connections (2).



- While holding the door, unscrew the hinge screws on top (3).
- Lift the door off the lower hinge pin.

**Remove and deposit the door with care! Do not damage the water line.**



### Unscrewing the refrigerator compartment door

- Unscrew the refrigerator compartment door in the same way (the refrigerator compartment door does not feature any electrical plug-and-socket connections or hose connections).

#### Warning:

Before installing the doors in reverse sequence, ensure that the appliance is level in the installation location.

### Connecting the appliance to the water supply

The water may be connected only by a competent fitter according to the local regulations of the appropriate water supply company.

Connect the appliance to a cold water line.

- Minimum pressure: 0.1 Mpa (1,0 bar)
- Maximum pressure up to 1.0 Mpa (10.0 bar)

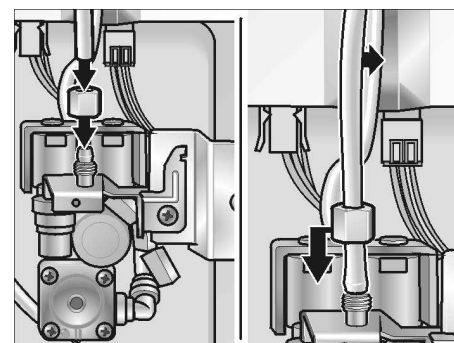
Depending on the local conditions, it may be necessary to install a pressure reducer in the water line.

The tap 3/4" for connection of the enclosed line should be freely accessible. The enclosed connection lines are 1.5 m and 7 m long.

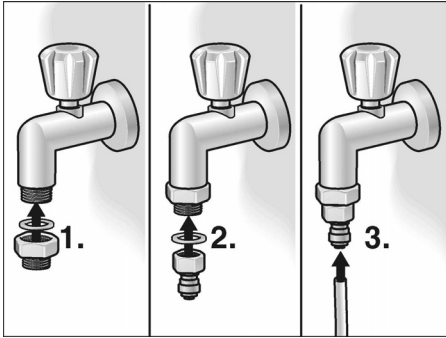
Taste and odour of the water may be improved by installing the enclosed water filter in the water supply.

#### Connection

- Connect the line to the solenoid valve.



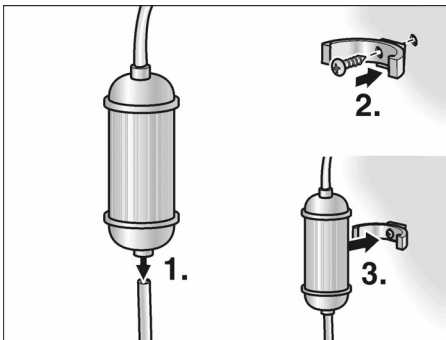
- Connect the line to the tap.



- Using the enclosed clips, attach the connecting line to the rear panel of the appliance and to the room wall.
- Place the connecting line in loops or coils so that the appliance can be moved away from the wall.

### Installing the filter in the water supply line

- Connect the ends of the connecting line to the filter (1). Observe the direction of flow printed on the filter!



- Attach the filter holder in a suitable position on the left or right of the appliance (e. g. base unit) (2) and insert the filter (3).

### Electrical connection

Do not use an extension lead or a multi-plug socket. This appliance must be connected to a permanently installed socket.

The plug to secure the appliance must be freely accessible. Connect the appliance to a 220 – 240 V / 50 Hz AC current via a plug which has been properly installed. The socket must be fused with a 10 A fuse or higher.

**If the appliance is to be operated in a non-European country, check on the rating plate whether the indicated voltage and current type correspond to the values of your mains supply. The rating plate is situated in the bottom left-hand side of the appliance. Any necessary exchanging of the mains lead should be carried out by a specialist electrician.**

#### ⚠ Warning!

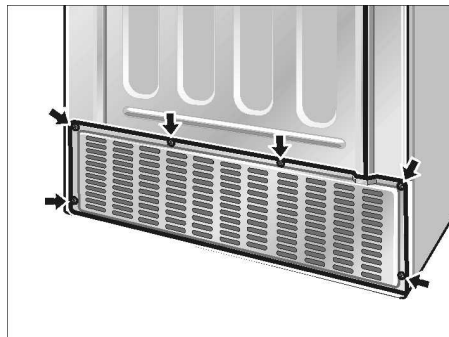
Never connect the appliance to electronic energy saver plugs (e.g. Ecoboy: Sava Plug) or to power inverters which convert the direct current to 230 V alternating current (e.g. solar equipment, power supplies on ships).

#### Important!

When installing or changing the power cord, attach a cord grip.

### Checking the water connection for leaks

- Switch on the appliance according to the enclosed operating instructions.
- Remove water according to the operating instructions. This will last several seconds as there is still air in the lines and water tank.
- Check all screw-on water connections for leaks on the appliance and on the water connection.
- After checking for leaks, pull out the mains plug again and attach the motor compartment cover.

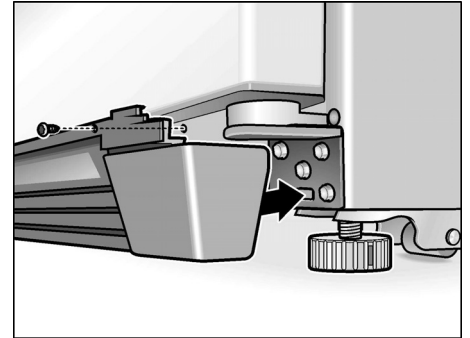


### Aligning the appliance

To ensure that the appliance functions correctly, it must be set level with a spirit level.

If the appliance is not level, water may flow out of the ice maker, ice cubes may be irregular or the doors may not close properly.

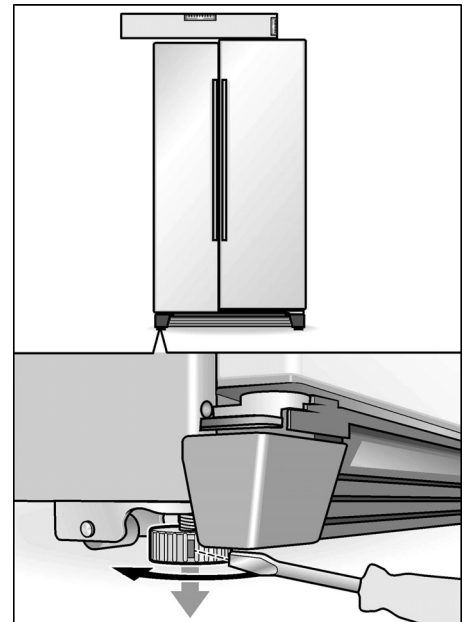
- Place the appliance in the designated location.
- Attach the enclosed base panel with 3 screws.



- To prevent the appliance from rolling away, screw down the front feet until they are positioned firmly on the floor.

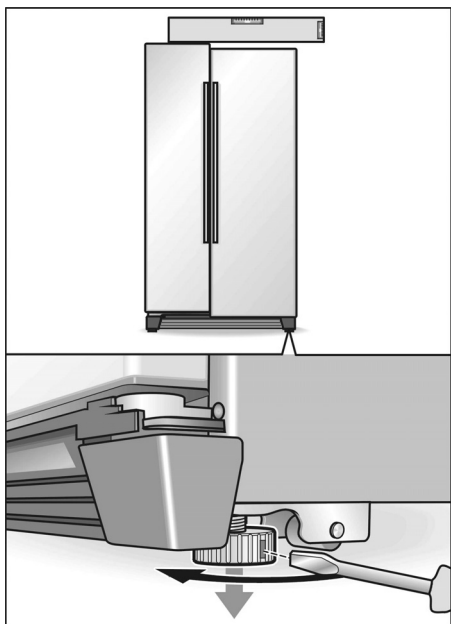
- Rotate the feet until the appliance is aligned exactly. Use the doors as a reference point!

Freezer compartment door is deeper:



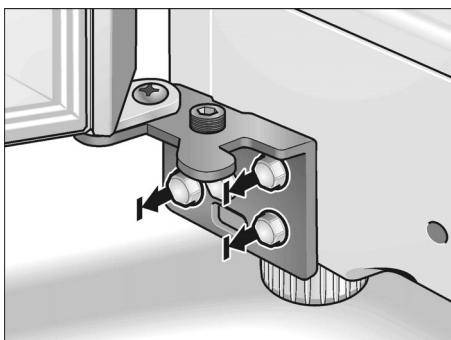


Refrigerator compartment door is deeper:

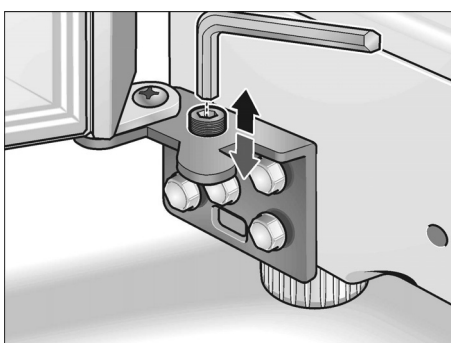


If the previous steps for aligning the door are not adequate:

- Remove the base panel.



- Loosen 3 hinge screws. **Do not completely unscrew the screws!**
- Place the wrench on the adjusting screw.



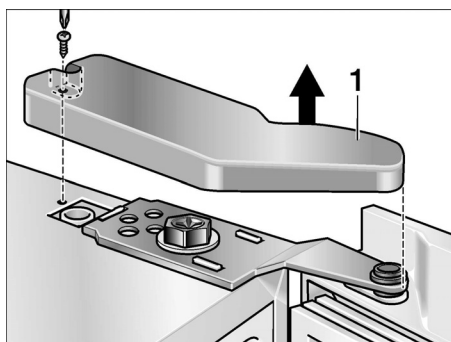
- To raise a door: Rotate the wrench clockwise.
- To lower a door: Rotate the wrench anti-clockwise.

**Note:**

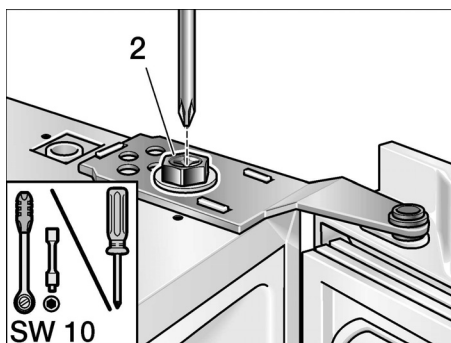
Due to the weight of the appliance and the food load in the door, the refrigerator compartment door may incline, even if the appliance itself is level. The door gap is not the same at the top and bottom.



- Remove the upper hinge cover (1).



- Loosen hinge screws (2). **Do not completely unscrew the screw!**



- Adjust the inclination of the refrigerator compartment door.
- Tighten the hinge screws.
- Fix the hinge covers.

**Switching on the appliance**

Switch on the appliance according to the enclosed operating instructions.

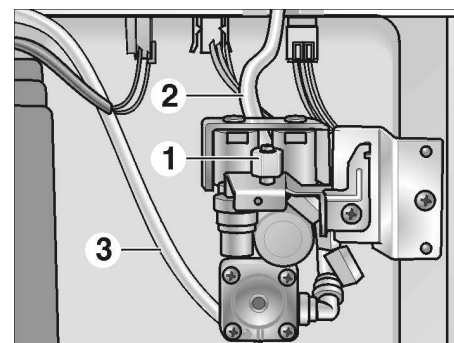
**Disconnecting the appliance**

Disconnect the appliance according to the enclosed operating instructions.

If the appliance is to be disconnected or stored at temperatures below freezing point, empty the water tank for the drinking water dispenser.

**Emptying the water tank in the appliance**

- Pull out the mains plug.
- Cut off the water supply to the appliance.
- Remove the motor compartment cover from the rear of the appliance.
- Unscrew the connecting cable (1).
- Place a shallow water-collecting tray (capacity approx. 3 litres) under the connection valve.



- Unscrew, drain and screw back hose (2) and then hose (3) on the appliance connection valve. **Important:** Do not mix up the hose connections!
- After draining the water tank, re-attach the motor compartment cover.

**Switch on the appliance and then turn on the tap.**



---

## fr Table des matières

Félicitations .....	23
Consignes de sécurité et avertissements .....	23
Conseils pour la mise au rebut .....	24
Votre nouvel appareil .....	25
Installation .....	27
Enclenchement de l'appareil .....	28
Réglage de la température .....	28
Arrêt et remisage de l'appareil .....	28
Fonctions .....	29
Agencement variable du compartiment intérieur .....	29
Compartiment réfrigérant .....	29
Compartiment congélateur .....	30
Congélation et rangement .....	31
Distributeur automatique de glaçons et d'eau .....	31
Economies d'énergie .....	33
Bruits de fonctionnement .....	33
Si vous dégivrez l'appareil .....	34
Nettoyage de l'appareil .....	34
Remédier soi même aux petites pannes .....	34
Changement d'ampoule .....	36
Changer le filtre à eau .....	36
Appeler le service après-vente .....	36
Instructions d'installation .....	37

## Félicitations

Avec l'achat de ce réfrigérateur-congélateur, vous venez d'opter pour un appareil électroménager moderne et de haute qualité.

Ce réfrigérateur-congélateur se distingue par une consommation économique d'électricité.

Chaque appareil subit, avant de quitter notre usine, des contrôles fonctionnels destinés à vérifier qu'il se trouve dans un état impeccable.

Si vous souhaitez demander des précisions, notamment en ce qui concerne l'installation et le raccordement de l'appareil, notre service après-vente se tient à votre disposition.

Pour obtenir des informations avancées et découvrir un choix de nos produits, rendez-vous à notre adresse d'internet.

Veillez lire la présente notice d'utilisation, les instructions d'installation ainsi que toutes les informations accompagnant votre appareil, et les respecter.

Rangez soigneusement ces documents pour les consulter à nouveau plus tard, ou pour les remettre au futur nouveau propriétaire de l'appareil.

## Consignes de sécurité et avertissements

### Avant de mettre l'appareil en service

Veillez lire attentivement et entièrement les informations figurant dans les notices d'utilisation et de montage. Elle contiennent des remarques importantes concernant l'installation, l'utilisation et l'entretien de l'appareil.

Conservez toute la documentation pour pouvoir la consulter à nouveau ultérieurement ou si l'appareil doit changer un jour de propriétaire.

### Sécurité technique

#### Attention

- Cet appareil contient une petite quantité d'un fluide réfrigérant écologique mais inflammable, le R 600a. Pendant le transport et la mise en place de l'appareil, veillez à ne pas endommager les tuyauteries du circuit frigorifique. Si le fluide réfrigérant jaillit, il peut provoquer des lésions oculaires ou s'enflammer.

#### Si l'appareil est endommagé

- De l'appareil, éloignez toute flamme nue ou source d'inflammation.
- Débranchez la fiche mâle de la prise de courant,
- Aérez bien la pièce pendant quelques minutes.
- Prévenez le service après-vente.

Plus l'appareil contient du fluide réfrigérant et plus grande doit être la pièce dans laquelle il se trouve. Dans les pièces trop petites, un mélange gaz-air inflammable peut se former en cas de fuite.

Comptez 1 m<sup>3</sup> de volume minimum de la pièce pour 8 g de fluide réfrigérant. La quantité de fluide présente dans l'appareil est indiquée sur la plaque signalétique située à l'intérieur de ce dernier.

- Le changement de cordon d'alimentation et d'autres réparations sont exclusivement réservées au service après-vente. Les installations et réparations inexpertes peuvent engendrer des risques considérables pour l'utilisateur.

## Pendant l'utilisation

- N'utilisez jamais d'appareils électriques à l'intérieur de l'appareil (par. ex. des appareils de chauffage, sorbetières électriques, etc.). Risque d'explosion !
- Ne dégivrez ni ne nettoyez jamais l'appareil avec un nettoyeur à vapeur. La vapeur pourrait atteindre des pièces électroconductrices et provoquer un court-circuit ou vous faire électrocuter.
- Ne stockez dans l'appareil ni produits contenant des gaz propulseurs inflammables (par ex. bombes aérosols) ni produits explosifs. Risque d'explosion !
- Ne vous servez pas des socles, clayettes et portes comme marchepieds ou pour vous appuyer.
- Pour dégivrer et nettoyer l'appareil, débranchez la fiche mâle de la prise de courant ou retirez le fusible / désarmez le disjoncteur. Pour débrancher l'appareil, tirez sur la fiche mâle et non pas sur son cordon.
- Stockez les boissons fortement alcoolisées en position verticale dans des récipients bien fermés.
- L'huile et la graisse ne doivent pas entrer en contact avec les parties en matières plastiques et le joint de porte. (Ces derniers pourraient sinon devenir poreux.)
- Ne recouvrez et n'obstruez jamais les orifices de ventilation de l'appareil.
- Dans le compartiment congélateur, ne stockez pas de boissons, gazeuses en particulier, en bouteilles ou en boîtes car elles éclateraient. Les bouteilles et les boîtes risqueraient d'éclater !
- Ne portez pas directement à la bouche les esquimaux ou les glaçons qui sortent du compartiment congélateur (**risque de brûlures** dû à la température très basse).
- Ne touchez pas les aliments congelés avec les mains mouillées car elles risqueraient de rester collées. Elles risqueraient de rester collées dessus. Risque de blessures.
- Ne tentez jamais de racler le givre ou la glace avec un couteau. Vous risqueriez d'endommager les tuyaux de fluide réfrigérant. Ce fluide, en fuyant, pourrait s'enflammer et vous blesser aux yeux.

## Les enfants et l'appareil

- L'appareil n'est pas un jouet, éloignez les enfants.
- Si l'appareil est équipé d'une serrure : rangez la clé hors de portée des enfants.

## Dispositions générales

L'appareil convient pour

- Réfrigérer des produits alimentaires.
- A congeler des produits alimentaires.
- Préparer des glaçons.

Cet appareil est destiné à un usage domestique.

L'appareil a été antiparasité conformément à la directive UE 89/336/CEE.

Le circuit frigorifique a subi un contrôle d'étanchéité.

## Conseils pour la mise au rebut

### Mise au rebut de l'emballage

L'emballage protège votre appareil contre les dégâts qu'il pourrait subir en cours de transport. Tous les matériaux qui le constituent sont compatibles avec l'environnement et recyclables. Aidez-nous à recycler l'emballage en respectant l'environnement.

Pour savoir comment vous débarrasser de l'emballage, veuillez consulter votre revendeur ou les services administratifs de votre mairie.

### Attention

Ne permettez jamais aux enfants de jouer avec l'emballage et ses pièces constitutives. Ils risquent de s'étouffer avec les cartons pliants et les feuilles de plastique !

### Mise au rebut de l'ancien appareil

Les appareils usagés ne sont pas des déchets sans valeur. Leur élimination dans le respect de l'environnement permet d'en récupérer de précieuses matières premières.



Cet appareil a été labélisé en conformité avec la directive communautaire européenne 2002/96/CE visant les appareils électriques et électroniques usagés (waste electrical and electronic equipment – WEEE). La directive définit le cadre pour une reprise et une récupération des appareils usagés applicables dans les pays de la CE.

### Attention

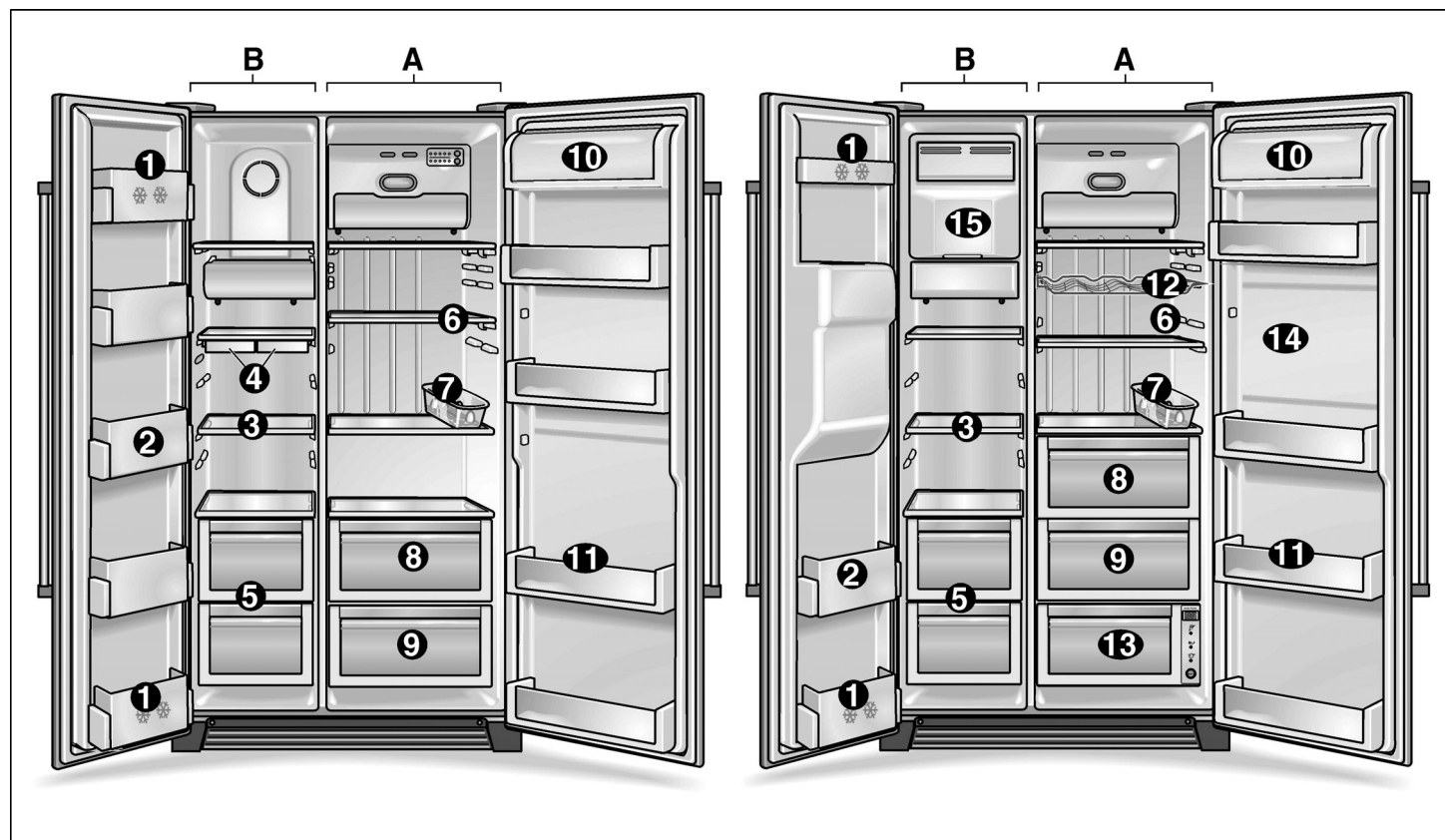
Avant de mettre au rebut l'appareil qui ne sert plus :

1. Débranchez la fiche mâle de la prise de courant.
2. Sectionnez le cordon d'alimentation puis enlevez-le avec la fiche mâle.

Les appareils frigorifiques contiennent des fluides frigorigènes et des gaz isolants qui nécessitent une mise au rebut adéquate. Veillez à ce que les tuyaux du circuit frigorifique de votre appareil ne soient pas endommagés jusqu'à son élimination dans les règles de l'art. Jusqu'à l'enlèvement de l'appareil, veillez bien à ce que son circuit frigorifique ne soit pas endommagé.

## Votre nouvel appareil

La présente notice d'utilisation vaut pour plusieurs modèles. Selon le modèle, l'appareil peut différer du contenu des illustrations.



A Compartiment réfrigérateur  
B Compartiment congélateur

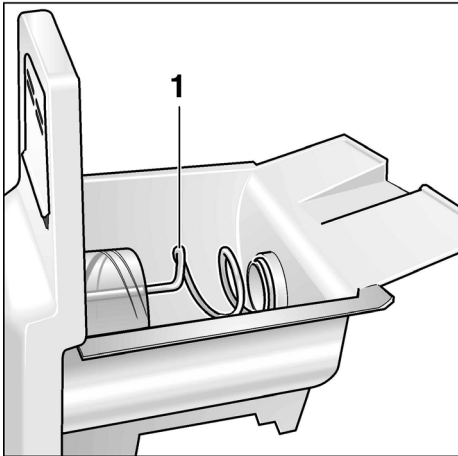
- |   |  |   |
|---|--|---|
| <p><b>1 Support en contre-porte (compartiment 2-étoiles)</b><br/>Pour ranger brièvement des produits et glaces alimentaires.</p> <p><b>2 Supports en contre-porte</b><br/>Pour ranger des produits alimentaires congelés</p> <p><b>3 Clayettes en verre du compartiment congélateur</b><br/>Pour ranger des produits congelés comme par ex. la viande, le poisson, les glaces alimentaires.</p> <p><b>4 Bac à glaçons *</b></p> <p><b>5 Tiroir du compartiment congélateur</b><br/>Pour ranger la viande rouge, le poisson, et la volaille (emballés)</p> | <p><b>6 Clayettes en verre du compartiment réfrigérateur</b><br/>Pour ranger des aliments cuits, produits laitiers, la charcuterie.</p> <p><b>7 Balconnet à œufs</b></p> <p><b>8 Bac à légumes</b></p> <p><b>9 Bac à fruits</b></p> <p><b>10 Casier à beurre et à fromage</b></p> <p><b>11 Supports en contre-porte</b><br/>Pour ranger des conserves, de la viande et des bocaux.</p> <p><b>12 Clayettes à bouteilles de vin*</b></p> <p><b>13 Compartiment fraîcheur *</b><br/>Pour ranger de façon optimale le poisson, la viande rouge et de volaille.</p> | <p><b>14 Minibar *</b><br/>Il s'ouvre de l'extérieur pour prélever rapidement des boissons sans devoir ouvrir la porte du compartiment réfrigérateur.</p> <p><b>15 Distributeur de glaçons *</b><br/>Pour confectionner et conserver les glaçons.</p> |
|---|--|---|

\* selon le modèle

## Remarque

Si certaines des pièces indiquées ne figurent pas sur votre appareil, c'est qu'elles se réfèrent à d'autres modèles.

### Distributeur de glaçons



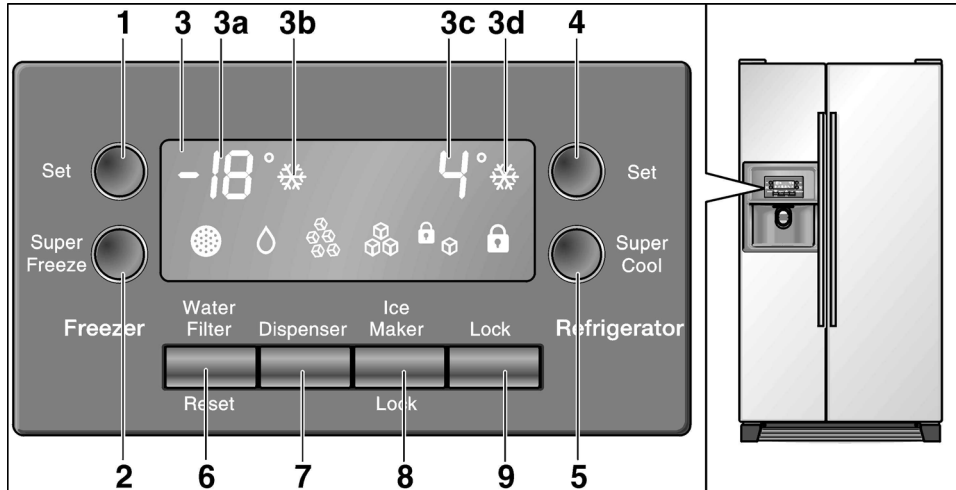
1 Vis sans fin de transport

### Distributeur de glaçons et d'eau

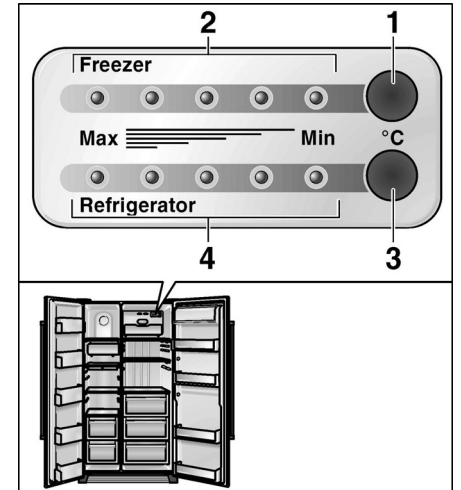


2 Plot de prélèvement  
3 Bac récupérateur d'eau

### Bandeau de commande et d'affichage



- |   |   |
|---|---|
| <p>1 Touche de réglage de la température du compartiment congélateur</p> <p>2 Touche de «super»-congélation</p> <p>3 Bandeau d'affichage</p> <p>3a Affichage de la température dans le compartiment congélateur</p> <p>3b Affichage de la «super»-congélation</p> <p>3c Affichage de la température dans le compartiment réfrigérateur</p> <p>3d Affichage de la «super»-réfrigération</p> <p>4 Touche de réglage de la température régnant dans le compartiment réfrigérateur</p> <p>5 Touche de «super»-réfrigération</p> | <p>6 Touche de réarmement du filtre à eau</p> <p>7 Touche de prélèvement d'eau / de glaçons</p> <p>8 Touche de verrouillage du distributeur de glaçons<br/>au moment de le nettoyer ou s'il doit rester une période prolongée sans servir.</p> <p>9 Touche de verrouillage du bandeau de commande (Protection enfants)<br/>Appuyez sur la touche pour protéger les réglages contre toute modification involontaire. Pour déverrouiller, appuyez sur cette touche plus d'une seconde. La mention s'éteint.</p> |
|---|---|



- Commande de la température**
- 1 Touche de réglage de la température du compartiment congélateur
- 2 LED d'affichage de la température régnant dans le compartiment congélateur
- 3 Touche de réglage de la température régnant dans le compartiment réfrigérateur
- 4 LED affichant la température du compartiment réfrigérateur



## Légende des symboles apparaissant sur le bandeau d'affichage

	Symbole «Changement de filtre nécessaire» Après un changement de filtre, appuyez pendant env. 5 secondes sur la touche de réarmement pour désactiver ce symbole.		Symbole «Eau»
	Symbole «Distributeur de glaçons verrouillé»		Mention «Glace pilée»
	Symbole «Bandeau de commande verrouillé»		Symbole «Glaçons»

## Installation

### Lieu d'installation

Un local sec et aérable convient pour installer l'appareil. Veillez à ce que l'emplacement ne soit pas directement exposé aux rayons solaires et qu'il ne se trouve pas à proximité d'une source de chaleur (par ex. une cuisinière, un radiateur, etc.). Si l'installation près d'une source de chaleur est inévitable, utilisez un panneau isolant approprié ou respectez les distances minimales suivantes par rapport à la source de chaleur :

Veillez respecter les distances minimales suivantes par rapport à la source de chaleur :

- 3 cm par rapport à une cuisinière électrique,
- 30 cm par rapport à un appareil de chauffage au fuel ou au charbon.

Le sol sur le lieu d'installation ne doit pas s'affaisser. Renforcez-le le cas échéant.

L'appareil est très lourd. Pour connaître son poids à vide, reportez-vous au tableau suivant.

Version de base	104 kg
Version à distributeur	113 kg
Version à minibar	115 kg

Afin que le distributeur de glaçons fonctionne impeccablement, l'appareil doit se trouver parfaitement à la verticale. Pour horizontaliser, utilisez un niveau à bulle. Si l'appareil a été installé dans une niche ou dans un coin de la pièce, maintenez un écart minimum pour pouvoir ouvrir les portes jusqu'à la butée (voir les dimensions de l'appareil).

### Installation et raccordement de l'appareil

**Confiez l'installation de l'appareil et son raccordement au réseau d'eau à un spécialiste qui respectera ce faisant la notice de montage ci-jointe.**

Après l'installation de l'appareil en position verticale, attendez au moins ½ heure avant de le mettre en service. Il peut en effet arriver, pendant le transport, que l'huile présente dans le compresseur se déplace vers le circuit frigorifique.

Nettoyez le compartiment intérieur de l'appareil avant la première mise en service (voir «Nettoyage de l'appareil»).

### Branchement électrique

N'utilisez ni prolongateurs ni distributeurs. Le raccordement de cet appareil demande la présence d'une prise femelle fixe.

La prise où est branchée l'appareil doit rester librement accessible. Branchez la fiche mâle de l'appareil dans une prise secteur en 220–240 V / 50 Hz, réglementairement reliée à la terre. Cette prise doit être protégée par un fusible supportant un ampérage de 10 A minimum.

**Sur les appareils destinés aux pays non européens, vérifiez si la tension de branchement et le type de courant spécifiés sur la plaque signalétique concordent bien avec ceux offerts par le secteur du pays concerné. La plaque signalétique se trouve en bas à gauche dans l'appareil. S'il faut changer le cordon d'alimentation secteur, ne confiez cette opération qu'à un spécialiste.**

### ⚠ Attention !

Ne branchez en aucun cas l'appareil à une «prise économie d'énergie» électronique (par ex. Ecoboy ; Sava Plug) ni à un onduleur qui convertit le courant continu (débité par ex. par des installations solaires, par les réseaux de bord des bateaux) en courant alternatif de 230 V.

### Contrôler la température ambiante et l'aération

La catégorie climatique de l'appareil figure sur sa plaque signalétique. Elle indique les températures ambiantes dans lesquelles l'appareil peut fonctionner.

Catégorie climatique	Température ambiante admissible
SN	+10 °C à 32 °C
N	+16 °C à 32 °C
ST	+16 °C à 38 °C
T	+16 °C à 43 °C

### Aération

Ne recouvrez en aucun cas les orifices d'entrée et de sortie d'air situés contre le bandeau du socle. Dans le cas contraire, le groupe frigorifique fonctionne plus longtemps, ce qui hausse la consommation de courant.

## Enclenchement de l'appareil

- Branchez la fiche mâle dans une prise de courant.

Après le raccordement au secteur, l'appareil commence à réfrigérer. Les éclairages intérieurs s'allument lorsque vous ouvrez les portes.

### Remarque:

L'appareil atteint en 2–3 heures les températures pré-réglées (réglages usine). Pendant cette période, ne rangez pas de produits alimentaires dans l'appareil.

Pour modifier les températures pré-réglées, -> reportez-vous à la rubrique «Réglage de la température».

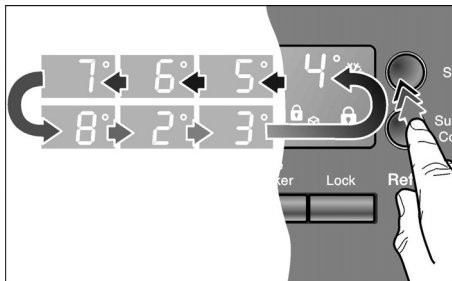
## Réglage de la température

### Appareils à bandeau de commande

- La température des compartiments réfrigérateur et congélateur est réglable séparément. La valeur réglée s'affiche sur le bandeau.
- A la fabrication, le compartiment réfrigérateur a été réglé sur **4 °C**.
- A la fabrication, le compartiment congélateur a été réglé sur **-19 °C**.

Pour modifier les valeurs:

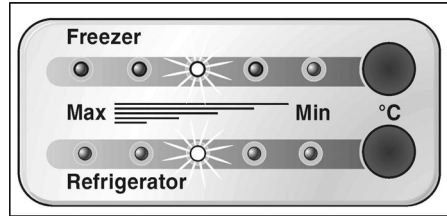
- Appuyez sur la touche de réglage jusqu'à ce que la température voulue s'affiche.



Le système mémorise la valeur affichée en dernier.

### Appareils à commande de la température

- L'appareil dispose d'une commande de température séparée pour le compartiment réfrigérateur et le compartiment congélateur.
- Le compartiment réfrigérateur et le compartiment fraîcheur ont, à la fabrication, été réglés sur une température moyenne.

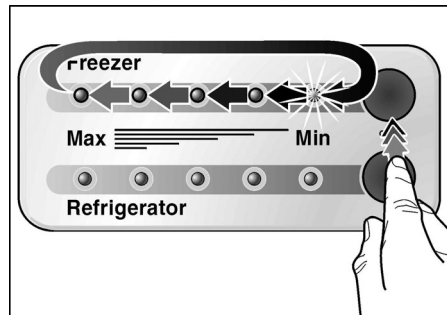


### Remarque:

Les 5 LED couvrent toute la plage de températures du compartiment correspondant. Ainsi par exemple, elles vont de +2 °C à +8 °C pour le compartiment fraîcheur.

Pour modifier les valeurs:

- Appuyez sur touches de réglage jusqu'à ce que le réglage souhaité soit atteint.



Les températures s'affichent successivement, de la plus basse à la plus élevée. Une fois affichée la température la plus élevée, l'affichage passe à celle de la température la plus basse.

## Arrêt et remisage de l'appareil

### Coupure de l'appareil

- Débranchez la fiche mâle de la prise de courant.

### Remisage de l'appareil

Si l'appareil doit rester longtemps sans servir :

- Sortez tous les produits alimentaires de l'appareil.
- Fermez l'arrivée d'eau.
- Videz le bac à glaçons (voir «Nettoyage de l'appareil»).
- Prélevez l'eau potable restante.
- Débranchez la fiche mâle de la prise de courant.
- Sortez le filtre à eau.

### Remarque:

Lors de la remise en service, incorporez un filtre à eau neuf.

- Nettoyez l'intérieur de l'appareil (voir «Nettoyage de l'appareil»).

Pour éviter l'apparition de mauvaises odeurs, laissez les portes ouvertes.

**S'il y a un risque de gel, chargez un spécialiste de vidanger le réservoir d'eau affecté au distributeur d'eau (voir les instructions d'installation).**

### Remarque importante en cas de déménagement

Enlevez toutes les pièces facilement amovibles et emballez chacune d'elles soigneusement. Transportez l'appareil à la verticale après avoir sécurisé les portes et les trappes avec du ruban adhésif.

## Fonctions

### Alarme relative à la porte

Si vous laissez une porte de l'appareil ouverte, un signal d'alarme retentit au bout d'une minute pendant cinq minutes. Il se désactive une minute puis se réactive 5 minutes et ainsi de suite.

### Coupure automatique de l'éclairage intérieur

Si une porte est restée ouverte plus de 10 minutes, l'éclairage intérieur s'éteint automatiquement pour empêcher toute surchauffe. Ceci permet aussi d'économiser de l'énergie.

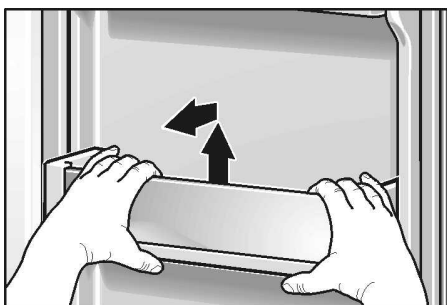
## Agencement variable du compartiment intérieur

Vous pouvez modifier à volonté l'agencement des clayettes dans le compartiment et des bacs en contreporte:

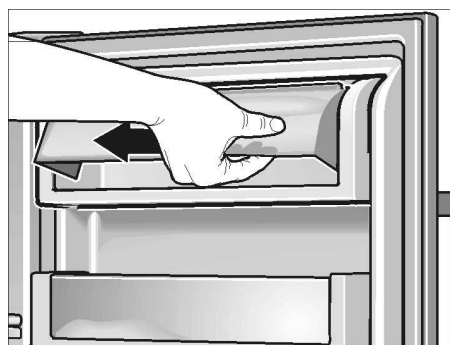
- Tirez la clayette à vous puis extrayez-la.



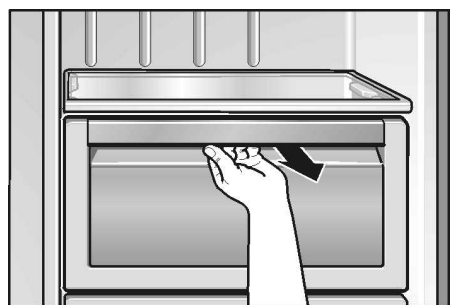
- Soulevez le bac puis sortez-le.



- Soulevez légèrement le couvercle du casier à beurre et à fromage, appuyez à gauche puis retirez-le.



- Tirez les tiroirs à vous, soulevez-les légèrement puis sortez-les.



## Compartiment réfrigérant

La température du compartiment réfrigérant est réglable entre +2 °C et +8 °C. Nous vous recommandons de régler la température sur +4 °C.

### Utilisation du compartiment réfrigérant

Vous pouvez ranger les pâtisseries, plats précuisinés, conserves, lait condensé, le fromage dur, les fruits et légumes craignant le froid, les agrumes dont par ex. les mandarines ; les bananes, ananas, melons, avocats, papayes, fruits de la passion, aubergines, laisser aussi les fruits finir de mûrir ; rangez également dans ce tiroir les tomates, concombres, tomates vertes, pommes de terre.

## Consignes de rangement à respecter :

- Placez les produits à décongeler dans le compartiment réfrigérant.
- L'air ne doit pas pénétrer dans l'emballage pour que les aliments ne perdent pas leur goût ni ne sèchent pas.
- les huiles et graisses n'entrent pas en contact avec les pièces en plastique et le joint de la porte.
- Conserver les alcools concentrés uniquement fermés et placés debout. De plus, ne jamais ranger de matières explosives dans l'appareil. Risque d'explosion !

## «super»-réfrigération

Cette fonction sert à réfrigérer rapidement les produits alimentaires ou les boissons qui doivent séjourner dans le compartiment réfrigérant. Lorsque la fonction de super-réfrigération est active, la température baisse le plus fortement possible dans le compartiment réfrigérant.

- Appuyez sur la touche **super**.



Chaque fois que vous appuyez sur la touche, la fonction s'active ou se désactive. La fonction activée «Superréfrigération» est signalée par le symbole correspondant sur le bandeau d'affichage.

## Minibar

(selon le modèle)

Il permet de retirer rapidement des boissons et assimilées présentes dans le compartiment réfrigérateur sans devoir ouvrir la porte de ce dernier.



## Compartiment fraîcheur

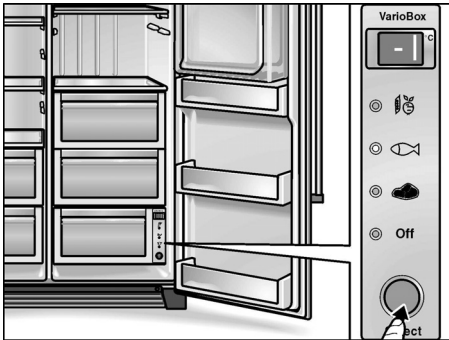
(selon le modèle)

Dans ce compartiment, la température est maintenue proche de 0 °C. Ceci offre des conditions de stockage optimales aux produits frais.

Pour stocker les produits alimentaires de façon optimale :

- A l'aide de la touche de sélection, choisissez le produit voulu (légume / poisson / viande)

La sélection est confirmée par l'allumage de la LED et l'affichage de la température correspondante.



### Remarque :

- Sur la position «Off», ce compartiment prend la température du compartiment d'en face.
- La température affichée est une température de consigne. Celle qui règne réellement dans le compartiment fraîcheur peut en différer légèrement.

## Produits non-adaptés au compartiment fraîcheur :

- Fruits et légumes craignant le froid (agrumes, avocats, papayes, fruits de la passion, aubergines, concombres, poivrons)
- Fruits finissant de mûrir (tomates vertes, bananes)
- Pommes de terre
- Fromage dur

## Attention lors de l'achat de produits alimentaires :

C'est la fraîcheur des produits alimentaires le jour de leur achat qui détermine leur durée de conservation. Principe fondamental : plus les produits arrivent frais dans le compartiment fraîcheur et plus ils se conserveront longtemps. Lors de vos achats, vérifiez toujours le degré de fraîcheur des produits.

## Durées de stockage (à 0 °C):

### suivant la qualité de départ

Saucisses, charcuterie en tranches, viande rouge, abats, poisson, lait frais, fromage blanc	jusqu'à 7 jours
---	-----------------

Viande en petits morceaux, saucisses à griller, champignons, salades, légumes à feuilles	jusqu'à 10 jours
--	------------------

Viande en gros morceaux, plats pré-cuisinés	jusqu'à 15 jours
---	------------------

Charcuterie fumée ou salée, choux	jusqu'à 20 jours
-----------------------------------	------------------

Viande en gros morceaux, viande de bœuf, de gibier après traitement à la chaleur, légumes secs	jusqu'à 30 jours
--	------------------

## Compartiment congélateur

La température du compartiment congélateur est réglable entre -16 °C et -22 °C. Nous vous recommandons de régler la température sur -18 °C.

Servez-vous du compartiment congélateur pour :

- Sert à ranger des produits surgelés
- Congeler des produits alimentaires
- Confectionner des glaçons

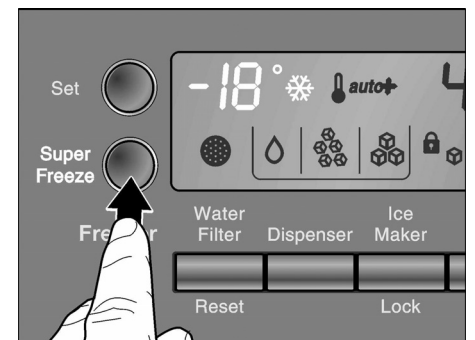
### Remarque:

Veillez à ce que la porte du compartiment congélateur soit toujours fermée. Si cette porte reste ouverte, les produits surgelés dégèleront. Le compartiment réfrigérateur se couvrira de givre. En outre, vous gaspillez de l'énergie vu la forte consommation de courant.

## «super»-congélation

La supercongélation sert à surgeler de grandes quantités d'aliments frais. Vous devrez l'enclencher jusqu'à 24 heures avant de ranger ces aliments frais. Pendant la supercongélation, la température devient très basse dans le compartiment congélateur.

- Appuyez sur la touche **super**.



Le fait d'appuyer sur cette touche active ou désactive la fonction. Pour indiquer que la supercongélation s'est activée, le symbole correspondant apparaît sur le bandeau.



## Congélation et rangement

### Ranger des produits surgelés

Au moment d'acheter des produits surgelés, tenez compte de ce qui suit :

- Vérifiez si l'emballage est endommagé.
- Vérifiez la date limite de consommation recommandée.
- La température indiquée par le thermomètre du congélateur commercial doit être de  $-18\text{ °C}$  minimum. Si ce n'est pas le cas, la durée de conservation des produits surgelés diminue en conséquence.
- Achetez les produits surgelés en dernier. Emballez-les dans du papier journal ou utilisez un sac isotherme pour le transport.
- Une fois revenu chez vous, rangez les produits surgelés immédiatement dans le compartiment congélateur. Consommez les produits surgelés avant la date limite de conservation
- Ne recongelez jamais les aliments qui ont dégelé. Exception : si vous transformez les aliments en plat cuisiné (cuit ou rôti), vous pourrez dans ce cas recongeler ce plat.

### Congeler soi-même les aliments

Pour congeler les aliments, n'utilisez que des aliments frais et d'un aspect impeccable. Emballez les aliments hermétiquement pour éviter qu'ils ne perdent leur saveur ou se dessèchent. Les aliments doivent congeler à cœur aussi vite que possible pour qu'ils conservent vitamines, valeur nutritive, aspect et goût.

### Pour emballer correctement :

- Placez les aliments dans l'emballage.
- Chassez complètement l'air de l'emballage.
- Obturez l'emballage hermétiquement.
- Inscrivez sur l'emballage le nom du contenu et la date de congélation.

### Emballages inadaptes :

Le papier d'emballage, le papier sulfurisé, les feuilles de cellophane, les sacs poubelles et les sacs en plastique ayant déjà servi.

### Emballages corrects:

Feuilles en plastique, feuilles-boyaux en polyéthylène, feuilles d'aluminium, boîtes de congélation. Vous trouverez ces produits dans le commerce spécialisé.

### Pour obturer les emballages, utilisez des :

Caoutchoucs, clips en plastique, ficelles, rubans adhésifs résistants au froid, ou assimilés.

Vous pouvez obturer les sachets et les feuilles en polyéthylène au moyen d'une thermosoudeuse.

### Capacité de congélation

Vous pouvez congeler jusqu'à 10 kg de produits alimentaires en 24 heures.

### Durée de conservation des produits surgelés

La durée de stockage dépend de la nature de l'aliment.

A une température de surgélation moyenne, les durée de conservation suivantes s'appliquent :

Poisson, charcuterie, plats pré-cuisinés, pâtisseries	jusqu'à 6 mois
Fromage, volaille, viande	jusqu'à 8 mois
Fruits et légumes	jusqu'à 12 mois

### Décongélation des produits

Selon la nature et l'utilisation des produits surgelés, vous pouvez choisir entre plusieurs possibilités:

A la température ambiante,

Dans le réfrigérateur,

– Dans le four électrique avec/sans le ventilateur pour chaleur tournante

– Dans le micro-ondes.

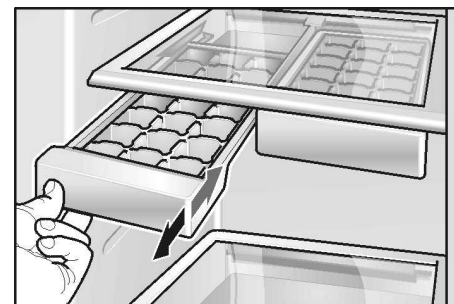
#### Remarque

Ne remettez pas à congeler des produits alimentaires partiellement ou entièrement décongelés. Ne recongelez les produits qu'après les avoir transformés (cuisson ou rôtissage).

Dans ce cas, consommez-les nettement avant la date limite de conservation.

## Préparation de glaçons

(Appareils sans distributeur de glaçons)



- Remplissez le bac à glaçons aux  $\frac{3}{4}$  avec de l'eau, puis placez-le dans le compartiment congélateur.
- Pour enlever les glaçons du bac, passez-le brièvement sous l'eau du robinet ou déformez légèrement le bac.

## Distributeur automatique de glaçons et d'eau

Vous pouvez prélever, suivant besoins:

- de l'eau réfrigérée
- des glaçons
- de la glace pilée (Crush-ice)

### ⚠ Attention !

**Pour prélever de l'eau ou de la glace, n'utilisez pas de récipients fragiles – Risque de blessures en cas de bris de verre !**

**N'introduisez pas les doigts dans l'orifice d'éjection. Risque de vous blesser avec les lames du dispositif pilant la glace !**

#### Remarque:

Le distributeur de glace et d'eau ne fonctionne que si l'appareil est raccordé au réseau d'eau.

### Consignes importantes lors de la mise en service de l'appareil neuf

Après le raccordement, les conduites contiennent encore des bulles d'air.

Prélevez de l'eau et jetez-la jusqu'à ce qu'elle sorte sans bulles. Jetez le contenu des 5 premiers verres.

Si vous utilisez le distributeur de glaçons pour la première fois, n'utilisez pas, pour des motifs d'hygiène, les 30 à 40 premiers glaçons.



## Remarques concernant le fonctionnement du distributeur de glaçons

Une fois que le compartiment congélateur a atteint la température de congélation, l'eau afflue dans ce distributeur et se solidifie dans ses compartiments pour former des glaçons. Les glaçons finis sont automatiquement transférés dans le bac à glaçons.

Parfois, plusieurs glaçons à la fois s'accumulent sur le côté. Ils se détachent généralement d'eux-mêmes pendant leur transfert vers l'orifice de distribution.

Une fois que le distributeur de glaçons est plein, la préparation de glaçons cesse automatiquement.

Le distributeur de glaçons est en mesure de préparer 100 glaçons en 24 heures.

**Ne mettez jamais de bouteilles ou produits alimentaires dans le distributeur de glaçons pour les faire refroidir rapidement. Il risquerait de se bloquer et de s'endommager.**

Après la mise en service de l'appareil, il faut env. 24 heures pour que les premiers glaçons soient prêts.

Lors de la confection des glaçons, on entend le bourdonnement de l'électrovanne à eau, l'afflux d'eau dans le bac à glaçons et la chute des glaçons.

## Qualité de l'eau potable

Tous les matériaux utilisés dans le distributeur de boisson sont inodores et sans saveur.

Si l'eau devait avoir un goût, les raisons peuvent être les suivantes:

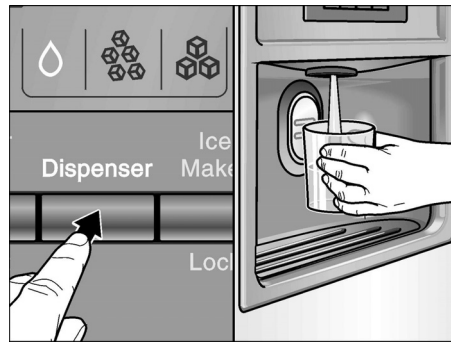
- Teneur de l'eau potable en sels minéraux et en chlore.
- Matériau de la conduite d'adduction d'eau à la maison ou de raccordement.
- Fraîcheur de l'eau potable (si vous êtes resté longtemps sans prélever de l'eau, l'eau peut avoir un goût «pas frais». Dans ce cas, soutirez l'équivalent de 15 verres et jetez leur contenu).

Vous pouvez intercaler le filtre à eau ci-joint sur la conduite d'arrivée si l'eau a un goût et une odeur.

**Le filtre à eau ci-joint filtre exclusivement les particules en suspension dans l'eau entrante, mais il ne retient pas les bactéries ni les microbes.**

## Prélèvement d'eau

- Appuyez sur la touche jusqu'à ce que le symbole s'allume.



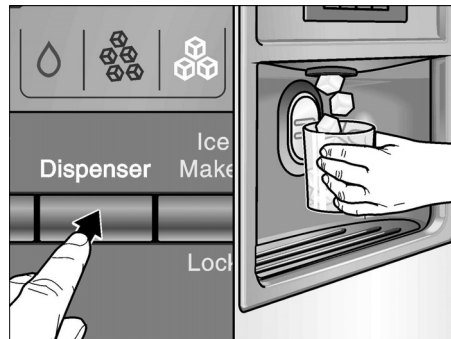
- Appuyez le verre contre le plot de prélèvement. Le prélèvement cesse lorsque vous cessez d'appuyer.

### Un conseil :

L'eau sortant du distributeur d'eau se trouve à une température fraîche adaptée à sa dégustation. Si vous voulez de l'eau plus froide, mettez quelques glaçons dans le verre avant d'en prélever.

## Prélèvement de glaçons

- Appuyez sur la touche jusqu'à ce que le symbole des glaçons ou de la glace pilée (Crush-Ice) s'allume.



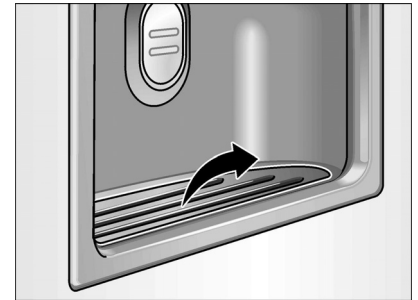
- Placez un récipient approprié contre le plot de prélèvement.

### Remarque :

- Cessez d'appuyer le récipient contre le plot dès qu'il s'est rempli à moitié. La glace présente dans l'orifice d'éjection peut faire déborder le récipient ou bloquer l'orifice d'éjection.
- Après commutation du prélèvement de glaçons sur celui de glace pilée, des glaçons ou morceaux de glaçons peuvent encore se trouver dans le distributeur. Ces morceaux sont fournis par le distributeur avec les premières quantités de glace pilée.

## Retirer et nettoyer le bac de récupération d'eau

L'eau renversée afflue dans le bac de récupération. Vous pouvez le retirer pour le vider et le nettoyer.



## Retirer et nettoyer le bac à glaçons

Si vous n'avez pas prélevé de glaçons pendant une période prolongée, ceux déjà confectionnés rapetissent, perdent leur fraîcheur et collent entre eux.

- Sortez le bac, videz-le et nettoyez-le à l'eau tiède.
- Essuyez bien le bac et la vis transporteuse sans fin avec un essuie-tout sec pour que les nouveaux glaçons ne viennent pas coller contre la surface mouillée.

## Mis en place du bac à glaçons

- Poussez le bac à glaçons complètement à l'arrière sur les surfaces, jusqu'à ce qu'il encoche.

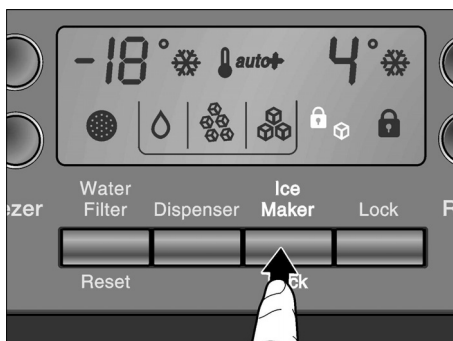


- Si le bac refuse de se laisser pousser complètement jusqu'au fond, tournez un peu la vis sans fin de transport dans le réservoir.

La production de glaçons continue.

## Désactivation du distributeur de glaçons

Si vous prévoyez de ne pas prélever de glaçons pendant plus d'une semaine (période de vacances par ex.), il faudrait désactiver temporairement le système de préparation des glaçons pour empêcher que les glaçons ne se soudent et forment un bloc.



- Appuyez sur la touche de verrouillage «Distributeur de glaçons». Le symbole s'allume.
- Retirez le bac à glaçons, videz-le puis remettez-le en place. Veillez à ce que le bac encoche bien sur sa surface d'appui.

Pour le remettre en service:

- Appuyez sur la touche de verrouillage «Distributeur de glaçons». Le symbole s'éteint.

## Economies d'énergie

- Placez votre appareil dans un endroit frais et bien aéré. Veillez à ce qu'il ne soit pas exposé aux rayons solaires et qu'il ne se trouve pas à proximité d'une source de chaleur (radiateur etc.). Utilisez le cas échéant une plaque isolante.
- Attendez que les boissons et aliments chauds aient refroidi à la température de la pièce avant de les ranger dans le compartiment congélateur.
- Vous pouvez utiliser le froid qu'ils ont emmagasiné pour refroidir les aliments stockés dans le réfrigérateur. Vous profitez ainsi de leur excédent de froid pour refroidir les aliments déjà présents dans ce compartiment.
- Ouvrez le moins possible les portes de l'appareil lorsque vous mettez ou prenez des aliments.

## Bruits de fonctionnement

### Bruits parfaitement normaux

**Bourdonnements étouffés** : ces bruits normaux se font entendre pendant que le compresseur est en marche. Le ventilateur du système de circulation d'air fonctionne.

**Gargouillis, clapotis légers ou bourdonnements** – Du fluide réfrigérant circule dans les serpentins. Eau en train d'affluer dans le distributeur de glaçons.

**Cliquetis** – ils sont audibles lorsque le moteur se met en marche ou s'arrête. L'électrovanne située sur le raccordement de l'eau s'ouvre et se ferme.

**Bruit de chute** – Les glaçons finis de se solidifier chutent du distributeur dans le bac.

### Bruits faciles à supprimer

#### L'appareil ne repose pas d'aplomb

Vérifiez l'horizontalité de l'appareil à l'aide d'un niveau à bulle. Ajustez ensuite l'horizontalité par les pieds à vis ou placez un objet dessous.

### L'appareil touche quelque chose.

Eloignez l'appareil de meubles ou d'appareils voisins.

### Des tiroirs, paniers ou surfaces de rangement vibrent ou se coincent

Vérifiez les pièces amovibles puis remettez-les en place correctement.

### Des récipients se touchent

Eloignez légèrement les bouteilles ou récipients les uns des autres.

## Si vous dégivrez l'appareil

La décongélation a lieu automatiquement.

L'eau issue de la décongélation coule en direction du bac d'évaporation contre la paroi arrière du réfrigérateur et s'évapore ensuite automatiquement.

## Nettoyage de l'appareil

- **Attention :** débranchez la fiche mâle de la prise secteur ou coupez le fusible / disjoncteur !
- Ne nettoyez le joint de porte qu'avec de l'eau claire puis essuyez-le à fond avec un chiffon sec.
- Nettoyez l'appareil avec de l'eau tiède additionnée de produit à vaisselle. Cette eau ne doit pas pénétrer dans le bandeau de commande ou l'éclairage.

Lorsque vous sortez les clayettes en verre, elles sont très froides. Ne les plongez pas directement dans de l'eau de vaisselle très chaude.

Ne nettoyez jamais les clayettes et les bacs au lave-vaisselle.

Ces pièces pourraient se déformer.

- Après le nettoyage : rebranchez la fiche mâle dans la prise de courant ou réarmez le disjoncteur / remettez le fusible en place.

### **⚠ Attention !**

**Ne touchez pas les produits surgelés avec les mains nues. Elles risqueraient de rester collées dessus. Risque de blessures.**

Ne dégivrez ni ne nettoyez jamais l'appareil avec un nettoyeur à vapeur. La vapeur risque d'atteindre des pièces électroconductrices de l'appareil et de provoquer un court-circuit ou vous faire électrocuter. La vapeur peut endommager les surfaces en plastique.

## Remédier soi même aux petites pannes

### Avant d'appeler le service après-vente (SAV):

Vérifiez svp si vous ne pouvez pas remédier vous-même au dérangement à l'aide des instructions qui suivent. Si vous faites venir le technicien, ses conseils vous seront facturés, même pendant la période de garantie!

### Compartiments réfrigérateur et congélateur:

Dérangement	Cause possible	Remède
L'appareil ne refroidit pas. L'éclairage intérieur est éteint.	Coupure de courant ; disjoncteur disjoncté ; fiche mâle pas complètement branchée dans la prise.	Vérifiez si la prise est sous tension. Le disjoncteur doit se trouver en position armée.
Le groupe frigorifique s'enclenche de plus en plus souvent et longtemps.	Vous avez ouvert fréquemment la porte.	N'ouvrez pas la porte inutilement.
	Vous avez mis une assez grande quantité d'aliments à congeler.	Ne dépassez pas la capacité de congélation maximale.
Les orifices d'apport et d'évacuation d'air sont recouverts par des objets faisant obstacle.	Les orifices d'apport et d'évacuation d'air sont recouverts par des objets faisant obstacle.	Enlevez ces obstacles.
	La température est trop basse dans le compartiment réfrigérateur ou congélateur.	Vous avez réglé la température trop basse.
Les aliments congelés sont collés entre eux ou contre une paroi.		Détachez-les à l'aide d'un objet émoussé. Ne les détachez pas avec un couteau ou un objet pointu.
Le compartiment congélateur présente une épaisse couche de givre.		Veillez toujours à ce que les portes de l'appareil soient fermées.

Dérangement	Cause possible	Remède
L'éclairage intérieur ne fonctionne pas:	L'ampoule est grillée.	Changez l'ampoule (voir «Changement d'ampoule»)
	L'interrupteur de l'éclairage est coincé.	Vérifiez s'il peut s'enfoncer.
Le compartiment congélateur n'atteint plus la température réglée	La porte compartiment congélateur est restée longtemps ouverte. L'évaporateur (générateur de froid) est tellement givré que le système de décongélation automatique ne parvient pas à résorber la quantité de givre présente.	Sortez les produits congelés de l'appareil et rangez-les bien isolés dans un endroit frais. Au bout de 12 heures environ, la glace a fondu dans le système de réfrigération. Réenclenchez l'appareil puis rangez les produits congelés. <b>Remarque!</b> N'ouvrez pas la porte du compartiment réfrigérateur inutilement. Vous éviterez ainsi une déperdition du froid. Si les consignes précédemment énoncées ne vous permettent pas de supprimer le dérangement, veuillez toujours contacter le service après-vente.

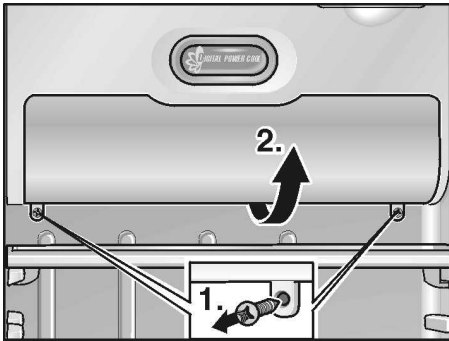
## Distributeur d'eau et de glaçons

Dérangement	Cause possible	Remède
Bien que l'appareil fonctionne déjà depuis longtemps, il n'a produit encore aucun glaçon.	Robinet d'eau fermé.	Ouvrez le robinet d'eau.
	Alimentation en eau coupée. Pression de l'eau trop faible.	Prévenez l'installateur.
	Distributeur de glaçons verrouillé. Le symbole du cadenas est allumé.	Appuyez sur la touche de verrouillage «Distributeur de glaçons».
	Température trop élevée dans le compartiment congélateur.	Réduisez la température dans le compartiment congélateur (voir «Réglage de la température»)
Il y a des glaçons dans le bac à glaçons mais ils ne descendent pas.	Les glaçons se sont soudés entre eux.	Retirez le bac à glaçons et videz-le.
Les glaçons se sont coincés à la sortie du bac à glaçons ou dans le broyeur de glace.		Retirez le bac à glaçons et faites tourner la vis sans fin de transport à la main. Avec un bâtonnet en bois, détachez les glaçons éventuellement coincés.
Les glaçons sont à moitié dégelés.	Les glaçons ont dégelé à un certain moment à la suite d'une panne de courant, ou la porte du compartiment congélateur n'était pas correctement fermée.	Retirez le bac à glaçons, videz-le puis essuyez-le bien pour le sécher.
Les glaçons diminuent de volume par évaporation.		L'air froid qui s'écoule sur les glaçons provoque leur rapetissement. Ce phénomène, normal, se manifeste surtout si vous en prélevez peu.
La trappe du distributeur de glaçons ne ferme pas correctement.	Des glaçons l'empêchent de se fermer.	Retirez les glaçons.
Des glaçons adhèrent dans le bac à glaçons.	Des dépôts de tartre provenant de l'eau peuvent se former contre la paroi des bacs.	Humectez un chiffon avec du vinaigre et essuyez les bacs. Si les dépôts sont épais, nettoyez les bacs chaque fois que vous nettoyez le compartiment réfrigérateur.
Les glaçons sont inégaux et il y a de l'eau dans le bac à glaçons.	L'appareil n'est pas d'aplomb.	Mettez l'appareil d'aplomb en vous servant d'un niveau à bulle et de ses roulettes et pieds à vis réglables en hauteur (voir les instructions d'installation).
Le distributeur d'eau ne fonctionne pas.	Robinet d'eau fermé.	Ouvrez le robinet d'eau
	Alimentation en eau coupée. Pression de l'eau trop faible.	Prévenez l'installateur.
	Température trop élevée dans le compartiment congélateur.	Réduisez la température dans le compartiment congélateur (voir «Réglage de la température»)

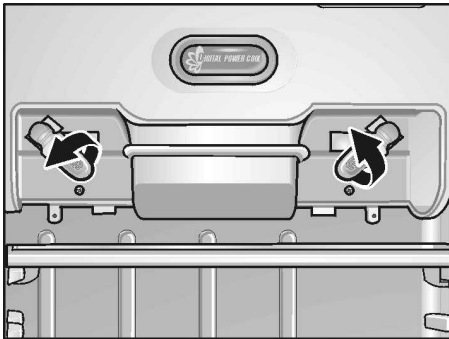
## Changement d'ampoule

### Changer l'ampoule du compartiment réfrigérateur

- **Attention** : débranchez la fiche mâle de la prise secteur ou coupez le fusible / disjoncteur !
- Défaites les 2 vis situées en dessous du cache-lampe puis retirez ce dernier.



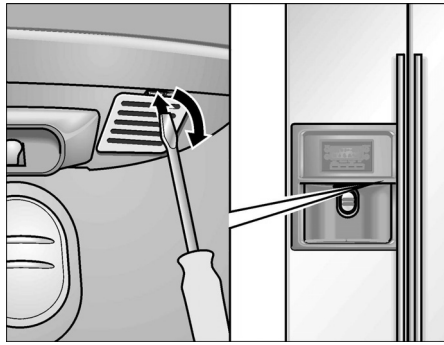
- Changez l'ampoule. ampoule de rechange 25 W max., 220–240 V, courant alternatif, culot E14.



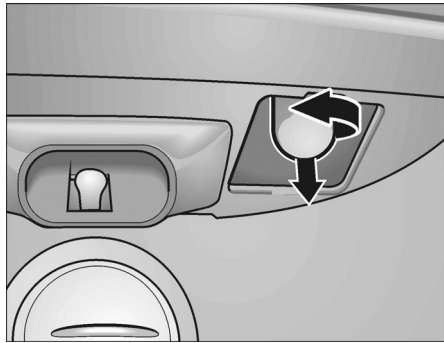
- Remontez le cache-lampe.

### Changer l'ampoule du distributeur d'eau et de glaçons

- **Attention** : débranchez la fiche mâle de la prise secteur ou coupez le fusible / disjoncteur !
- Soulevez le cache-lampe à l'aide d'un tournevis.



- Changez l'ampoule. ampoule de rechange 15 W max., 220–240 V, courant alternatif, culot E14.



- Posez le recouvrement.

## Changer le filtre à eau

Vous pouvez vous procurer un filtre neuf par le biais du service après-vente. Il porte le n° de réf. 497818.

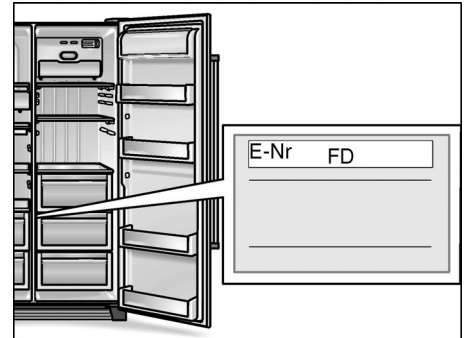
- **Attention** : débranchez la fiche mâle de la prise secteur ou coupez le fusible / disjoncteur !
- Fermez le robinet d'eau de l'appareil.
- Retirez le filtre épuisé du support de filtre puis débranchez les conduites de raccordement.
 

**Prudence !** ne déposez pas les conduites au sol. L'eau restée dans l'appareil et dans les conduites peut couler.
- Raccordez un filtre neuf aux conduites. Tenez du compte du sens de circulation de l'eau dans le filtre. Ce sens est imprimé dessus.
- Introduisez le filtre dans son support.

## Appeler le service après-vente

Pour connaître le service après-vente situé le plus près de chez vous, consultez l'annuaire téléphonique ou le répertoire des services après-vente (SAV). Veuillez indiquer au SAV le numéro de série (E-Nr.) de l'appareil et son numéro de fabrication (FD-Nr.).

Vous trouverez ces indications sur la plaque signalétique



Aidez-nous à éviter des déplacements inutiles : indiquez les numéros de série et de fabrication. Vous économiserez ainsi des suppléments de frais inutiles.



# Instructions d'installation

## Remarque importante :

Ces instructions d'installation valent pour plusieurs modèles.

Certains des modèles ne requièrent pas les étapes de travail décrites ici.

**L'installation et le raccordement de cet appareil sont des opérations réservées à une spécialiste agréé.**

**Réalisez le raccordement de l'eau impérativement avant celui de l'électricité.**

**Outre les prescriptions légales en vigueur dans votre pays, veuillez aussi respecter les règlements publiés par les compagnies distribuant l'électricité et l'eau dans votre localité.**

**Veuillez conserver les présentes instructions d'installation.**

## Lieu d'installation

### Attention :

L'appareil est très lourd. Pour connaître son poids à vide, reportez-vous au tableau suivant.

Version de base	104 kg
Version à distributeur	113 kg
Version à minibar	115 kg

Un local sec et aérable convient comme lieu d'installation. Évitez de placer l'appareil à un endroit directement exposé aux rayons solaires ou à proximité d'une source de chaleur telle une cuisinière, un radiateur, etc. Si l'installation près d'une source de chaleur est inévitable, utilisez une plaque isolante appropriée ou respectez les distances minimales suivantes:

- 3 cm par rapport à une cuisinière électrique,
- 30 cm par rapport aux chaudières à fuel et à charbon.

Le sol sur l'emplacement de l'appareil ne doit pas s'affaisser. Vous devrez le cas échéant renforcer le sol. L'appareil est très lourd (env. 145 kg à vide). Une fois rempli, il peut atteindre 400 kg). Afin que le distributeur de glaçons fonctionne impeccablement, l'appareil doit se trouver parfaitement à la verticale. Il faudra respecter les écarts latéraux minimum si l'appareil se trouve dans un coin ou dans une cavité aménagée dans un mur et pour pouvoir ouvrir les portes jusqu'à la butée (voir la section «Dimensions de l'appareil et cotes d'encastrement»).

## Déballer l'appareil

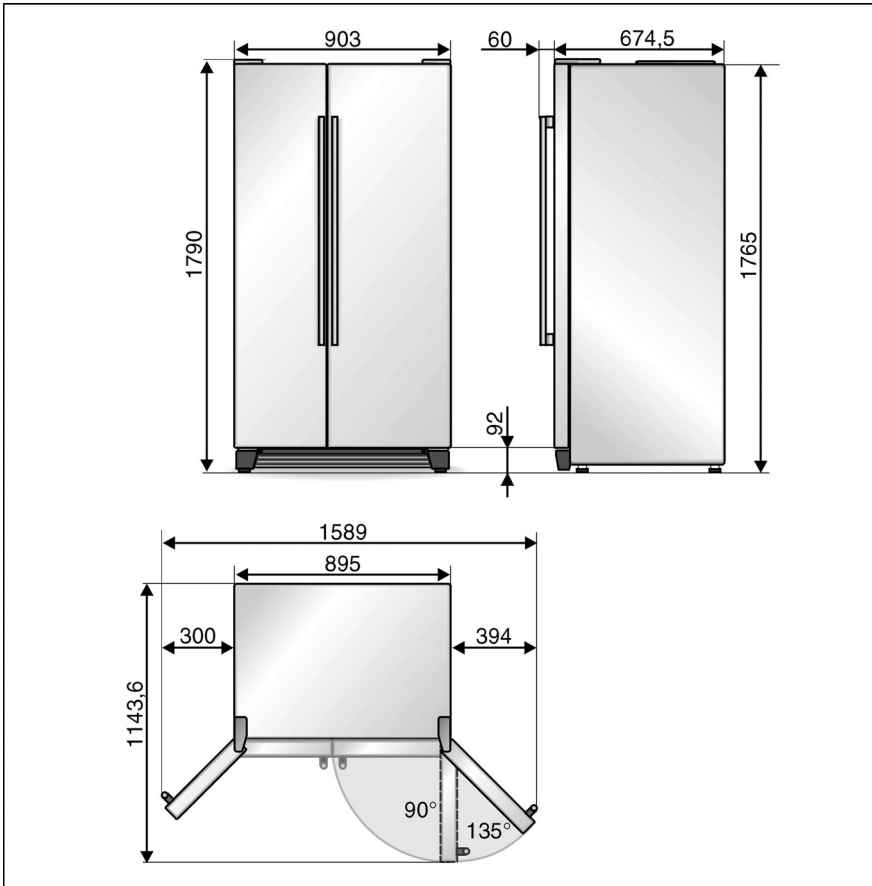
- Enlevez le matériau d'emballage et les rubans adhésifs. Vous pouvez retirer les résidus de ruban adhésif sur le corps de l'appareil à l'aide du côté collant du ruban retiré. Pour ce faire, posez le ruban plusieurs fois sur les résidus et détachez-le à nouveau.
- N'enlevez les cales de transport retenant les clayettes et balconnets qu'après l'installation.
- N'enlevez la cale de transport du distributeur de glaçons qu'après l'installation. Pour ce faire, extrayez le distributeur de glaçons.



### Attention :

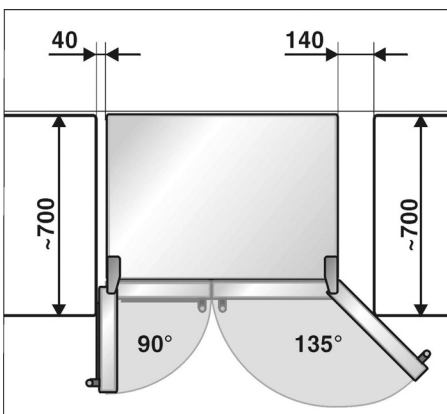
Avant de raccorder l'appareil au secteur, il faudra avoir intégralement retiré les matériaux d'emballages présents à l'intérieur et l'extérieur.

## Dimensions de l'appareil et cotes d'encombrement



Si la profondeur des équipements de cuisine voisins dépasse 60 cm, il faudra respecter des écarts latéraux minimums afin de profiter de l'angle complet d'ouverture des portes.

Angle d'ouverture des portes	Écart minimum
90°	40 mm
135°	140 mm



Si vous montez un cache ou un placard au-dessus de l'appareil, il faudra prévoir un espace libre pour pouvoir si nécessaire sortir l'appareil de la cavité.

### Dévisser les portes

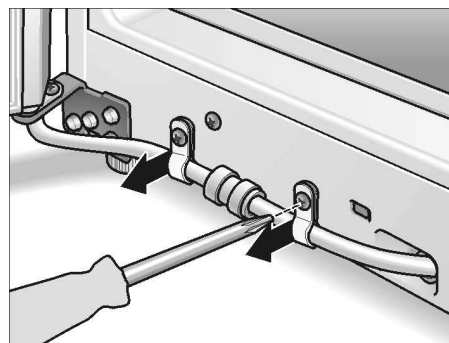
Si l'appareil ne passe pas par la porte d'entrée de votre logement, vous pouvez démonter les portes de l'appareil.

Nous recommandons de confier le montage à notre service après-vente.

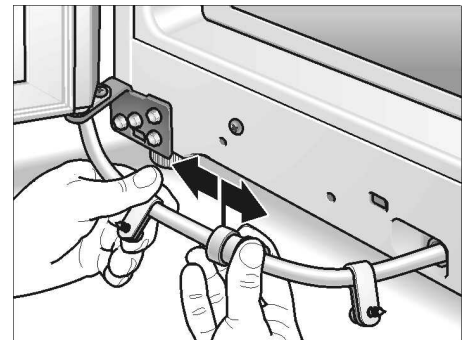
### Dévisser la porte du compartiment congélateur

- Retirez le couvercle inférieur.
- Défaites la jonction par flexible.

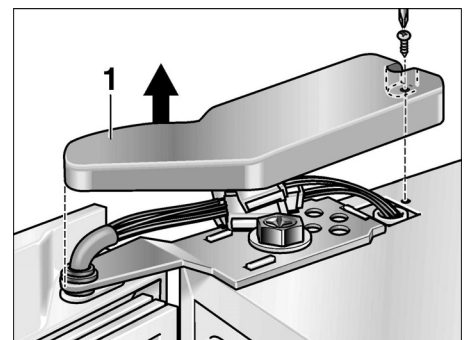
Détachez les colliers au niveau du raccordement du flexible.



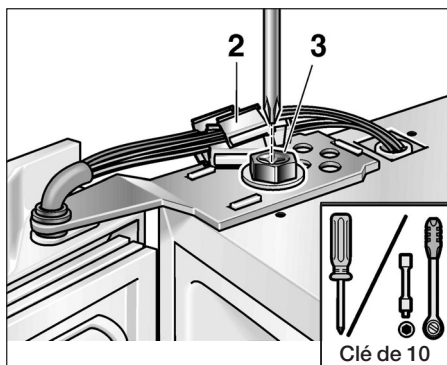
Appuyez sur l'anneau de serrage dans le sens de la flèche et détachez simultanément le flexible de son raccord.



- Retirez le couvercle à charnière supérieur (1).

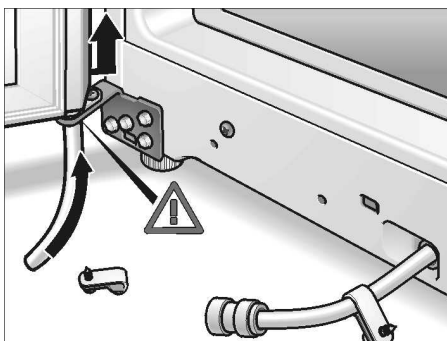


- Défaites les jonctions électriques (2).



- Dévissez les vis à charnière du haut (3). Retenez fermement la porte pendant cette opération.
- Soulevez la porte pour la dégager du pivot de charnière inférieur.

**Prudence pendant le retrait et le dépôt de la porte : veillez à ne pas endommager la conduite d'eau.**



#### Dévisser la porte du compartiment réfrigérateur

- Dévissez la porte du compartiment réfrigérateur de la même manière (la porte du compartiment réfrigérateur ne comporte ni connexions électriques ni jonctions par flexibles).

#### Attention :

Avant de remonter les portes dans l'ordre chronologique inverse, assurez-vous que l'appareil repose bien à la verticale sur le lieu d'installation.

### Raccorder l'appareil au réseau d'eau

Le raccordement de l'eau est une opération exclusivement réservée à un installateur professionnel qui respectera ce faisant les prescriptions publiées par la compagnie distributrice d'eau dans votre localité.

Raccordez l'appareil à une conduite d'eau froide.

- Pression minimum: 0,1 Mpa (1,0 bar)
- Pression maximum: jusqu'à 1,0 Mpa (10,0 bar)

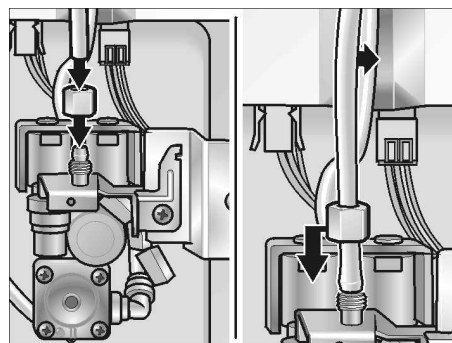
Suivant les impératifs locaux, il pourra être nécessaire d'installer un détendeur sur la conduite d'eau.

Le robinet d'eau, diamètre 3/4", destiné à raccorder la conduite de branchement ci-jointe, doit être librement accessible. Les conduites de raccordement ci-jointes mesurent 1,5 et 7 mètres de long.

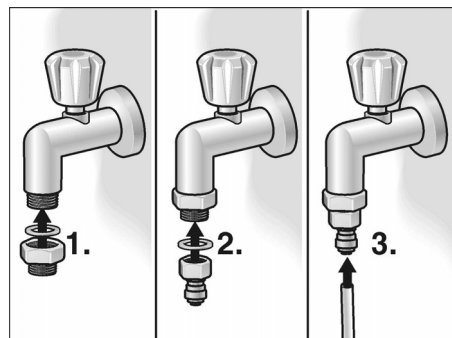
Vous pouvez intercaler le filtre à eau ci-joint sur la conduite d'arrivée si l'eau a un goût et une odeur.

#### Branchement

- Raccordez la conduite de branchement à l'électrovanne.



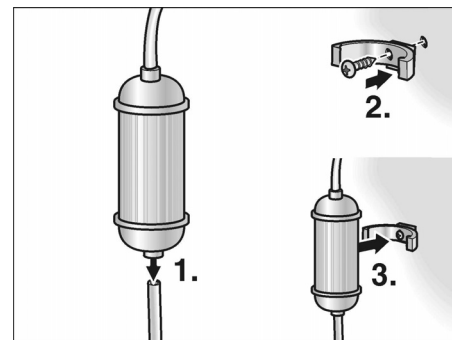
- Raccordez la conduite de branchement au robinet d'eau.



- Fixez la conduite de branchement contre la paroi arrière de l'appareil et le mur de la pièce. Servez-vous pour cela des colliers livrés d'origine.
- Posez la conduite en boucles ou en spires afin de pouvoir éloigner l'appareil du mur sans lui faire subir de tensions mécaniques.

#### Intercaler le filtre sur la conduite d'eau

- Raccordez les extrémités de la conduite de branchement au filtre (1). Tenez du compte du sens de circulation de l'eau dans le filtre. Ce sens est imprimé dessus.



- Fixez le support du filtre sur le côté gauche ou droit de l'appareil, à un endroit approprié (2) (par ex. dans un placard en soubassement), puis mettez le filtre en place (3).

#### Branchement électrique

**N'utilisez ni prolongateurs ni distributeurs. Le raccordement de cet appareil demande la présence d'une prise femelle fixe.**

La prise où est branchée l'appareil doit rester librement accessible. Branchez la fiche mâle de l'appareil dans une prise secteur en 220–240 V / 50 Hz, réglementairement reliée à la terre. La prise doit être protégée par des fusibles/disjoncteurs supportant un ampérage de 10 A ou plus.

**Sur les appareils destinés aux pays non européens, vérifiez si la tension de branchement et le type de courant spécifiés sur la plaque signalétique concordent bien avec ceux offerts par le secteur du pays concerné. La plaque signalétique se trouve en bas à gauche dans l'appareil. S'il faut changer le cordon d'alimentation secteur, ne confiez cette opération qu'à un spécialiste.**

#### ⚠ Attention !

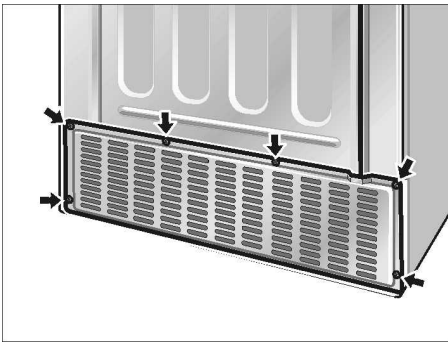
**Ne branchez en aucun cas l'appareil à une «prise économie d'énergie» électronique (par ex. Ecoboy ; Sava Plug) ni à un onduleur qui convertit le courant continu (débité par ex. par des installations solaires, par les réseaux de bord des bateaux) en courant alternatif de 230 V.**

#### Important!

Lors du montage ou du changement du cordon d'alimentation électrique, montez le frein à cordon.

## Vérifier l'étanchéité du raccordement de l'eau

- Mettez l'appareil en service en respectant le contenu de la notice d'utilisation.
- Prélevez de l'eau conformément à la notice d'utilisation. La première fois, l'eau tarde quelques secondes à sortir vu qu'il reste de l'air dans les conduites et dans le réservoir d'eau.
- Vérifiez l'étanchéité de toutes les jonctions par vis sur l'appareil et sur le raccordement de l'eau.
- Après cette vérification, débranchez à nouveau la fiche mâle de la prise de courant et montez le capot du compartiment moteur.

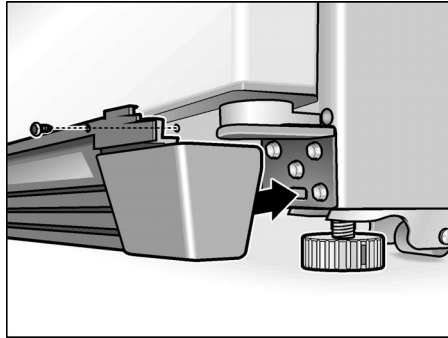


## Ajuster l'appareil

Afin que l'appareil fonctionne impeccablement, il faut l'horizontaliser à l'aide d'un niveau à bulle.

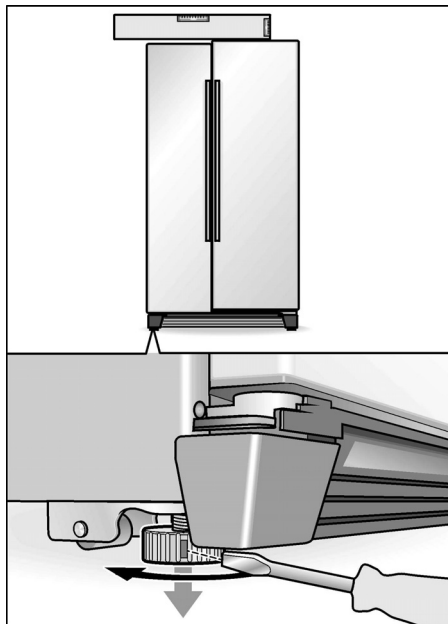
S'il n'est pas d'aplomb, l'eau risque de fuir du distributeur de glaçons, qui va produire des glaçons difformes, ou les portes risquent de ne pas bien fermer.

- Amenez l'appareil sur l'emplacement prévu.
- Fixez le bandeau de socle ci-joint à l'aide de 3 vis.

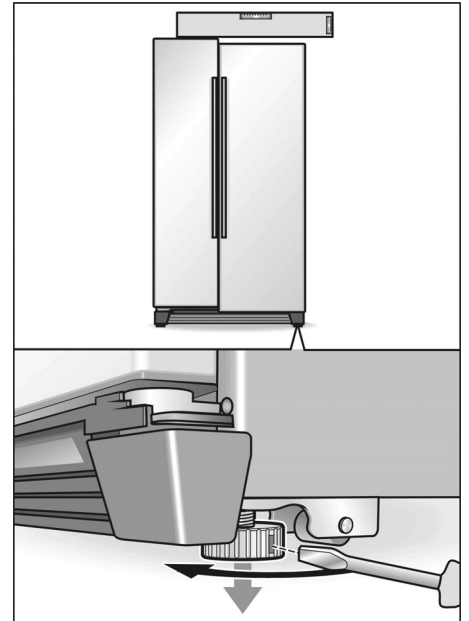


- Afin que l'appareil ne puisse pas se mettre à rouler tout seul, dévissez ses deux pieds avant jusqu'à ce qu'ils entrent fermement en contact avec le sol.
- Tournez les pieds jusqu'à ce que l'appareil soit parfaitement à l'horizontale. Servez-vous de ses portes comme indicateurs d'horizontalité.

Si la porte du compartiment congélateur se trouve plus bas:

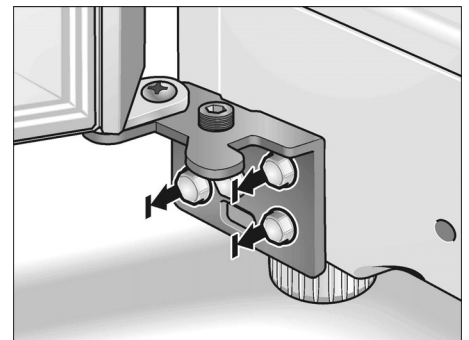


Si la porte du compartiment réfrigérateur se trouve plus bas:

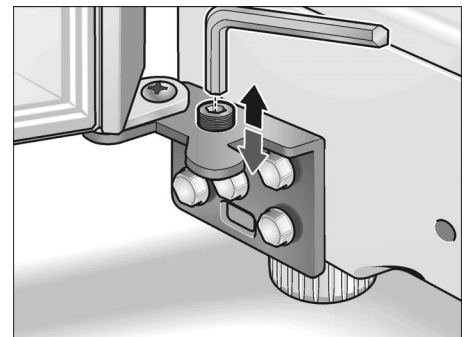


Si les étapes accomplies jusqu'à présent ne suffisent pas pour aligner correctement la porte :

- Retirez le bandeau du socle.



- Desserrez 3 vis de charnière. **Ne dévissez pas complètement les vis !**
- Introduisez la clé hexagonale dans la vis d'ajustage;

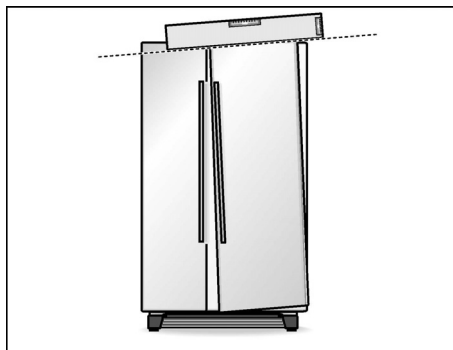


- Pour soulever une porte :  
Tournez la clé hexagonale dans le sens des aiguilles d'une montre.
- Pour abaisser une porte :  
Tournez la clé hexagonale en sens inverse des aiguilles d'une montre.

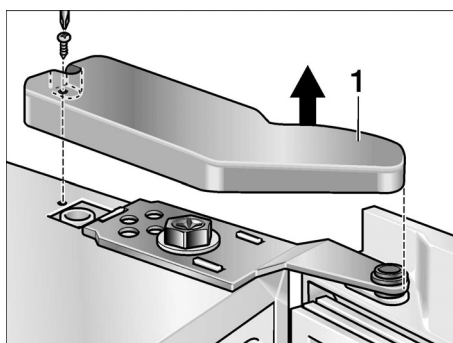


**Remarque:**

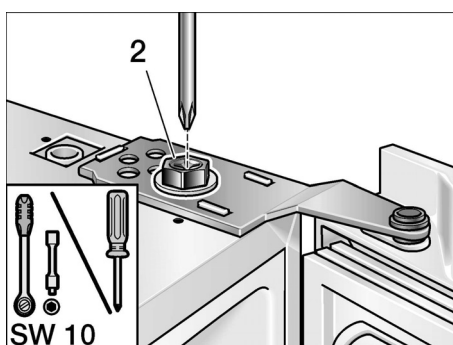
Il peut arriver que la porte du compartiment réfrigérateur s'incline, même lorsque l'appareil est bien d'aplomb ; cela est dû au poids propre de la porte et aux denrées présentes en contre-porte. L'interstice de porte n'est pas le même en haut et en bas.



- Retirez le couvercle à charnière supérieur (1).



- Dévissez les vis de charnière (2).  
**Ne dévissez pas la vis complètement.**



- Adaptez l'inclinaison de la porte du compartiment réfrigérateur.
- Revissez la vis de charnière à fond.
- Fixez les couvercles des charnières.

**Mise en service de l'appareil**

Mettez l'appareil en service en respectant le contenu de la notice d'utilisation.

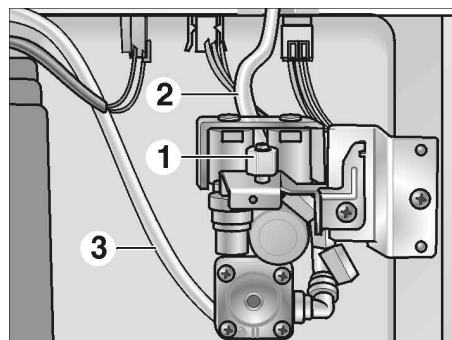
**Remisage de l'appareil**

Mettez l'appareil hors service conformément à la notice d'utilisation ci-jointe.

Si vous voulez mettre l'appareil hors service ou le ranger à un endroit dont la température descend en-dessous du point de congélation, il faudra vider le réservoir équipant le distributeur d'eau.

**Vider le réservoir d'eau dans l'appareil**

- **Débranchez la fiche mâle de la prise de courant.**
- Fermez le robinet d'eau de l'appareil.
- Au dos de l'appareil, retirez le capot du compartiment machine.
- Dévissez la conduite de branchement (1).
- Sous la vanne de raccordement, placez un bac de récupération plat (contenance: 3 litres env.).



- Sur la vanne de raccordement de l'appareil, dévissez les flexibles (2) et (3) les uns après les autres, videz-les et revissez-les ensuite.

**Important :** ne permutez pas les branchements des flexibles.

- Après la vidange, remontez le couvercle du compartiment machine.

**N'ouvrez robinet d'eau que lors de la remise en service.**



---

## tr İçindekiler

Tebrik ederiz .....	43
Güvenlik ve ikaz bilgileri .....	43
Giderme bilgileri .....	44
Yeni cihazınız .....	45
Kurulması .....	47
Cihazın çalıştırılması .....	48
Sıcaklık derecesi ayarı .....	48
Cihazın kapatılması, cihazın tamamen kapatılması .....	49
Fonksiyonlar .....	49
İç kısmın istenildiği gibi donatılması .....	49
Soğutucu bölmesi .....	49
Dondurucu bölmesi .....	51
Besinlerin dondurulması ve depolanması .....	51
Otomatik buz ve su deposu .....	52
Enerji tasarruf bilgileri .....	53
Çalışma sesleri .....	53
Cihazın buzunun çözülmesi .....	54
Cihazın temizlenmesi .....	54
Küçük arızaların giderilmesi .....	54
Ampul değiştirilmesi .....	56
Su filtresinin değiştirilmesi .....	56
Yetkili servisin çağırılması .....	56
Kurma ve montaj kılavuzu .....	57

## Tebrik ederiz

Soğutucu ve dondurucu bölmelerine sahip yeni buzdolabınızı satın almakla, modern, kaliteli, değerli bir ev aleti almaya karar vermiş oldunuz.

Soğutucu ve dondurucu bölmelerine sahip buzdolabınızın bir özelliği de, tasarruflu enerji tüketimidir.

Fabrikamızdan çıkan her cihaz, fonksiyonu ve kusursuz olması hususunda itinalı bir kontrolden geçer.

Sorularınız varsa, özellikle de cihazın kurulması ve bağlanması ile ilgili konularda, yetkili servisimiz size daima memnuniyetle yardımcı olacaktır.

Daha fazla bilgi ve ürün yelpazemize bakmak için, internet sayfamıza bakınız.

Bu kullanma kılavuzunu, kurma kılavuzunu, cihaza ilave edilmiş diğer tüm diğer bilgileri okuyunuz ve dikkate alınız.

Belge ve dokümanları sonradan kullanma ihtimalinden veya cihazı satacak olursanız, yeni sahibi için saklayınız.

## Güvenlik ve ikaz bilgileri

### Cihazı çalıştırmadan önce

Cihazı çalıştırmadan önce, kullanma ve montaj talimatlarındaki bilgileri dikkatlice okuyunuz. Bu talimatlarda cihazın kurulması, yerleştirilmesi, kullanılması ve bakımı ile ilgili önemli bilgiler bulunmaktadır.

Belge ve dokümanları sonradan kullanma ihtimalinden veya cihazı satacak olursanız, yeni sahibi için saklayınız.

### Teknik güvenlik

#### ⚠ Uyarı

- Bu cihaz az miktarda, çevreye zarar vermeyen fakat yanıcı özelliği olan R600a soğutma maddesini ihtiva etmektedir. Taşınma esnasında ve kurulurken cihazın soğutucu madde sirkülasyon sisteminin zarar görmemesine dikkat ediniz. Bu devrenin zarar görmesi halinde, dışarı fışkıracak soğutucu madde göz yaralanmasına sebep olabilir veya tutuşup yanabilir.

### Hasar durumunda

- Açık ateş veya alev kaynakları cihazdan uzak tutulmalıdır,
- Eski cihazın elektrik fişini çekip çıkarınız,
- Cihazın kurulu olduğu yer birkaç dakika havalandırılmalıdır,
- Yetkili servise haber verilmelidir.

Bir cihazın içinde ne kadar çok soğutucu madde olursa, cihazın kurulduğu yer de o kadar büyük olmalıdır. Çok küçük yerlerde, soğutma maddesi devresinde bir kaçak söz konusu olduğunda, yanıcı bir gaz hava karışımı oluşabilir.

8 g soğutma maddesi için gerekli olan yerin hacmi en az 1 m<sup>3</sup> olmalıdır. Cihazınızın içinde bulunan soğutma maddesinin miktarı, cihazın iç kısmındaki tip levhasında yazılıdır.

- Elektrik şebekesi bağlantı hattının değiştirilmesi ve diğer onarım çalışmaları sadece yetkili servis tarafından yapılmalıdır. Gerektiği gibi yapılmayan kurma işlemleri ve onarımlar kullanıcı için önemli zararlara neden olabilir.

### Kullanımda

- Cihaz içinde kesinlikle elektrikli cihazlar kullanmayınız (örn. ısıtma cihazları, elektrikli dondurma yapma cihazları v.s.). Patlama tehlikesi!
- Cihazı temizlemek veya buzunu çözmek için asla buharlı temizleme cihazları kullanmayınız. Buhar, cihazın gerilim altında olan elektrikli parçalarına gelebilir ve kısa devre oluşmasına veya cereyan çarpmasına yol açabilir.
- Cihazın içinde yanıcı tahrik gazı ihtiva eden ürünler (örn. sprey kutuları) ve patlayıcı maddeler bulundurmuyunuz. Patlama tehlikesi!
- Cihazın tabanını, raflarını, kapılarını ve bu gibi parçalarını basamak niyetine veya destek olarak kullanmayınız.
- Buz çözme ve temizleme işlemi için, cihazın elektrik fişini prizden çekip çıkarınız veya bağlı olduğu sigortayı kapatınız. Fişi prizden çıkarırken, fişin kendisi tutulmalıdır, kablodan tutulup çekilmemelidir.
- Alkol oranı yüksek olan sıvı dolu şişeleri iyice kapatarak ve dik olarak buzdolabına koyunuz.

- Cihazın plastik parçalarına ve kapının contasına sıvı ve katı yağ değmemesine özen gösteriniz. Aksi halde bu parçalar delinip aşınabilir.
- Cihazın hava girişi ve çıkışı delikleri kesinlikle örtülmemeli ve önleri kapatılmamalıdır.
- Şişe ve kutu içindeki sıvı maddeleri (özellikle karbonik asit ihtiva eden içecekleri) dondurucu bölümüne koymayınız. Şişeler ve kutular patlayabilir!
- Sapı olan dondurmaları ve küp buz parçalarını doğrudan buzluktan ağzınıza almayınız. Bu maddeler çok soğuk olduğu için, ağzınızda **donma yanığı olma tehlikesi** söz konusudur!
- Dondurulmuş besinlere ıslak eller ile dokunmayınız. Ellerinizi donmuş besinlere yapışabilir. Yaralanma tehlikesi!
- Cihazın içinde oluşan kar, buz ve kırıntı tabakalarını ve ayrıca donup cihaza yapışmış besinleri bıçak veya sivri cisimler ile cihazdan çıkarmaya veya kazımaya çalışmayınız. Aksi halde soğutucu madde sirkülasyon borularının zarar görme tehlikesi söz konusudur. Dışarı fışkıran soğutucu madde tutuşup yanabilir veya göz yaralanmasına sebep olabilir.

## Evdeki çocuklar

- Bu cihaz çocuklar için bir oyuncak değildir!
- Kapsısında kilit tertibatı olan cihazlarda: Kilidin anahtarını çocukların erişemeyecekleri bir yerde muhafaza ediniz!

## Genel yönetmelikler

Bu cihaz

- Besinleri soğutmak içindir.
- Besinleri dondurmak için.
- Buz hazırlamak için kullanılır.

Bu cihaz evde kullanılmak için üretilmiştir.

Cihaz, 89/336/EEC AB direktiflerine istinaden parazitlenmeye karşı korunmuştur.

Soğutucu madde devresinin sızdırmazlığı kontrol edilmiştir.

## Giderme bilgileri

### Yeni cihazın ambalajının giderilmesi

Ambalaj cihazınızı transport hasarlarına karşı korur. Yeni cihazın ambalajı için kullanılan tüm malzemeler çevreye zarar vermeyen türden olup, yeniden geri kazanılabilir. Ambalajları çevreci bir giderme ve yeniden değerlendirme işlemine tabi tutarak, lütfen siz de çevrenin korunmasında yardımcı olunuz.

Satıcınız veya bağlı bulunduğunuz belediye üzerinden aktüel eski cihaz giderme yöntemleri ve çöpleri yeniden değerlendirme merkezleri hakkında bilgi alınız.

### Uyarı

Ambalajları ve ambalaj parçalarını çocuklara vermeyiniz. Katlanabilen karton kutu ve folyolardan dolayı, havasız kalıp boğulabilirler!

## Eski cihazın giderilmesi

Eski cihazlar hiç değeri olmayan çöp değildir! Çevreci bir giderme işleminden geçirilerek, çok değerli ham maddeler yeniden kullanılmak üzere geri kazanılabilir.



Bu cihaz, elektrikli ve elektronik eski cihazlar (waste electrical and electronic equipment – WEEE) ile ilgili 2002/96/EG numaralı Avrupa direktifine uygun bir şekilde işaretlenmiştir, yani tanımlanmıştır.

Bu direktif, AB dahilinde eski cihazların geri alınması ve değerlendirilmesi için geçerli işlem çerçevesini belirler.

### Uyarı

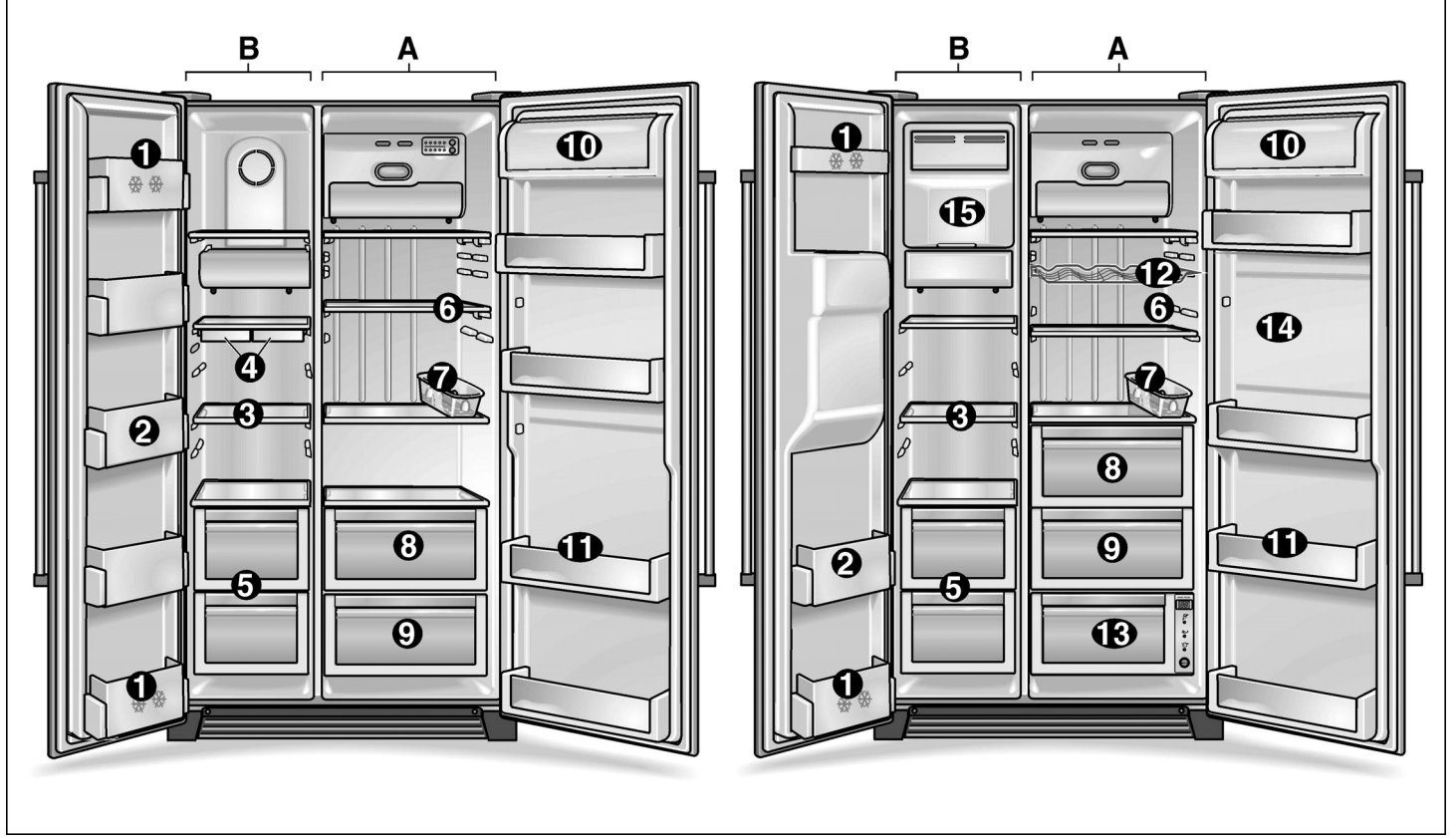
Eskimiş ve artık kullanılmayacak cihazlarda

1. Cihazın elektrik fişini prizden çıkarınız.
2. Elektrik kablosunu kesip, fişi ile birlikte cihazdan ayırınız.

Soğutma cihazlarının içinde soğutucu maddeler vardır, yalıtım tertibatlarında ise izolasyon gazları vardır. Soğutma maddeleri ve gazlar uzmanca giderilmelidir. Eski cihaz uzmanca ve çevreye zarar vermeyecek şekilde giderilinceye kadar, soğutucu madde sirkülasyon borularının zarar görmemesine dikkat ediniz.

## Yeni cihazınız

Bu kullanma kılavuzu birden fazla model için geçerlidir. Resimlerde farklılıklar olabilir.



- A Soğutucu bölümü**  
**B Dondurucu bölümü**

**1 Kapı için raflar (2 yıldızlı göz)**

Kısa bir süre için besin ve dondurma depolamak için kullanılır.

**2 Kapı için raflar**

Dondurulmuş besinlerin depolanması için kullanılır.

**3 Cam raflar, dondurucu bölümü**

Örn. et, balık ve dondurma gibi, dondurulmuş besinlerin depolanması için kullanılır.

**4 Küp buz kabı \***

**5 Dondurucu bölümü kabı**

Et, balık, kümes hayvanlarının (ambalajlı) depolanması için kullanılır.

**6 Cam raflar, soğutucu bölümü**

Piştirilmiş besinlerin, süt mamullerinin, sucuk türü ürünlerin depolanması için kullanılır.

**7 Yumurtalık**

**8 Sebzelik**

**9 Meyvelik**

**10 Tereyağı ve peynir kabı**

**11 Kapı için raflar**  
 Konserve, şişe ve kavanozların depolanması için kullanılır.

**12 Şarap rafı \***

**13 Taze tutma bölümü \***  
 Balık, et ve kümes hayvanlarının en ideal şekilde depolanması için kullanılır.

**14 Bar bölümü \***

Buzdolabının kapısını açmadan, çabucak içecek almak için dıştan açılabilir.

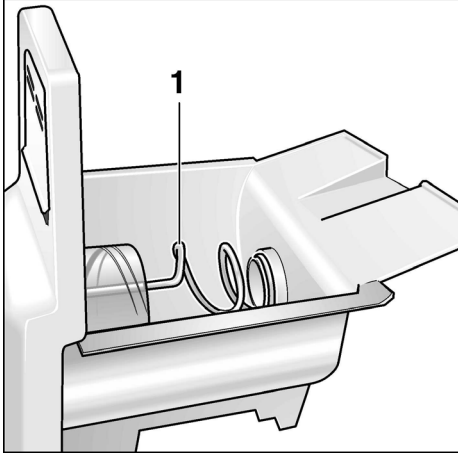
**15 Buz hazırlayıcı \***

Küp buz üretmek ve depolamak için kullanılır.

\* her modelde değil

**Not**

Eğer resimlerde gösterilen parçalardan bazıları sizin cihazınızda yoksa, ilgili parçalar başka modellere ait demektir.

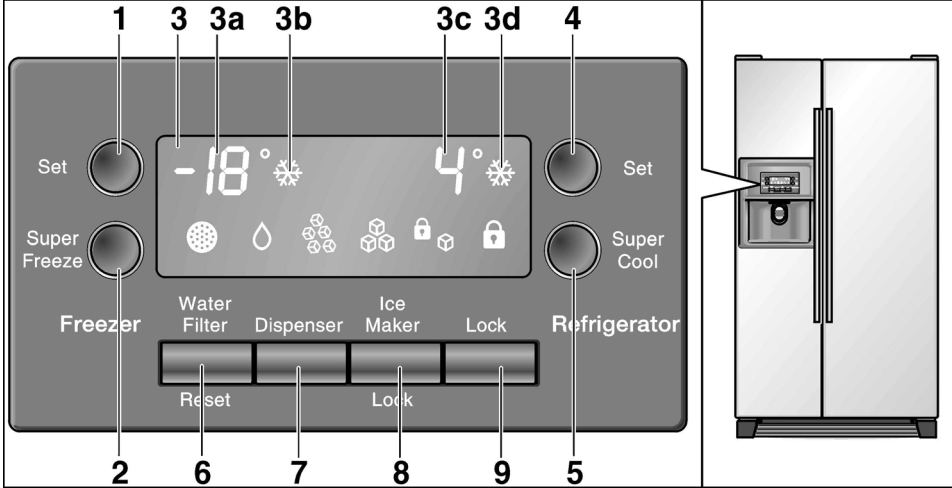
**Buz hazırlayıcı**

1 Sevk helezonu

**Buz ve su deposu**

2 Alma bezi

3 Su toplama kabı

**Kumanda ve gösterge alanı**

1 Dondurucu bölümü sıcaklığı için ayar tuşu

2 "super" dondurma tuşu

3 Gösterge alanı

3a Dondurucu bölümü sıcaklık göstergesi

3b "super" dondurma göstergesi

3c Soğutucu bölümü sıcaklık göstergesi

3d "super" soğutma göstergesi

4 Dondurucu bölümü sıcaklığı

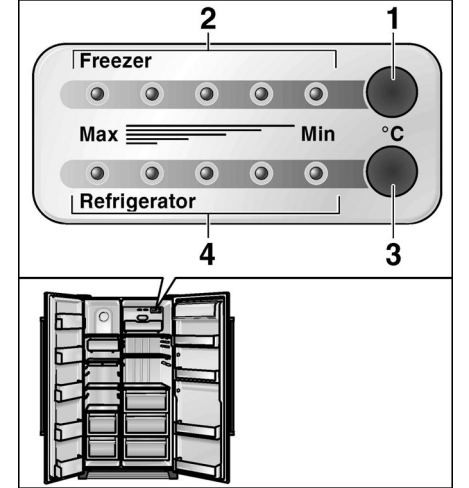
5 "super" soğutma tuşu

6 Su filtresi sıfırlama tuşu

7 Su/buz talep tuşu

8 Buz hazırlayıcı kilitleme tuşu  
Buz hazırlayıcının temizlenmesi veya uzun süre kullanılmaması durumunda kullanılır.

9 Kumanda alanı kilitleme tuşu (çocuk emniyeti)  
Ayarların istenmeden değiştirilmesini önlemek için, bu tuşa basınız. Kilitlemeyi yeniden çözmek için, tuşa bir saniyeden daha uzun bir süre basınız. Gösterge söner.

**Sıcaklık kontrolü**

1 Dondurucu bölümü sıcaklığı için ayar tuşu

2 LED göstergesi







3 Dondurucu bölümü sıcaklığı

4 LED göstergesi

Soğutucu bölümü sıcaklığı



## Gösterge alanındaki sembollerin açıklamaları

	"Filtre değiştirilmesi gereklidir" göstergesi Filtre değiştirme işleminden sonra, su filtresi sıfırlama tuşuna yaklaşık 5 saniye basarak, göstergelyi kapatınız.		"Su" göstergesi
	"Buz hazırlayıcı kilitli" göstergesi		"Doğranmış buz" göstergesi
	"Kumanda alanı" kilitli göstergesi		"Küp buz" göstergesi

## Kurulması

### Kurulum yeri

Cihazın kurulacağı yerin kuru ve havalandırılabilen bir yer olması gerekir. Güneş ışınları doğrudan cihazın kurulacağı yere gelmemeli ve cihaz elektrikli ocak, fırın, soba, kalöriyer vs. gibi sıcaklık oluşturan cisimlerin ve ısı kaynaklarının yanına veya yakınına kurulmamalıdır. Eğer cihazın bir ısı kaynağının yanına kurulması kaçınılmazsa, uygun bir izolasyon plakası kullanınız veya cihaz ile ısı kaynağı arasında aşağıda belirtilen asgari mesafeleri dikkate alınınız.

Isı kaynaklarına şu asgari mesafelerin olmasına dikkat ediniz:

- Elektrikli fırınlardan 3 cm.
- gaz yağı ve kömür sobalarından 30 cm.

Cihazın kurulacağı zemin esnememelidir. Gerekirse zemini takviye ediniz.

Cihaz oldukça ağırdır. Boş ağırlığı için aşağıdaki tabloya bakınız.

Ana modeli	104 kg
Dispenser modeli	113 kg
Homebar modeli	115 kg

Buz hazırlayıcının kusursuz çalışabilmesi için, cihaz dik konumda durmalıdır. Düzgün ayarlamak için bir su terazisi kullanınız. Cihaz kapılarının sonuna kadar açılabilmesi için, cihaz bir köşeye veya boşluğa kurulacaksa, yan taraflarda olması gereken asgari mesafelere uyulmalıdır (cihaz ebatlarına bakınız).

## Cihazın kurulması ve bağlanması

**Cihazı ve su şebekesine bağlantısını uzman ve yetkili bir elemana, ekteki montaj kılavuzuna göre kurdurunuz.**

Cihaz kurulduktan sonra, çalıştırılmadan önce en az ½ saat beklenmelidir. Cihazın nakli esnasında, kompresör içindeki yağın soğutma sistemine dağılması mümkündür.

Cihazı ilk kez çalıştırmadan önce, cihazın iç kısmı temizlenmelidir (bkz. "Cihazın temizlenmesi").

## Elektrik bağlantısı

Uzatma kablosu veya dağıtıcı kullanmayın. Bu cihazın bağlanabilmesi için, sabit monte edilmiş bir prize ihtiyaç vardır.

Cihazın bağlanması için prize kolay ulaşılabilir olmalıdır. Cihazı 220–240 V / 50 Hz dalgalı akım üzerinden, kurallara uygun bir şekilde monte edilmiş bir prize bağlayın. Priz, 10 A veya daha yüksek bir sigortaya sahip olmalıdır.

**Avrupa dışında kalan ülkelerde kullanılacak olan cihazlarda, tip levhasına bakıp, cihazın bağlama geriliminin ve akım türünün sizin elektrik şebekenizin değerlerine uyup uymadığını kontrol ediniz. Tip levhası cihazın içinde sol alt taraftadır. Şebeke bağlantısı tesisatı değişiminin gerektiği durumlarda sadece bir uzmana başvurulmalıdır.**

### ⚠ Uyarı!

**Cihazın elektronik enerji tasarruf sistemlerine (örn. Ecoboy, Save Plug) ve doğru akımı 230 V değerinde alternatif akıma çeviren dalgalı redresörlere (örneğin güneş enerjisi ile elektrik üretme tesislerine, gemi elektrik şebekelerine) bağlanması kesinlikle yasaktır.**

## Oda sıcaklığına ve havalandırmaya dikkat

İklim sınıfı tip levhasının üzerinde bulunur. Bu, cihazın hangi mekân sıcaklıkları dahilinde işletilebileceğini bildirir.

Klima sınıfı	izin verilen mekân sıcaklığı
SN	+10 °C'den 32 °C'ye kadar
N	+16 °C'den 32 °C'ye kadar
ST	+16 °C'den 38 °C'ye kadar
T	+16 °C'den 43 °C'ye kadar

## Havalandırma

Kesinlikle cihazın ön taban kısmındaki hava giriş ve çıkış deliklerinin önünü kapatmayınız. Aksi halde kompresörün daha fazla çalışması gerekir ve bu da elektrik tüketimini yükseltir.

## Cihazın çalıştırılması

- Elektrik fişini bir elektrik prizine takınız.

Cihaz elektrik şebekesine bağlandıktan sonra, soğutmaya başlar. Cihazın kapıları açık olunca, iç aydınlatma lambaları yanar.

### Not:

Ön ayarı yapılmış olan sıcaklık derecelerine (fabrika ayarları) yaklaşık 2-3 saat sonra ulaşılır. Bu süreden önce cihaza besin koymayınız.

Ön ayar sıcaklıklarını değiştirmek için -> "Sıcaklık ayarı" bölümüne bakınız.

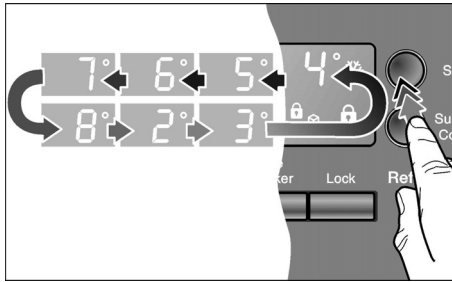
## Sıcaklık derecesi ayarı

### Kumanda alanlı cihazlar

- Soğutma ve dondurma bölmelerinin sıcaklığı ayarı ayrı ayarlanabilir. Ayarlanan değer gösterge alanında gösterilir.
- Soğutma bölümü fabrika ayarı **4 °C'dir.**
- Dondurucu bölümü fabrika ayarı **-19 °C'dir.**

Değerleri değiştirmek için:

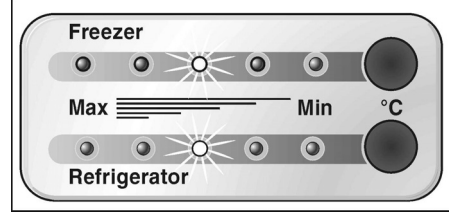
- İstenilen derece gösterilinceye kadar, ayar tuşuna arka arkaya basınız.



Son olarak ayarlanmış olan değer sistem tarafından kaydedilir.

## Sıcaklık kontrollü cihazlar

- Cihaz, soğutucu ve dondurucu bölmeleri için ayrı olan bir sıcaklık kontrolüne sahiptir.
- Soğutucu ve dondurucu bölmelerinin fabrika ayarları orta derecede bir ayardır.

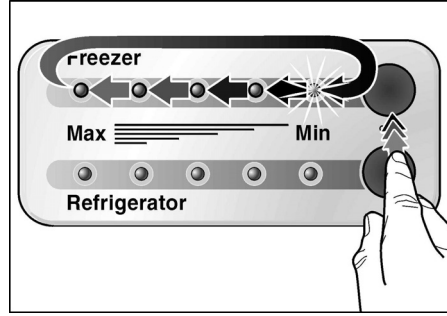


### Not:

Mevcut olan 5 LED, ilgili bölmenin tüm sıcaklık ayar aralığını gösterir, örn. soğutucu bölümü için +2 °C ile +8 °C arası.

Değerleri değiştirmek için:

- İstenilen ayara ulaşıncaya kadar, ayar tuşuna arka arkaya basınız.



Sıcaklık değerlerinin gösterilmesi, en düşük dereceden en yüksek dereceye kadar kademeli olarak yapılır. En yüksek değere ulaşıldıktan sonra, gösterge yine en düşük dereceye atlar.

## Cihazın kapatılması, cihazın tamamen kapatılması

### Cihazın kapatılması

- Cihazın elektrik fişini prizden çıkarınız.

### Cihazın tamamen kapatılması

Eğer cihaz uzun bir süre kullanılmıyacaksa:

- Cihazın içindeki tüm besinleri çıkarınız.
- Su girişini kapatınız.
- Küp buz kabını boşaltınız ("Cihazın temizlenmesi" bölümüne bakınız).
- Bakiye içme suyunu boşaltınız.
- Cihazın elektrik fişini prizden çıkarınız.
- Su filtresi sökülmelidir.

### Not:

Tekrar devreye sokma işleminde yeni bir su filtresi takılmalıdır!

- Cihazın içini temizleyiniz ("Cihazın temizlenmesi" bölümüne bakınız).

Koku oluşmasını önlemek için, cihazın kapılarını açık bırakınız.

**Eğer donma tehlikesi varsa, içme suyu deposunun kabı yetkili ve uzman bir eleman tarafından boşaltılmalıdır (kurma kılavuzuna bakınız).**

### Taşınma durumunda dikkat

Kolay çıkarılabilen tüm parçaları çıkarınız ve teker teker itinayla ambalajlayınız. Cihazın kapı ve kapaklarını yapışkan bant ile emniyetledikten sonra, cihazı dik konumda sevk ediniz.

## Fonksiyonlar

### Kapı alarmı

Cihazın kapılarından biri açık bırakılırsa, bir dakika sonra bir alarm sinyali duyulur ve 5 dakikalık bir süre için, her 60 saniyede bir tekrarlanır.

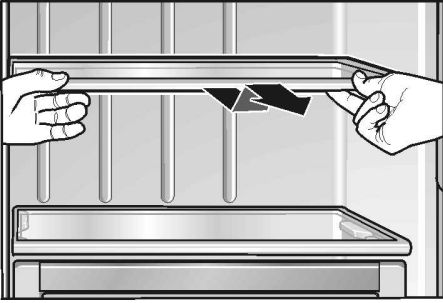
### İç aydınlatmanın otomatik kapatılması

Eğer bir cihaz kapısı 10 dakikadan daha uzun bir süre açık kalırsa, iç aydınlatma otomatik olarak kapanır ve böylelikle aşırı ısınma olması önlenir. Böylelikle enerjiden tasarruf edilir.

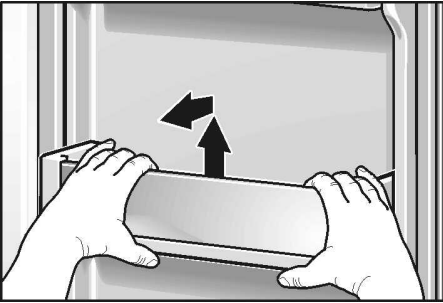
### İç kısmın istenildiği gibi donatılması

Cihazın içindeki rafların ve kapı içindeki kapların yerlerini istediğiniz gibi değiştirebilirsiniz:

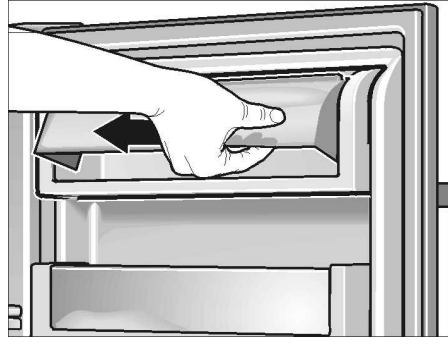
- Rafı öne çekiniz ve dışarı çıkarınız.



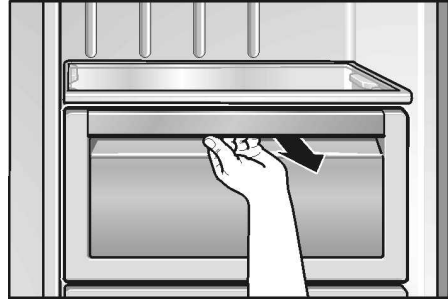
- Kapı yukarı kaldırınız ve dışarı çıkarınız.



- Tereyağı ve peynir bözlerinin kapağını hafifçe kaldırınız, sola bastırınız ve çıkarınız.



- Çekmeceleri öne çekiniz, hafifçe kaldırınız ve çıkarınız.



### Soğutucu bölümü

Soğutucu bölümünün sıcaklığı +2 °C ile +8 °C arasında ayarlanabilir. +4 °C ayarlamayı tavsiye ediyoruz.

### Soğutma bölümünün kullanılması

Hamur işleri, hazır yemek, konserve, kondanse süt, sert peynir, soğuğa karşı hassas meyve ve sebzeler: Örn. mandalina, muz, ananas, kavun, karpuz, avokado, papaya, egzotik meyveler, patlıcan, daha olgunlaşması için bekletilecek meyveler, domates, salatalık, yeşil domates ve patates gibi ürünler.

### Besinleri yerleştirirken dikkat edilecek noktalar:

- Sıcak yiyecek ve içecekleri dolaba koymadan önce, dışarıda soğumalarını bekleyiniz veya soğutunuz.
- Besinleri hava giremeyecek şekilde paketleniz ki, tadı bozulmasın veya kurumasin. Besinleri ambalajlamak için veya besin kablarını kapatmak için, sağlığa zararlı olabilecek malzemeler kullanmayınız.
- Cihazın plastik parçalarına ve kapı contasına sıvı ve katı yağ değmemesine özen gösteriniz.
- Alkol oranı yüksek olan sıvı dolu şişeleri iyice kapatarak ve dik olarak buzdolabına koyunuz. Ayrıca, cihazda patlayıcı maddeler muhafaza etmeyiniz. Patlama tehlikesi!

### "süper" soğutma

Soğutucu bölümünde muhafaza edilecek besin veya içeceklerin hızlı soğutulması için kullanılan fonksiyon. Süper soğutmada, soğutucu bölümü mümkün olduğunca soğuk yapılır.

- **super** tuşuna basınız.

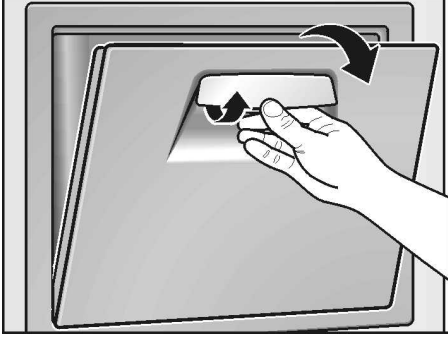


Tuşa her basılmasında bu fonksiyon devreye sokulur ya da devreden çıkarılır. Aktifleştirilmiş "Süper soğutma" fonksiyonu, gösterge alanındaki ilgili sembol üzerinden gösterilir.

## Bar bölümü

(her modelde değil)

Soğutucu bölmesinden içecek vb. besinlerin çabuk alınması için kullanılır. Cihazın kapısını açmak gerekmez.



## Taze tutma bölümü

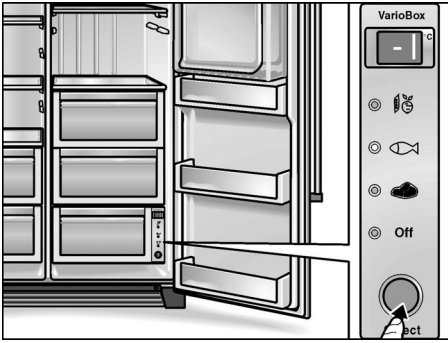
(her modelde değil)

Bu bölmedeki sıcaklık derecesi hemen hemen 0 °C'de tutulur. Bu da, taze besinlerin depolanmasında ideal sıcaklık koşullarının olmasını sağlar.

Besinlerin en iyi şekilde depolanması:

- Seçme tuşu ile ilgili besini (sebze/Balık/Et) seçiniz.

Seçiminiz, ilgili LED yanarak ve ilgili sıcaklık derecesi göstergede görüntülenerek belli edilir.



### Notlar:

- İlgili bölme, "Off" konumunda üst tarafındaki bölme için geçerli olan sıcaklık derecesini üstlenir.
- Gösterilen sıcaklık derecesi bir itibari sıcaklıktır. Taze tutma bölümündeki sıcaklık bundan biraz sapabilir.

## Taze tutmak için uygun olmayanlar:

- Soğuk derecelere karşı hassas meyveler ve sebzeler (narenciyeler, avokadolar, papayalar, güney meyveleri, patlıcanlar, salatalıklar, biberler).
- Daha olgunlaşmaya devam edecek meyveler (yeşil domates, muz)
- Patates
- Sert peynir

## Besin satın alırken dikkat edilecek hususlar:

Besinlerin dayanma süresi için, "satın alma tazeliği" çok önemlidir. Genel olarak: Besinler taze tutma bölümüne ne kadar taze yerleştirilirse, o kadar uzun dayanırlar. Satın alırken besinlerin tazelik derecesine dikkat ediniz.

## Depolama süreleri (0 °C'de):

### Başlangıç kalitesine bağlı olarak

Sucuk, dilim et veya sucuk, et, sakatatlar, balık, taze süt, yağsız süzme yoğurt	azami 7 gün
Küçük parça et, kızartma sucuk/sosis, mantar, salata, yaprak sebze	azami 10 gün
Büyük parça et, hazır yemekler	azami 15 gün
Tütsülenmiş veya salamuralanmış sucuk, lahana	azami 20 gün
Isı uygulanmış büyük parça et, sığır eti, av eti, baklagiller	azami 30 gün

## Dondurucu bölümü

Dondurucu bölümünün sıcaklığı -16 °C ile -22 °C arasında ayarlanabilir. -18°C ayarlamayı tavsiye ediyoruz.

Dondurucu bölümünün kullanımı:

- Dondurucu bölümü
- Besin dondurmak için.
- Küp buz oluşturmak için.

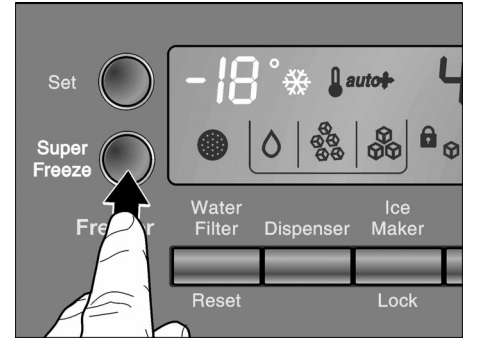
### Not:

Dondurucu bölümünün kapısının daima kapalı olmasına dikkat ediniz. Kapı açık olduğu zaman, dondurulmuş besinlerin buzu çözülür. Dondurucu bölümü aşırı buz tutar. Ayrıca: Yüksek elektrik tüketiminden dolayı enerji kaybı.

## "süper" dondurma

Süper dondurma fonksiyonu, çok miktarda taze besinin dondurulması için kullanılır ve yerleştirilen taze besin miktarına göre, besinler dondurucu bölümüne konmadan yaklaşık 24 saat kadar önce çalıştırılmalıdır. Süper dondurma fonksiyonunda dondurucu bölümü mümkün olduğu kadar soğutulur.

- **super** tuşuna basınız.



Tuşa her basılmasında bu fonksiyon devreye sokulur ya da devreden çıkarılır. Aktifleştirilmiş "Süper dondurma" fonksiyonu, gösterge alanındaki ilgili sembol üzerinden gösterilir.



## Besinlerin dondurulması ve depolanması

### Derin dondurulmuş besinlerin depolanması

Lütfen daha dondurulmuş besin satın alırken şu noktalara dikkat ediniz:

- Ambalaja dikkat ediniz, ambalaj kusursuz olmalıdır.
- Son kullanma tarihini kontrol ediniz.
- Bu gıda maddelerinin içinde bulunduğu buzlukların sıcaklığı -18 °C veya daha da soğuk olmalıdır. Eğer daha sıcaksa, dondurulmuş besinin son kullanma tarihi daha kısa olur.
- Dondurulmuş besinleri alışveriş yaparken en sonunda satın alınız. Dondurulmuş besinleri gazete kağıdına veya belli bir süre soğuk tutan izole poşetlere koyup, mümkün olduğu kadar çabuk eve götürünüz.
- Eve varınca, dondurulmuş besinleri derhal cihazın dondurucu bölümüne yerleştiriniz. Dondurulmuş besinleri son kullanma tarihinden önce tüketiniz.
- Buzu çözülmeye başlamış veya çözülmüş olan bir besinleri tekrar dondurmayınız. İstisna: Bu besinlerden ir yemek yaptıktan (pişirerek veya kızartarak) sonra, hazır yemek şeklinde yeniden dondurabilirsiniz.

### Besinleri kendiniz dondurunca

Dondurmak için sadece taze ve iyi besinler kullanınız. Besinleri hava giremeyecek şekilde paketleniz ki, tadı bozulmasın veya kurumasın. Besinleri ambalajlamak için veya besin kablalarını kapatmak için, sağlığa zararlı olabilecek malzemeler kullanmayınız. Besinler mümkün olduğu kadar çabuk, ortasına kadar dondurulmalıdır.

### Besinlerin doğru ambalajlanması:

- Besinleri ambalajın içine yerleştiriniz.
- Ambalaj içindeki havayı bastırıp tamamen boşaltınız.
- Ambalajı sızdırmayacak şekilde kapatınız.
- Ambalaj üzerine içindeki besinlerin ismini ve dondurma tarihini yazınız.

### Paketlemek için şu malzemeler uygun değildir:

Paketleme kağıdı, parşömen kağıdı, selofan (jelatinli kağıt), çöp torbası ve kullanılmış poşetler.

### Paketlemek için şu malzemeler uygundur:

Plastik folyo, polietilenden torba folyo, alüminyum folyo ve dondurmak için uygun kutular. Bu ürünleri ve malzemeleri ilgili alışveriş merkezlerinde bulabilirsiniz.

### Paket kapatmak için uygun malzemeler:

Lastik halkalar, plastik klipsler, bağlama iplikleri, soğuğa dayanıklı yapışkan bantlar veya benzeri malzemeler.

Polietilenden torba ve hortum folyoları, bir folyo kaynak yapıştırma cihazı ile yapıştırılabilir.

### Dondurma kapasitesi

24 saat içinde azami 10 kg besin dondurabilirsiniz.

### Dondurulmuş besinleri depolama süresi (son kullanma tarihi)

Depolama süresi, dondurulacak besinin türüne bağlıdır.

Orta sıcaklık ayarında:

Balık, sucuk, hazır yemekler, hamur işleri	6 aya kadar
Peynir, kümes hayvanları, et	8 aya kadar
Sebze, meyve	12 aya kadar

### Dondurulmuş besinlerin buzunun çözülmesi

Besinlerin türüne ve kullanım amacına göre, aşağıdaki olanaklardan birini seçmek mümkündür:

- Oda sıcaklığında
- Buz dolabında
- Elektrikli fırında, sıcak hava fanını kullanarak/kullanmadan
- Mikrodalga fırında

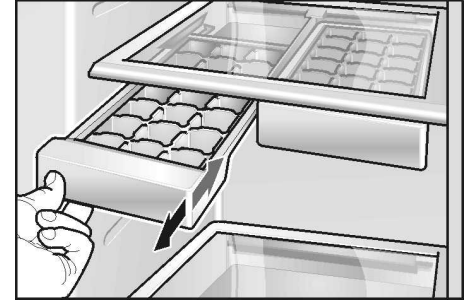
### Bilgi

Buzu çözülmeye başlamış veya çözülmüş dondurulmuş besinleri tekrar dondurmayınız. Ancak işlendikten sonra (pişirmek veya kızartmak) yeniden dondurulabilir.

Bu durumda ilgili besini son kullanma tarihi dolmadan kullanınız.

### Küp buz hazırlanması

(Buz hazırlayıcısı olmayan cihazlar)



- Buz kabının ¾ kadar olan kısmını su ile doldurunuz ve dondurucu bölümüne koyunuz.
- Küp buzları buz kabından çıkarmak için, kabı kısa bir süre musluktan akan su altına tutunuz veya biraz sağa sola bükünüz.



## Otomatik buz ve su deposu

İhtiyaca göre şunlar alınabilir:

- Soğutulmuş su
- Küp buz
- Parçalanmış buz (crush-ice)

### ⚠ Uyarı!

**Su ve buz almak için kırılabilir kaplar kullanmayınız. Cam kırılması sonucunda yaralanma tehlikesi söz konusudur!**

**Çıkış deliğine elinizi sokmayınız. Buz kırma bıçağından dolayı yaralanma tehlikesi söz konusudur!**

### Not:

Buz ve su deposu ancak cihaz su şebekesine bağlı olduğu zaman çalışır.

## Yeni cihazın devreye sokulmasında dikkat

Bağlantıların kurulmasından sonra hatlar içinde hava kabarcıkları vardır.

Hava kabarcığı olmayan su gelinceye kadar, içme suyu alıp dökünüz. İlk 5 bardak suyu dökünüz.

Buz hazırlayıcı ilk kez kullanıldığında, ilk 30–40 küp buzu hijyenik sebeplerden dolayı kullanmayınız.

## Buz hazırlayıcının kullanılması için bilgiler

Dondurucu bölümü ayarlanmış sıcaklık derecesine ulaşınca, buz hazırlayıcıya su akar ve içindeki hücreler içinde küp buz olur. Hazırlanan küp buzlar otomatik olarak küp buz kabına dökülür.

Bazen küp buzlar yan taraflardan birbirine yapışık olabilir. Bu küp buzlar, çıkışa sevk edilirlerken çok kez kendiliğinden birbirlerinden ayrılır.

Küp buz kabı dolu olduğu zaman, buz hazırlayıcı otomatik olarak kapanır.

Buz hazırlayıcı 24 saat içinde yaklaşık 100 küp buz hazırlayabilir.

**Küp buz kabına hızlı soğuması için şişe veya besin koymayınız. Buz hazırlayıcı bloke olabilir ve zarar görebilir.**

Cihazın devreye sokulmasından sonra, ilk küp buz parçaları yaklaşık 24 saat sonra hazırlanış olur.

Küp buz hazırlanırken, su valfinin sesi, suyun buz kabına akması ve küp buz parçalarının aşağı dökülmesi sesleri duyulur.

## İçme suyu kalitesi

İçme suyu deposunda kullanılmış olan tüm malzemeler koku ve tad açısından tarafsızdır.

Suyun tadında bir farklılık olursa, bunun sebepleri şu olabilir:

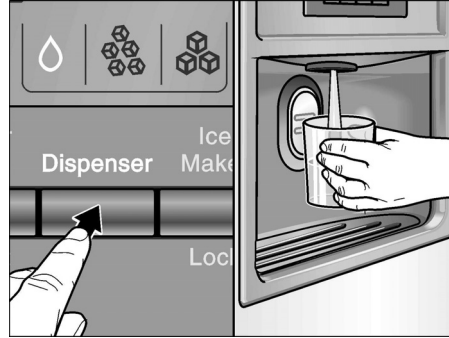
- İçme suyunun mineral ve klor oranı.
- Evin su veya bağlantı hatlarında kullanılmış olan malzemeler.
- İçme suyunun tazeliği (uzun süre su akıtılmamışsa, su "bayatlamış" gibi bir tad alabilir. Bu durumda yaklaşık 15 bardak su alıp dökünüz).

Suyun tadı ve kokusu, ekteki su filtresi su girişine takılarak daha iyi yapılabilir.

**Ekteki su filtresi sadece giriş suyundaki partikelleri (küçük parçacıkları) süzer, bakterileri veya mikropları değil.**

## Su alınması

- Sembol yanınca kadar, tuşa basınız.



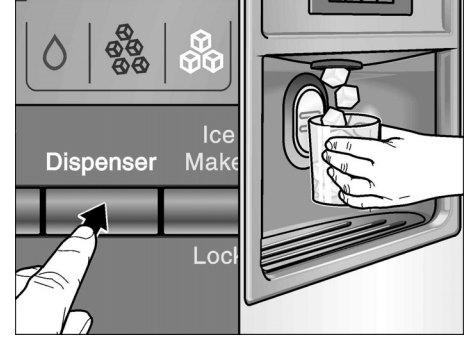
- Bardağı su alma yastığına karşı bastırınız. Bardak yastıktan uzaklaştırılınca, su alma işlemi sona erer.

### Yararlı bilgi:

Su deposundan alınan su, içme sıcaklığındadır. Suyun daha soğuk olması isteniyorsa, bardağa su doldurmadan önce, ek olarak buz koyunuz.

## Buz alma

- Küp buz veya "Crush-Ice" sembolü yanıncaya kadar, tuşa basınız.



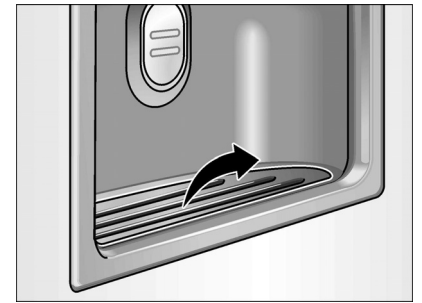
- Uygun bir kabı alma yastığına doğru bastırınız.

### Notlar:

- Kap yaklaşık yarıya kadar dolunca, buz alma yastığından uzaklaştırınız. Çıkış kısmında bulunan buz, kabın taşmasına veya çıkışın bloke edilmesine neden olabilir.
- Fonksiyon, küp buz alma modundan doğranmış buz alma moduna değiştirildikten sonra, buz deposunda henüz bütün küp buz veya küp buz parçaları bulunabilir. Bu parçalar ilk doğranmış buz (crush-ice) porsiyonları ile verilir.

## Su-toplama kabının çıkarılması ve temizlenmesi

Taşan veya dökülen su, su toplama kabı içinde birikir. Boşaltmak ve temizlemek için, su toplama kabı dışarı çekilip çıkarılabilir.



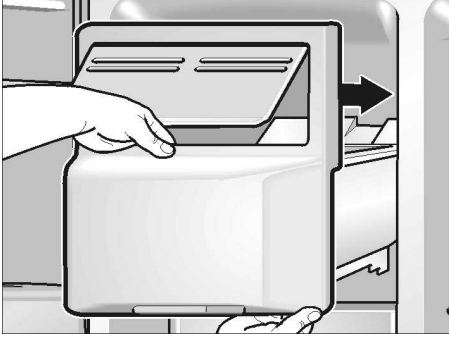
## Küp buz kabının dışarı çıkarılması ve temizlenmesi

Uzun süre küp buz alınmadıysa, üretilmiş olan küp buz parçaları küçülür, bayat bir tad alır ve birbirine yapışır.

- Kabı çekip dışarı çıkarınız, boşaltınız ve ılık su ile temizleyiniz.
- Kabı ve sevk helezonunu iyice silip kurulumunuza ki, yeni küp buz parçaları donup yapışmasın.

## Küp buz kabının yerleştirilmesi

- Küp buz kabını altlık üzerinden, yerine oturuncaya kadar arkaya doğru itiniz.

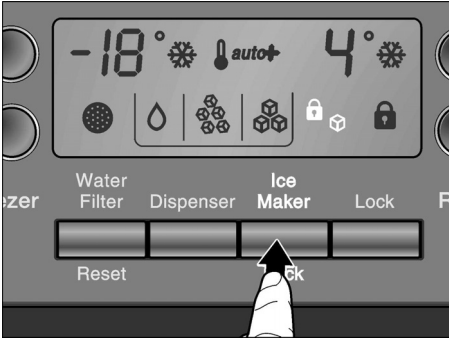


- Kap tamamen arkaya itilemezse, kabın içindeki sevk helezonunu biraz çeviriniz.

Küp buz üretimi yine çalışmaya başlar.

## Küp buz hazırlayıcının devre dışı bırakılması

Muhtemelen 1 haftadan daha uzun bir süre küp buz alınmayacaksa (örn. tatil), küp buz hazırlama sistemi geçici olarak devreden çıkarılmalı ve böylelikle küp buzların birbirine yapışması önlenmelidir.



- "Buz hazırlayıcı" kilitleme tuşuna basınız. İlgili sembol yanar.
- Küp buz kabını dışarı çıkarınız, boşaltınız ve tekrar yerine takınız. Küp buz kabının altlık üzerinde yerine oturmasına dikkat ediniz.

Tekrar devreye sokmak için:

- "Buz hazırlayıcı" kilitleme tuşuna basınız. İlgili sembol söner.

## Enerji tasarruf bilgileri

- Cihazı doğrudan güneş ışınlarına maruz bırakmayınız ve ısı kaynaklarından (örn. kalorifer, ocak) uzak bir yere kurunuz. Gerekirse bir izolasyon plakası kullanınız.
- Sıcak yiyecek ve içecekleri dolaba koymadan önce, dışarıda soğumalarını bekleyiniz veya soğutunuz.
- Dondurulmuş besinleri, buzlarının çözülmesi için soğutucu bölmesine koyunuz. Böylelikle bu maddelerdeki soğukluğu, soğutma bölümündeki besinlerin soğutulmasında kullanmış olursunuz.
- Dolaptan bir şey alırken veya dolaba bir şey koyarken kapıyı mümkün olduğu kadar az açık tutunuz!

## Çalışma sesleri

### Normal sesler

**Boğuk horultu** – Soğutma makinesi (kompresör) çalışıyor. Hava dolaşım sisteminin ventilatörü çalışıyor

**Fıkırtı, şırıltı ve tınlama sesleri** – Soğutma maddesi borulardan akıyor. Buz hazırlayıcıya su akıyor.

**Çıtlama** – Motor (kompresör) devreye giriyor ve çıkıyor. Su bağlantısındaki manyetik valf açılıyor ya da kapanıyor.

**Patırtı sesleri** – Hazır küp buz parçaları, küp buz hazırlayıcıdan küp buz kabının içine düşüyor.

## Kolay giderilebilecek ses ve gürültüler

### Cihaz düzgün durmuyor

Cihazı bir su terazisi yardımı ile düzgün ayarlayınız. Bunun için vidalı ayakları kullanınız veya altına uygun destek koyunuz.

### Cihaz "temas ediyor"

Cihazı temas ettiği mobilya veya cihazlardan uzaklaştırınız.

### Çekmeceler, sepetler veya raflar sallanıyor veya sıkışıyor

Dışarı çıkarılabilen parçaları kontrol ediniz ve gerekirse yeniden takınız.

## Kaplar birbirine temas ediyor

Şişeleri veya akapları birbirinden biraz ayırınız.

## Cihazın buzunun çözülmesi

Buz çözme işlemi otomatik gerçekleşir.

Buz çözme işleminde oluşan su, buzdolabının içinde arka yüzdeki buharlaşma kabına aşağıya doğru akar ve otomatik olarak buharlaşır.

## Cihazın temizlenmesi

- **Dikkat:** Cereyan fişini şebeke prizinden çıkarınız veya cihazın bağlı olduğu sigorta üzerinden gerilimi kesiniz!
- Kapı contasını sadece temiz su ile temizleyiniz ve iyice silip kurulayınız.
- Cihazı deterjanlı ılık su ile temizleyiniz. Temizlik suyu kontrol panosuna veya aydınlatmaya girmemelidir.

Soğuk cam rafları doğrudan dondurucu bölmesinden çıkarıp, sıcak bulaşık deterjanlı suya sokmayınız.

Raflar ve kablolar kesinlikle bulaşık yıkama makinesinde yıkanmamalıdır. Aksi halde bu parçalar deforme olabilir.

- Temizleme işleminden sonra: Elektrik fişini prize takınız ya da sigortayı açınız.

### ⚠ Uyarı!

**Dondurulmuş besinlere ıslak eller ile dokunmayınız. Elleriniz donmuş besinlere yapışabilir. Yaralanma tehlikesi!**

Cihazı kesinlikle bir buharlı temizleyici ile temizlemeyiniz! Buhar, cihazın gerilim altında olan parçalarına gelebilir ve kısa devre oluşmasına veya cereyan çarpmasına yol açabilir. Buhar cihazın plastik yüzeylerine zarar verebilir.

## Küçük arızaların giderilmesi

### Yetkili servisi çağırmadan önce:

Aşağıdaki talimatların yardımıyla arızayı kendinizin giderip gideremeyeceğinizi kontrol ediniz.

Garanti süresi içerisinde dahi, bu gibi durumlarda servis görevlisinin masraflarının tümünü kendiniz ödemek zorundasınız!

### Soğutma ve dondurma bölmesi

Arıza	Muhtemel sebebi	Giderilmesi
Cihaz soğutmuyor. İç aydınlatma çalışmıyor.	Elektrik kesintisi; sigorta kapalı; elektrik fişi prize iyi takılmamış.	Elektrik kesikliği olmadığını kontrol ediniz; sigorta atmamış ve çalışır durumda olmalıdır.
Kompresör sık sık devreye giriyor ve uzun süre devrede kalıyor.	Cihaz kapısı sık sık açıldı. Çok miktarda taze besin donduruldu. Hava giriş ve çıkış deliklerinin önü kapanmış.	Cihaz kapısı gereksiz açılmamalıdır. Azami dondurma kapasitesi aşılmamalıdır. Engeller giderilmelidir.
Soğutma ya da dondurma bölmesi çok soğuk.	Sıcaklık derecesi çok soğuk ayarlanmış.	Daha sıcak bir derece ayarlayınız. ("Sıcaklığın ayarlanması" bölümüne bakınız).
Dondurulmuş besinler yapışıp kalmış.		Dondurulmuş besinleri keskin ve sivri olmayan bir cisim ile yapışmış oldukları yerden çözünüz. Dondurulmuş besinleri yapışmış oldukları yerden çözmek için bıçak veya sivri bir cisim kullanmayınız.
Dondurucu bölmesinde kalın bir kırağı tabakası var.		Cihazın kapısının daima kapalı olmasına dikkat ediniz.
İç aydınlatma çalışmıyor.	Ampul bozuk. Lamba şalteri sıkışmış.	("Ampulün değiştirilmesi" bölümüne bakınız) Şalterin hareket edip etmediği kontrol edilmelidir.
Dondurucu bölmesi artık ayarlanmış sıcaklık derecesine ulaşamıyor.	Dondurucu bölmesinin kapısı uzun süre açık kaldı. Buharlaştırıcı (kompresör) çok fazla buz tutmuş ve tam otomatik buz çözme sistemi bu buz miktarını eritemiyor.	Dondurulmuş besinleri cihazdan çıkarınız ve iyice izole ederek, serin bir yerde muhafaza ediniz. Yaklaşık 12 saat sonra soğutma sistemindeki buz erimiş olur. Cihazı tekrar açınız ve dondurulmuş besinleri yerleştiriniz. <b>Bilgi!</b> Soğutma bölmesinin kapısını gerekemediği sürece açmayınız ki, soğuk kaybı olmasın. Arıza, yukarıda tarif edilen önlemler ile giderilemezse, kesinlikle yetkili servisi arayınız.

### Su ve buz deposu

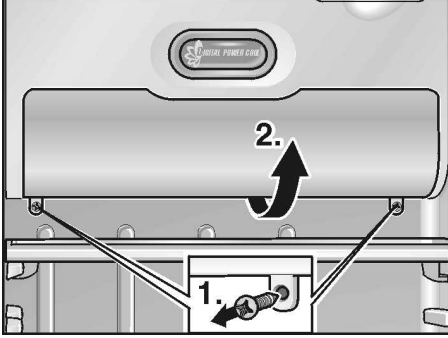
Arıza	Muhtemel sebebi	Giderilmesi
İşletme süresi uzun olduğu halde, küp buz alınamıyor.	Su musluğu kapalı. Su beslemesinde kesiklik var. Su basıncı çok düşük. Buz hazırlayıcı kilitlenmış. Gösterge alanında sembol yanıyor.	Musluğu açınız. Tesisatçınızı arayınız. "Buz hazırlayıcı" kilitleme tuşuna basınız.
Küp buzlar küp buz kabının içinde fakat boşaltılmıyor.	Dondurucu bölmesi çok sıcak.	Dondurucu bölmesinin sıcaklık derecesi düşürülmelidir ("Sıcaklık ayarı" bölümüne bakınız).
Küp buzlar, küp buz kabının veya buz kırıcının çıkışında sıkışmış.	Küp buz parçaları birbirine yapışmış.	Küp buz kabını dışarı çıkarınız ve boşaltınız. Küp buz kabını dışarı çıkarınız ve sevk helezonunu elden çeviriniz. Sıkışmış olabilecek buz parçalarını odun çubuk ile çözünüz.

<b>Arıza</b>	<b>Muhtemel sebebi</b>	<b>Giderilmesi</b>
<b>Küp buzlar sulu.</b>	Küp buzlar erimiş. Elektrik kesikliği söz konusu olmuş veya cihazın kapısı doğru kapatılmamış.	Küp buz kabını dışarı çıkarınız, boşaltınız ve silip kurulayınız.
<b>Küp buzlar buharlaşıyor.</b>		Küp buzlar üzerinden geçen soğuk hava, öncelikle küp buzlar az kullanıldığında küp buzların küçülmesine neden olur. Bu normaldir.
<b>Küp buz deposunun kapağı doğru kapanmıyor.</b>	Küp buz parçaları kapağa engel oluyor.	Küp buzları kapaktan uzaklaştırınız.
<b>Küp buz parçaları küp buz kabına yapışıyor.</b>	Suyun içerdiği kireç kap içinde tortulaşabilir.	Bir bezi sirke ile nemlendiriniz ve kapları bu bez ile siliniz. Tortulaşma yoğun ise, kapları soğutucu bölmesini her temizlediğinizde siliniz.
<b>Küp buzların ebatları farklı ve küp buz kabında su var.</b>	Cihaz düz yerleştirilmemiş.	Cihazı su terazisi ve ayarlanabilen tekerlekler ya da vida dişli ayaklar üzerinden düzgün ayarlayınız (kurma kılavuzuna bakınız).
<b>Su deposu çalışmıyor.</b>	Su musluğu kapalı.	Musluğu açınız.
	Su beslemesinde kesiklik var. Su basıncı çok düşük.	Tesisatçıyı arayınız.
	Dondurucu bölmesi çok sıcak.	Dondurucu bölmesinin sıcaklık derecesi düşürülmelidir ("Sıcaklık ayarı" bölümüne bakınız).

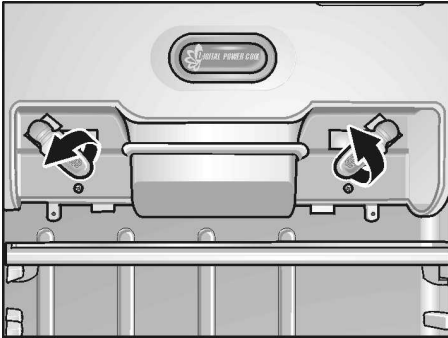
## Ampul değiştirilmesi

### İç kısımdaki ampulün değiştirilmesi

- **Dikkat:** Cereyan fişini şebeke prizinden çıkarınız veya cihazın bağlı olduğu sigorta üzerinden gerilimi kesiniz!
- Kapağın altındaki 2 civatayı çözünüz ve kapağı çıkarınız.



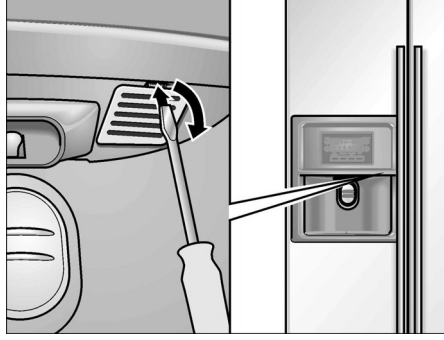
- Ampul değiştirilmelidir. Yedek ampul, azm. 25 W, 220–240 V alternatif akım, soket E14.



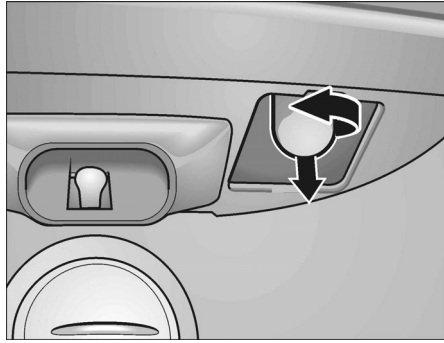
- Kapağı monte ediniz.

## Buz ve su deposunun ampulünün değiştirilmesi

- **Dikkat:** Cereyan fişini şebeke prizinden çıkarınız veya cihazın bağlı olduğu sigorta üzerinden gerilimi kesiniz!
- Kapağı tornavida ile kaldırıp çıkarınız.



- Ampul değiştirilmelidir. Yedek ampul, azm. 15 W, 220–240 V alternatif akım, soket E14.



- Kapağı takınız.

## Su filtresinin değiştirilmesi

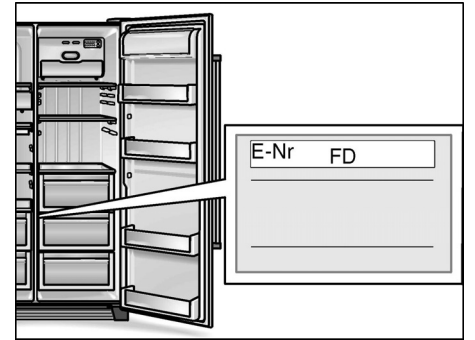
Yeni bir filtreyi yetkili servis üzerinden 497818 tanım numarası ile tedarik edebilirsiniz.

- **Dikkat:** Cereyan fişini şebeke prizinden çıkarınız veya cihazın bağlı olduğu sigorta üzerinden gerilimi kesiniz!
- Cihaza su girişini kapatınız.
- Eskimiş su filtresini cihazın filtre tutucusundan dışarı çıkarınız ve bağlantı hatlarını çekip çıkarınız.
- **Dikkat!** Bağlantı hatlarını cihazın içine indirmeyiniz! Cihazın ve bağlantı hatlarının içinde kalan su akıp boşalabilir.
- Yeni filtreyi bağlantı hatlarına bağlayınız. Üzerinde bildirilmiş olan filtrenin su akış yönüne dikkat ediniz!
- Filtreyi filtre tutucuya yerleştiriniz.

## Yetkili servisin çağırılması

Size yakın bir yetkili servisimizi telefon rehberinde veya yetkili servis listesinde bulabilirsiniz. Lütfen yetkili servisimizi çağırdığınız zaman, cihazın ürün numarasını (E-Nr.) ve imalat numarasını (FD) bildirin.

Bu numaraları, tip levhasının üzerinde bulabilirsiniz.



Cihazın ürün numarasını ve imalat numarasını bildirmek suretiyle, gereksiz gidip gelme masraflarını ve zaman kaybını önlemiş olursunuz. Böylelikle ilgili fazla masraflardan tasarruf etmiş olursunuz.



## Kurma ve montaj kılavuzu

### Önemli not:

Bu kurma kılavuzu farklı modeller için geçerlidir.

Bazı modellerde, burada anlatılan tüm işlem adımları gerekli değildir.

**Cihaz sadece yetkili bir uzman tarafından, bu kurma kılavuzuna göre kurulmalı ve bağlanmalıdır.**

**Su bağlantısı kesinlikle elektrik bağlantısından önce yapılmalıdır.**

**Yasal öngörülen yönetmeliklerin yanında yerel elektrik ve su işletmelerinin bağlantı koşulları yerine getirilmelidir.**

**Kurma ve montaj kılavuzunu itinayla muhafaza ediniz.**

## Kurulum yeri

### Dikkat:

Cihaz oldukça ağırdır. Boş ağırlığı için aşağıdaki tabloya bakınız.

Ana modeli	104 kg
Dispenser modeli	113 kg
Homebar modeli	115 kg

Cihazın kurulacağı yerin kuru ve havalandırılabilen bir yer olması gerekir. Güneş ışınları doğrudan cihazın kurulacağı yere gelmemeli ve cihaz elektrikli ocak, fırın, soba, kalörifer vs. gibi sıcaklık oluşturan cisimlerin ve ısı kaynaklarının yanına veya yanına kurulmamalıdır. Eğer cihazın bir ısı kaynağının yanına kurulması kaçınılmazsa, uygun bir izolasyon plakası kullanınız; ya da ısı kaynağına aşağıda belirtilen asgari mesafelerin olmasına dikkat ediniz.

- Elektrikli fırınlardan 3 cm.
- Gaz yağı ve kömür ocaklarından 30 cm.

Cihazın kurulacağı zemin esnememelidir. Gerekirse zemini takviye ediniz (cihaz çok ağırdır, içi boşken yaklaşık 145 kg, içi doluyken yaklaşık 400 kg olabilir). Buz hazırlayıcının kusursuz çalışabilmesi için, cihaz dik konumda durmalıdır. Cihaz kapılarının sonuna kadar açılabilmesi için, cihaz bir köşeye veya boşluğa kurulacaksa, yan taraflarda olması gereken asgari mesafelere uyulmalıdır ("Cihazın ve kurulacağı yerin ebatları" bölümüne bakınız).

## Cihazın ambalajdan çıkarılması

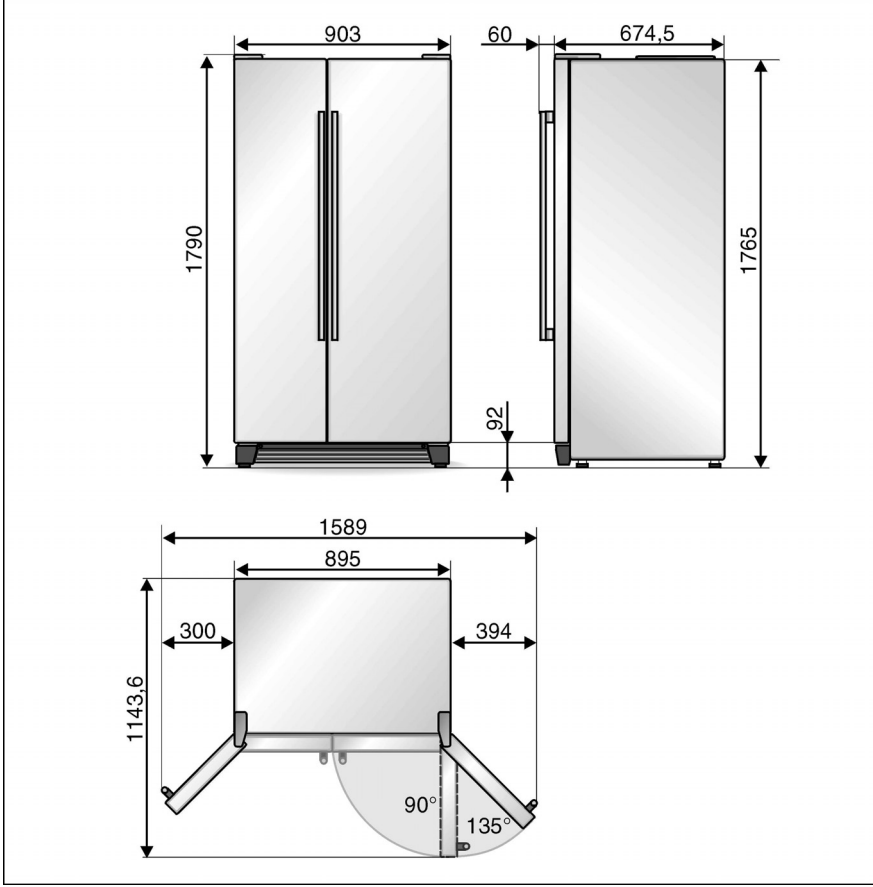
- Ambalaj malzemelerini ve yapışkan bantları sökünüz. (Cihaz gövdesinde kalan yapışkan bant artıkları, yapışkan bandın yapışkanlı tarafı kullanılarak temizlenebilir. Bunun için bandı yapışkan artıkları olan yerin üzerine birkaç kez bastırıp çekiniz.)
- Rafların ve kapların transport emniyet tertibatını ancak cihazı kurduktan sonra çıkarınız.
- Buz hazırlayıcının transport emniyet tertibatını cihazı kurduktan sonra çıkarınız. Bunun için buz hazırlayıcıyı çekip dışarı çıkarınız.



### Dikkat:

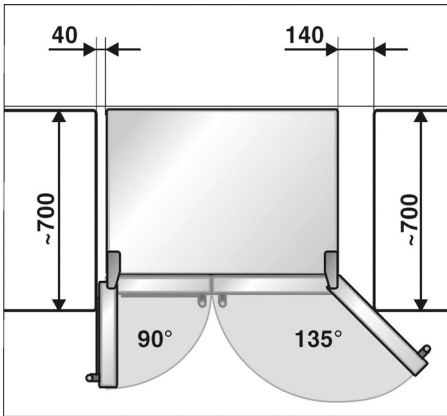
Cihazın elektrik bağlantısını kurmadan önce, cihazın içindeki ve dışındaki tüm ambalaj malzemeleri çıkarılmış olmalıdır.

## Cihazın ve kurulacağı yerin ebatları



Cihazın kurulacağı yerdeki komşu mutfak donanımının derinliği 60 cm'yi aşıyorsa, kapıların açılma açısından tamamen yararlanabilmek için, yan taraflarda asgari mesafeler olmasına dikkat edilmelidir.

Kapı açılma açısı	Asgari mesafe
90°	40 mm
135°	140 mm



Cihazın üst tarafına bir pano veya başka bir dolap takılacak olursa, gerektiğinde cihazın kurulduğu boşluktan çekilip çıkarılabilmesi için, bir boşluk bırakılmalıdır.

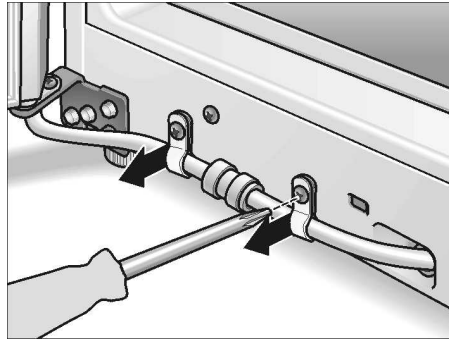
## Kapıların sökülmesi

Cihaz evin kapısından geçmezse, cihazın kapıları sökülebilir.

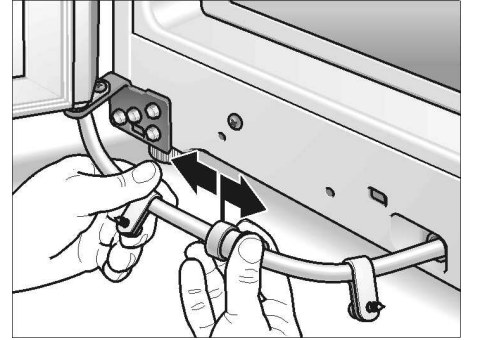
Montajı yetkili servisimize yaptırmanızı öneriyoruz.

## Dondurucu bölmesinin kapısının sökülmesi

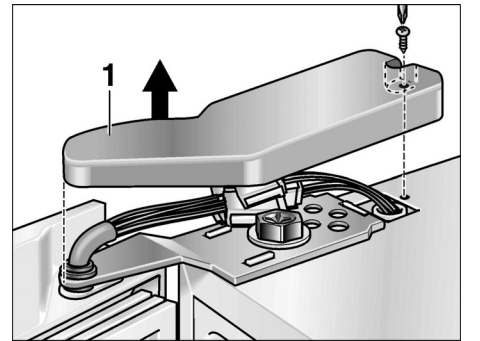
- Alt kaplamayı sökünüz.
- Hortum bağlantısını çözünüz:  
Hortum bağlantısındaki hortum kelepçesini çözünüz.



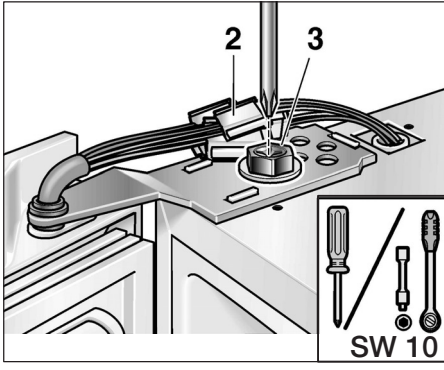
Germe halkasını ok yönünde bastırınız, aynı zamanda hortumu hortum bağlantısından çekip çıkarınız.



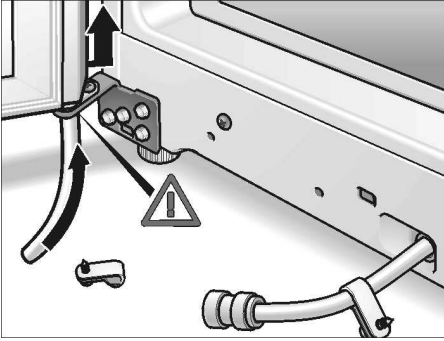
- Üst menteşe kapağını sökünüz (1).



- Geçmeli elektrik bağlantılarını ayırınız (2).



- Menteşe civatalarını üst taraftan çıkarınız (3); bu işlem esnasında kapıyı sabit tutunuz.
- Kapıyı yukarıya doğru alt menteşe piminden kaldırıp çıkarınız.  
Kapıyı söküp çıkarırken ve yere koyarken dikkatli olunuz! Su hattına zarar vermeyiniz.



### Soğutucu bölmesinin kapısının sökülmesi

- Soğutucu bölmesinin kapısını da aynı şekilde sökünüz (soğutucu bölmesi kapısında geçmeli elektrik bağlantıları ve hortum bağlantıları yoktur).

### Dikkat:

Kapılar tekrar çıkarma işleminin tersi yönde takılmadan önce, cihazın kurulduğu yerde düzgün durması sağlanmalıdır.

### Cihazın su şebekesine bağlanması

Su bağlantısı sadece yetkili bir tesisatçı tarafından, yerel su işletmesinin kurallarına göre kurulmalıdır.

Cihazı bir soğuk su hattına bağlayınız.

- Asgari basınç: 0,1 Mpa (1,0 bar)
- Azami basınç 1,0 Mpa (10,0 bar)

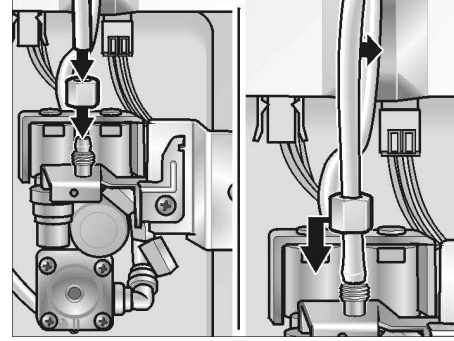
Yerel duruma göre, su hattına bir basınç düşürücü (presostat) takılması gerekli olabilir.

Ekteki bağlantı hattının bağlanacağı 3/4" inçlik su musluğuna rahat ulaşılabilir. Ekteki bağlantı hatları 1,5 m ya da 7 m uzunluktadır.

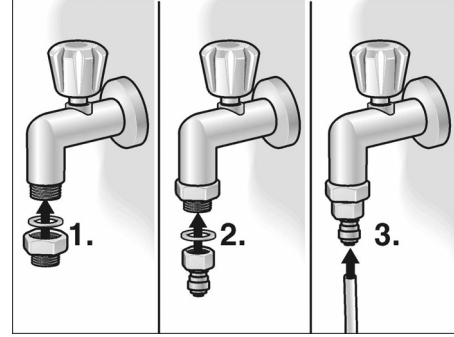
Suyun tadı ve kokusu, ekteki su filtresi su girişine takılarak daha iyi yapılabilir.

### Bağlanması

- Bağlantı hattını manyetik valfe bağlayınız.



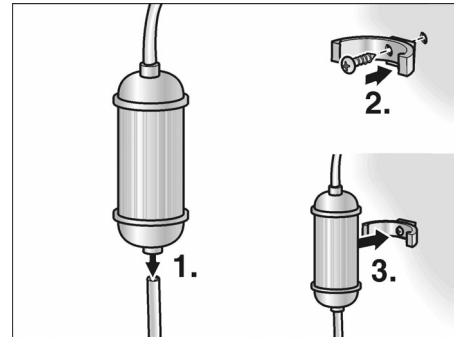
- Bağlantı hattını su musluğuna bağlayınız.



- Bağlantı hattını ekteki bilezikler ile cihaz arka yüzüne ve duvara sabitleyiniz.
- Bağlantı hattını fiyong şeklinde veya dolayarak toplayınız ki, cihaz duvardan ayrılabilsin.

### Filtrenin su hattına montajı

- Bağlantı hattının uçlarını filtreye bağlayınız (1). Üzerinde bildirilmiş olan filtrenin su akış yönüne dikkat ediniz!



- Filtre tutucuyu cihazın sol veya sağında uygun bir yere (örn. alt dolap) sabitleyiniz (2) ve filtreyi takınız (3).

### Elektrik bağlantısı

Uzatma kablosu veya dağıtıcı kullanmayın. Bu cihazın bağlanabilmesi için, sabit monte edilmiş bir prize ihtiyaç vardır.

Cihazın bağlanması için prize kolay ulaşılabilir olmalıdır. Cihazı 220–240 V / 50 Hz dalgali akım üzerinden, kurallara uygun bir şekilde monte edilmiş bir prize bağlayınız. Prizin sigortası 10 A veya daha yüksek olmalıdır.

Avrupa dışında kalan ülkelerde kullanılacak olan cihazlarda, tip levhasına bakıp, cihazın bağlama geriliminin ve akım türünün sizin elektrik şebekenizin değerlerine uyup uymadığını kontrol ediniz. Tip levhası cihazın içinde sol alt taraftadır. Şebeke bağlantısı tesisatı değişiminin gerektiği durumlarda sadece bir uzmana başvurulmalıdır.

### ⚠ Uyarı!

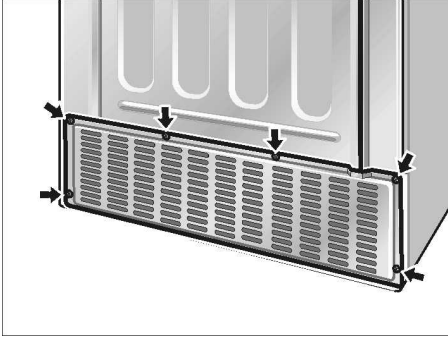
Cihazın elektronik enerji tasarruf sistemlerine (örn. Ecoboy, Save Plug) ve doğru akımı 230 V değerinde alternatif akıma çeviren dalgali redresörlere (örneğin güneş enerjisi ile elektrik üretme tesislerine, gemi elektrik şebekelerine) bağlanması kesinlikle yasaktır.

### Önemli!

Montaj veya şebeke bağlantı hattının değiştirilmesi durumunda, kabloya yüklenilmesini önleyici kablo destek tertibatı monte edilmelidir.

## Su bağlantısının sızdırmazlığının kontrolü

- Cihazı ekteki kullanma kılavuzuna göre çalıştırınız.
- Suyu kullanma kılavuzunda bildirildiği gibi alınız. Henüz hatlarda ve su tankında hava olduğu için, suyun gelmesi birkaç saniye sürebilir.
- Cihazdaki ve su bağlantısındaki tüm vidalı su bağlantılarında sızdırmazlık kontrolü yapınız.
- Kontrolten sonra elektrik fişini tekrar çekip prizden çıkarınız ve motor bölümü kapağını monte ediniz.

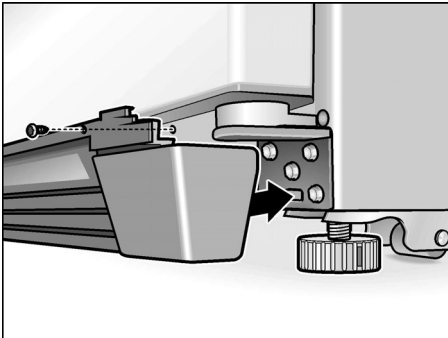


## Cihazın düzgün yerleştirilmesi

Cihazın kusursuz çalışabilmesi için, su terazisi ile düzgün ayarlanmış olması gerekir.

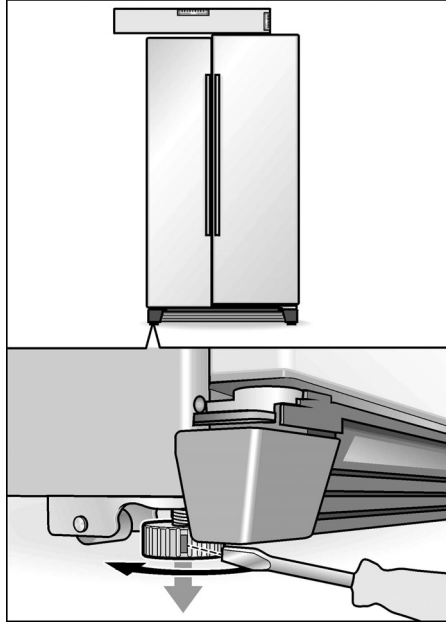
Cihaz yamuk durursa, buz hazırlayıcıdan su akabilir, farklı ebatlarda küp buz üretilebilir veya kapılar doğru kapanmayabilir.

- Cihazı öngörülmiş yere yerleştiriniz.
- Ekteki taban panosunu 3 cıvata ile sabitleyiniz.

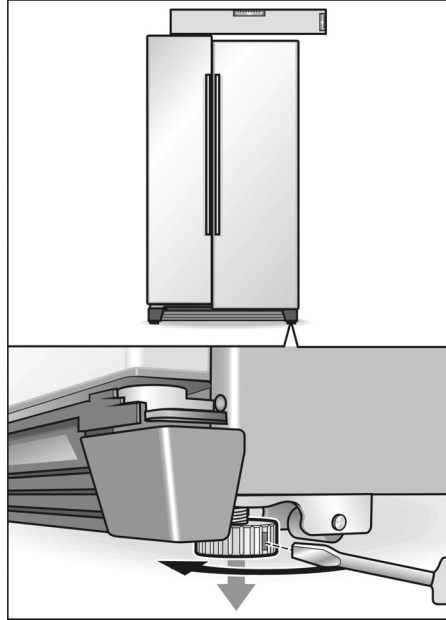


- Cihazın yerinden kayıp oynamaması için, öndeki iki ayağı iyice zemine temas edinceye kadar aşağı indiriniz.
- Cihaz hassas ayarlanıncaya kadar, ayakları çeviriniz. Kapıları referans olarak kullanınız!

Dondurucu bölümünün kapısı daha aşağıda:

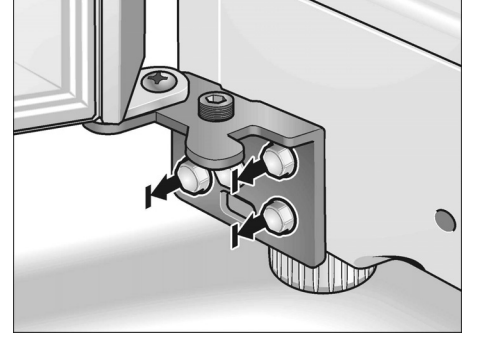


Soğutucu bölümünün kapısı daha aşağıda:

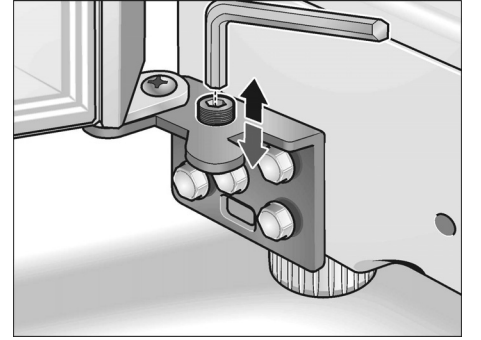


Eğer şimdiye kadar uyguladığınız işlem adımları kapıyı ayarlamaya yetmiyorsa:

- Taban panosunu çıkarınız.



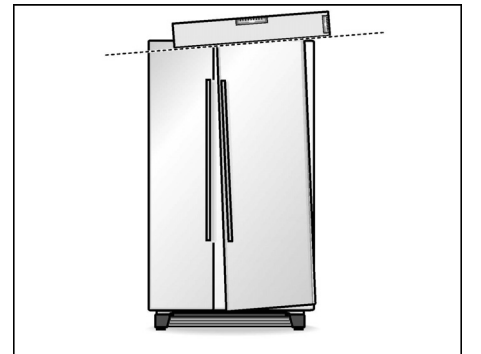
- 3 menteşe cıvatasını çözünüz. **Cıvataları tamamen söküp çıkarmayınız!**
- Altı köşeli anahtarı (alyen anahtarı) ayarlama cıvatasına takınız:



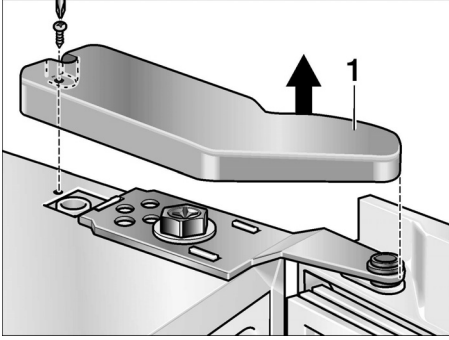
- Bir kapıyı yukarı kaldırmak için: Altı köşeli anahtarı (alyen anahtarı) saatin çalışma yönünde çeviriniz.
- Bir kapıyı aşağı indirmek için: Altı köşeli anahtarı (alyen anahtarı) saatin çalışma yönünün tersine çeviriniz.

### Not:

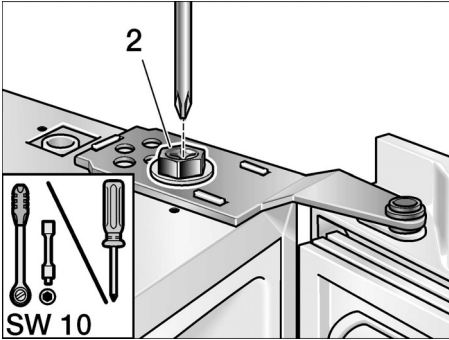
Kapağın kendi ağırlığından ve içine yerleştirilen malzemelerin ağırlığından dolayı, cihaz düzgün dursa bile, soğutucu bölümünün kapağı eğik durabilir. Kapı aralık mesafesi üstte ve altta farklı.



- Üst menteşe kapağını sökünüz (1).



- Menteşe civatasını çözünüz (2).  
Cıvata'yı tamamen söküp çıkarmayınız!



- Soğutucu bölmesi kapağının eğikliğini uygun şekilde düzeltiniz.
- Menteşe civatasını sıkınız.
- Menteşe kapaklarını sabitleyin.

## Cihazın çalıştırılması

Cihazı ekteki kullanma kılavuzuna göre çalıştırınız.

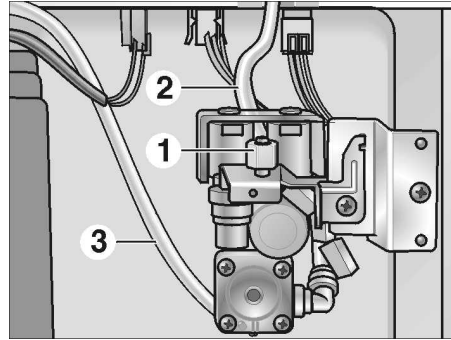
## Cihazın tamamen kapatılması

Cihazı ekteki kullanma kılavuzuna kapatınız.

Cihaz kapalı şekilde veya sıfırın altında bir derecede muhafaza edilecekse, içme suyu deposunun su kabı boşaltılmalıdır.

## Cihazın içindeki su kabının boşaltılması

- Cihazın elektrik fişini prizden çıkarınız.
- Cihaza su girişini kapatınız.
- Cihazın arka yüzünden makine bölümü kapağını sökünüz.
- Bağlantı hattını sökünüz (1).
- Yassı su toplama kabını (kapasitesi yaklaşık 3 litre) bağlantı valfinin altına yerleştiriniz.



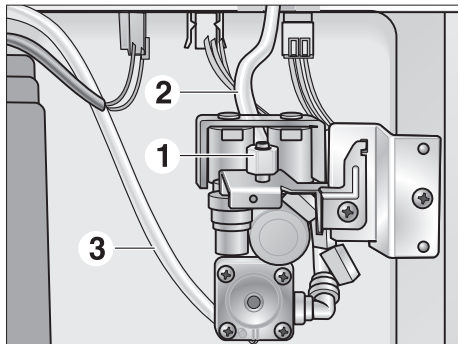
- Cihazın bağlantı valfindeki hortumları (2 ve 3) sırayla sökünüz, sularını boşaltınız ve tekrar vidalayınız.

**Önemli:** Hortumların bağlantı yerlerini karıştırmayınız!

- Boşaltma işleminden sonra makine bölümü kapağını monte ediniz.

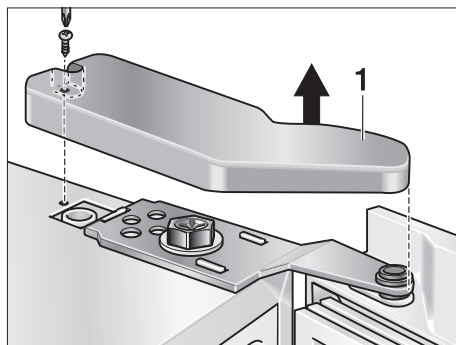
**Su musluğunu ancak cihazı tekrar çalıştırdığınız zaman açınız.**



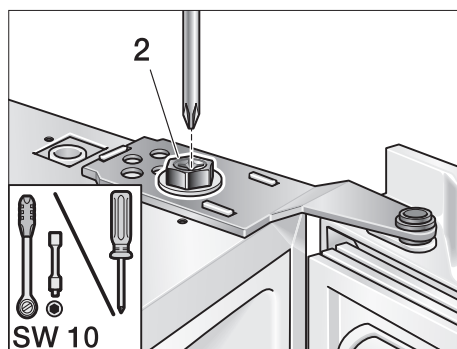


- در نقطه سوپاپ اتصال آب، شیلنگ های 2 و 3 را یکی پس از دیگری با پیچ گوشتی باز کنید و از آب تخلیه کنید و مجدداً در جایش قرارداده و با پیچ سفت کنید. تذکر مهم: جای اتصال لوله را عوض نکنید!
- پس از تخلیه لوله ها، روپوش محفظه موتور را دوباره در جایش نصب کنید.
- شیر آب را فقط پس از راه اندازی مجدد دستگاه می توانید باز کنید.

- پوشش لولای بالای یخچال را بردارید (1).



- پیچ لولا (2) را شل کنید. پیچ را کاملاً بیرون نکشید!



- در را با چارچوب منطبق و صاف کنید.
- پیچ لولا را سفت کنید.
- پوشش لولا را محکم کنید.

### راه اندازی دستگاه

دستگاه را مطابق راهنمای پیوست به راه اندازید.

### تعطیل کردن دستگاه

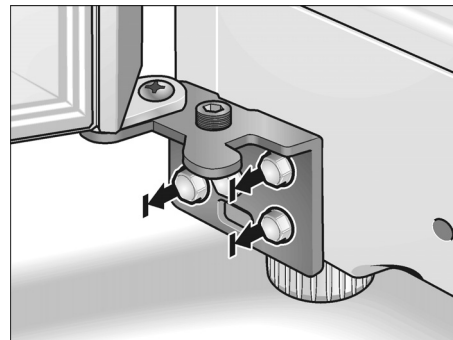
دستگاه را می توانید طبق راهنمای پیوست تعطیل کنید. در مواردی که قرار است دستگاه برای مدتی طولانی تعطیل یا در دمایی پائین تر از صفر نگهداری شود، باید مخزن آب آشامیدنی آن کاملاً تخلیه شود.

### تخلیه مخزن آب آشامیدنی

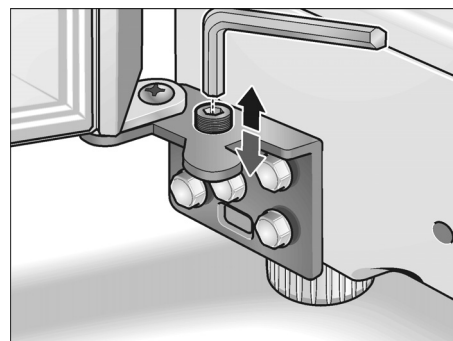
- دوشاخه را از پریز برق بکشید.
- شیر ورود آب به دستگاه را ببندید.
- در پشت دستگاه، روپوش محفظه موتور را بردارید.
- شیر اتصال (آب) را قطع کنید (1).
- تشت مسطح آب (به ظرفیت تقریباً 3 لیتر) را زیر سوپاپ اتصال قرار دهید.

اگر همه این اقدام ها برای تراز کردن در دستگاه کافی نبود:

- روپوش پایه دستگاه را بردارید



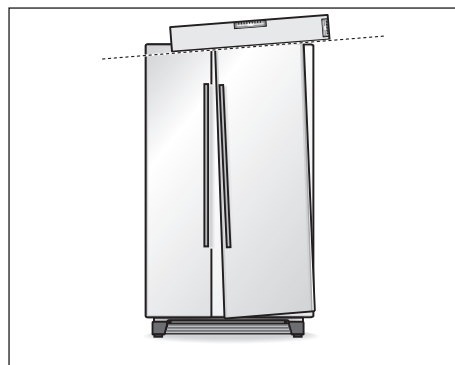
- هر سه پیچ لولا را شل کنید. پیچ ها را کاملاً باز نکنید!
- روپوش پایه دستگاه را بردارید
- آچار شش گوش را در پیچ تنظیم فرو کنید:



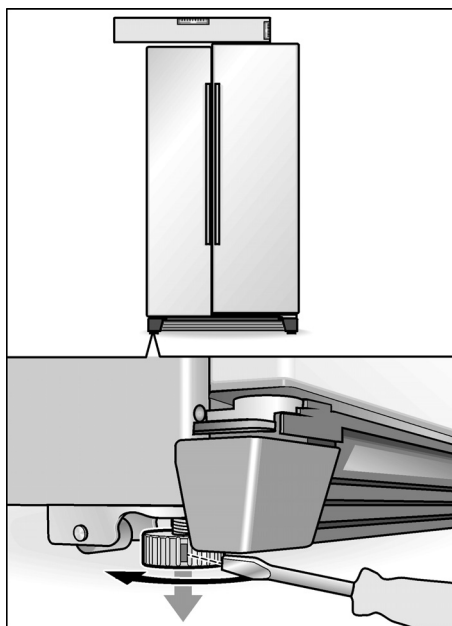
- برای بالا کشیدن در آچار را در جهت حرکت عقربه ساعت بچرخانید.
- برای پائین کشیدن در آچار را در خلاف جهت حرکت عقربه ساعت بچرخانید.

هشدار:

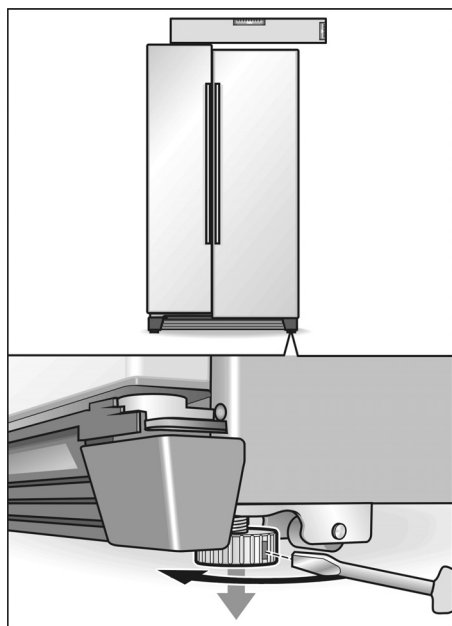
ممکن است درب یخچال در اثر وزن خود و همچنین در اثر وزن مواد خوراکی که در جعبه های آن گذاشته شده، کمی کج شود. با این که خود دستگاه کاملاً تراز است ممکن است درز میان دو در از بالا و پائین یکنواخت نباشد.



- برای اینکه دستگاه خود بخود حرکت نکند راه نیفتد، دو عدد چرخک پایه جلو را آنقدر تا پائین بپیچانید تا با کف زمین مماس شود.
- چرخک های پایه را آنقدر بپیچانید تا دستگاه دقیقاً تراز شود. از درها به عنوان نشانه تراز استفاده کنید.
- در فریز کمی پائین تر قرار گرفته است:

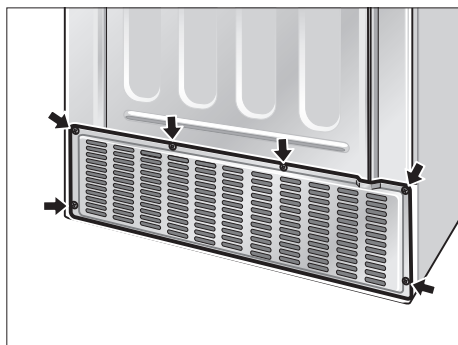


در یخچال کمی پائین تر قرار گرفته است:



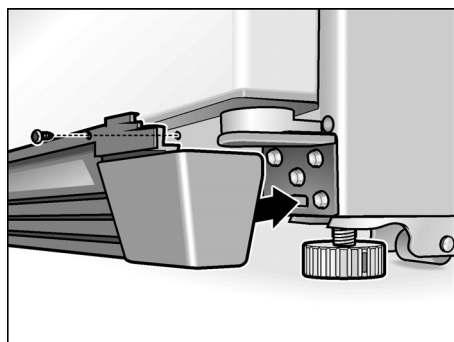
## لوله های آب را از نظر آب بندی کنترل کنید.

- دستگاه را طبق راهنمای ضمیمه به کار بیاندازید.
- طبق راهنما شیر آب را باز کنید. تا جاری شدن آب چند ثانیه طول می کشد، چون در لوله ها و مخزن آب هنوز مقداری هوا وجود دارد.
- همه اتصالات پیچی روی دستگاه و لوها را از نظر آب بندی کنترل کنید.
- پس از کنترل آب بندی، دوباره دوشاخه را از پریز برق بکشید و سپس پوشش محافظه موتور را نصب کنید.



## تراز کردن دستگاه

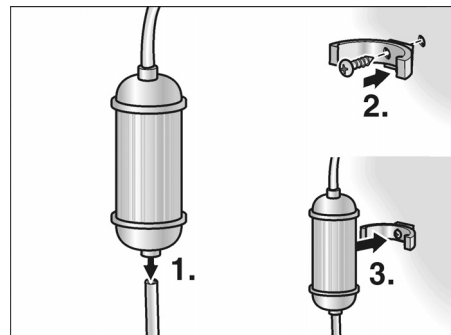
- برای این که دستگاه کاملاً خوب کار کند، باید دستگاه کاملاً افقی و تراز شده باشد.
- اگر دستگاه کمی کج قرار گرفته باشد، ممکن است منجر به آن شود که آب از دستگاه یخساز سر ریز شود، یا حبه های بسیار بزرگ یخ تولید کند یا در درها خوب بسته نشوند.
- دستگاه را در جای دلخواهتان قرار دهید.
- روپوش پایه دستگاه را که ضمیمه است، به وسیله سه عدد پیچ سفت کنید.



- لوله آب را با گیره های ضمیمه به جداره پشت دستگاه و نیز به دیوار محل استقرار سفت کنید.
- لوله آب را با پیچ و خم نصب کنید تا دستگاه بتواند از دیوار فاصله بگیرد.

## نصب فیلتر به لوله آب

- سر لوله آب را به فیلتر وصل کنید (1). جهت جریان آب را که در روی فیلتر چاپ شده رعایت کنید!



- نگهدارنده فیلتر را در طرف چپ یا راست دستگاه در نقطه ای مناسب (مثلاً کمد زیر دستشویی) محکم کنید (2) و فیلتر را در آن قرار دهید (3).

## انشعاب برق

هرگز برای وصل این دستگاه به برق از سیم رابط یا پریز تقسیم استفاده نکنید. برای وصل این دستگاه به برق به یک عدد پریز احتیاج دارید که محکم روی دیوار نصب شده باشد.

پریز برق باید در جای قابل دسترس باشد. دستگاه را به برق متناوب 220-240 ولت / 50 هرتس بوسیله یک پریزی که مطابق مقررات مونتاژ شده باشد، وصل کنید. پریز باید دارای فیوز 10 آمپر یا بیشتر باشد.

در مورد دستگاه هائی که در کشورهای غیراروپائی به کار گرفته می شوند، باید با کمک تابلو مشخصات کنترل شود، که آیا مشخصات برق مندرج در آن تابلو با مشخصات برق کشور شما مطابقت دارد یا نه. تابلو مشخصات در داخل دستگاه، طرف چپ، پائین نصب شده است. در صورت لزوم تعویض قطعه اتصال برق، این کار تنها باید بوسیله متخصص انجام گیرد.

**⚠️ احتیاط!**

هرگز دستگاه را به "پریز صرفه جوی انرژی"

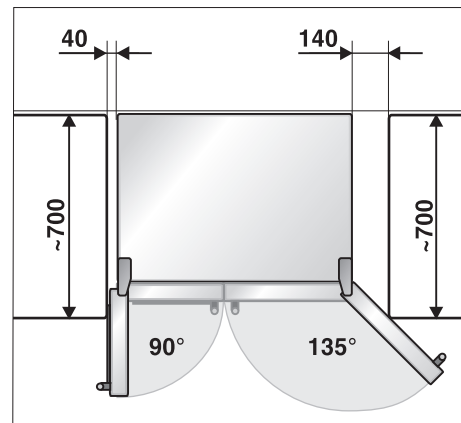
(مانند **Ecoboy; Save Plug**) و تبدیل هائی که برق مستقیم را به برق متناوب 230 ولت تبدیل می کنند، وصل نکنید (مانند دستگاه انرژی خورشیدی و شبکه برق کشتی).

تذکر مهم!

در هنگام مونتاژ یا تعویض کابل برق ضامن کابل را هم نصب کنید.

اگر وسائل آشپزخانه (از قبیل کمد یا کابینت) که مستقیماً بغل دستگاه قرار گرفته دارای 60 سانتیمتر عمق باشد، باید حداقل فاصله لازم بین آن دو رعایت شود، تا در دستگاه بتوانند با زاویه کامل باز شود.

زاویه باز شدن در	حداقل فاصله لازم
90 ° درجه	40 میلیمتر
135 ° درجه	140 میلیمتر



اگر بالای دستگاه حایل یا کمدی نصب می شود باید یک درز در آنجا تعبیه کرد تا بتوان در موارد لازم، دستگاه را از گوشه محل استقرار خارج کرد.

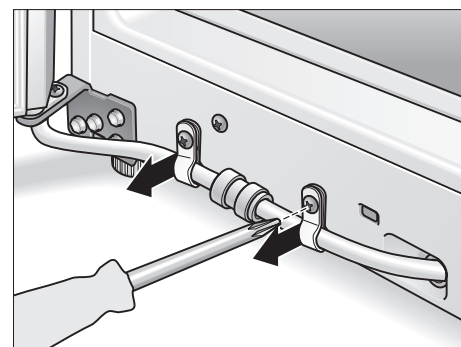
## جدا کردن درهای دستگاه

در مواردی که نمی شود دستگاه را بدلیل بزرگی از در خانه وارد کرد، می توان با باز کردن پیچ ها درها را از دستگاه جدا کرد.

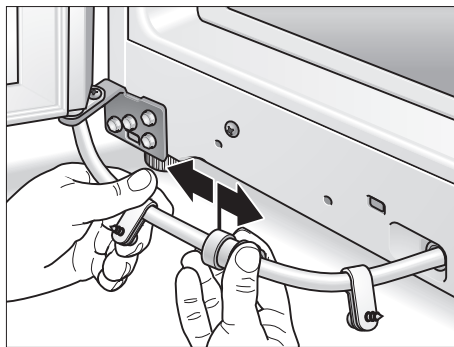
پیشنهاد ما این است که این را با کمک مرکز خدمات پس از فروش انجام دهید.

جدا کردن در فریزر

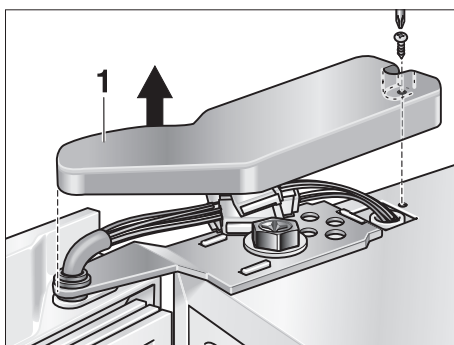
- روکش پائینی را بلند کنید.
- گیره های شیلنگ را باز کنید:
- گیره های روی شیلنگ را آزاد کنید.



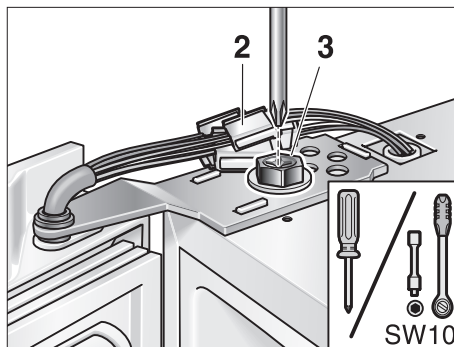
زه را در جهت فلش فشار دهید و همزمان شیلنگ را از نقطه اتصال بیرون بکشید.



- روکش لولای بالائی را بلند کنید (1).

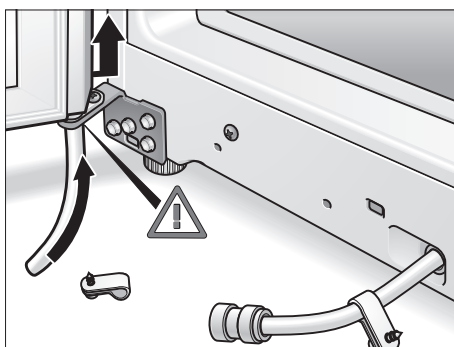


- اتصالات برقی را جدا کنید (2).



- پیچ لولای بالا را باز کنید (3)، و در همان حال در را محکم نگاه دارید.

- در را با کشیدن به طرف بالا از لولای پائین خارج کنید. در موقع برداشتن و گذاشتن در با احتیاط رفتار کنید! مواظب باشید که لوله آب آسیب نبیند.



جدا کردن در یخچال

- در یخچال را هم به همان ترتیب در فریزر جدا کنید (در در یخچال اتصالات برقی و لوله های آب تعبیه نشده است).

توجه:

قبل از آن که در هارا دوباره به ترتیب معکوس درجایشان نصب کنید، باید آزمایش کنید و ببینید که آیا دستگاه در جای خود کاملاً تراز شده و به حالت افقی قرار دارد یا نه.

## اتصال دستگاه به شبکه آبرسانی

اتصال دستگاه به انشعاب آب باید فقط توسط یک لوله کش متخصص و طبق مقررات محلی سازمان آب انجام شود.

دستگاه باید به لوله آب سرد وصل شود.

– حداقل فشار لازم: 0,1 MPa (1,0 بار)

– حداکثر فشار مجاز تا: 1,0 MPa (10,0 بار)

بسته به شرایط محلی ممکن است نصب تجهیزات فشارگیر آب به لوله ورودی آب ضروری باشد.

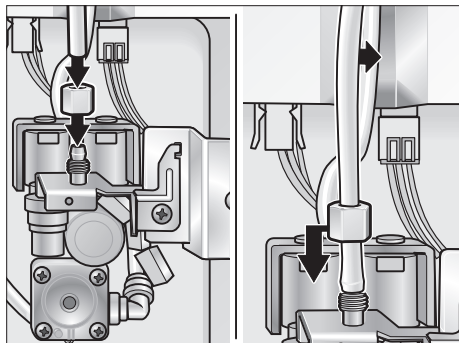
شیر آب نیم اینچی برای اتصال لوله ضمیمه باید کاملاً قابل دسترس نصب شود.

لوله های ضمیمه دارای 1,5 و نیز 7 متر طول است.

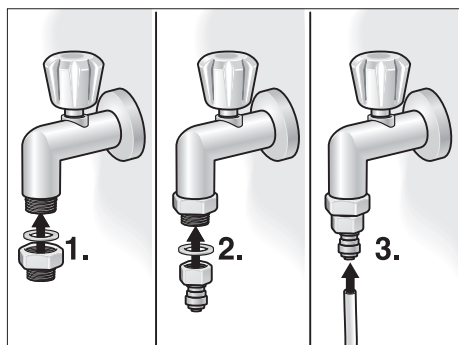
با نصب فیلتر ضمیمه به سیستم جریان آب، طعم و بوی آب می تواند بهتر شود.

## نصب

- لوله آب را به سویاپ مغناطیسی متصل کنید.



- لوله آب را به شیر متصل کنید.



## باز کردن بسته بندی دستگاه

- مواد بسته بندی و نوارهای چسب را از دستگاه دور کنید. (بقایای نوار چسب روی بدنه دستگاه را می توان با طرف چسبیده نوار های کنده شده از بدنه دستگاه کند. برای انجام این کار طرف چسبیده را نوار چسب را چندین بار روی تهمانده نوار چسب بیچسبانید و مجدداً آن بکنید.)
- قطعات ایمنی حمل و نقل قفسه ها و جعبه هارا پس از نصب دستگاه باز کنید.
- قطعات ایمنی حمل و نقل تجهیزات یخساز را پس از نصب دستگاه دفع باز کنید کنید.



توجه:

قبل از وصل دستگاه به برق باید تمام مواد بسته بندی چه از داخل و چه از خارج دستگاه باز شده باشد.

## جای استقرار دستگاه

توجه:

این دستگاه خیلی سنگین است، وزن خالص (خالی) آن در جدول زیر مشخص شده است.

مدل پایه BASIC 104 کیلوگرم

مدل با مولد (آب و یخ)

Dispenser 113 کیلوگرم

مدل دارای بار (Homebar) 115 کیلوگرم

مناسب ترین محل برای استقرار این دستگاه جایی است خشک و قابل تهویه. این محل نباید در معرض تابش مستقیم آفتاب و نیز نباید در نزدیکی مرکز حرارتی مانند اجاق خوراکی پزی، بخاری و مانند آن قرار داشته باشد. اگر ناگزیر از قراردادن آن در نزدیک مرکز حرارتی باشید، صفحه عایق مناسبی در آنجا تعبیه کنید، یا حداقل فاصله را با مرکز حرارتی به ترتیب زیر رعایت کنید:

- فاصله تا اجاق برقی 3 سانتیمتر

- فاصله تا اجاق نفتی یا زغال سنگی 30 سانتیمتر

کف زمین زیر دستگاه نباید سست و قابل نشست باشد. در صورت لزوم باید زمین زیر دستگاه محکم کاری شود.

(این دستگاه خیلی سنگین است و وزن آن در حالت خالی تقریباً بالغ بر 145 کیلو گرم و در حالت پر تا 400 کیلو گرم می شود). برای این که قسمت یخساز یخ خوب کار کند، باید دستگاه کاملاً افقی و تراز شده باشد. برای این که درهای دستگاه کاملاً باز شود، باید هنگام استقرار آن در گوشه یا کنج حائل فاصله از اطراف دستگاه رعایت شود (نگاه کنید به قسمت اندازه گیری و ابعاد دستگاه)

## راهنمای نصب دستگاه

این راهنمای نصب برای مدل های گوناگون تدوین شده است.

همه مراحل کاری پیش بینی شده در اینجا برای بعضی از مدل ها لازم نیست.

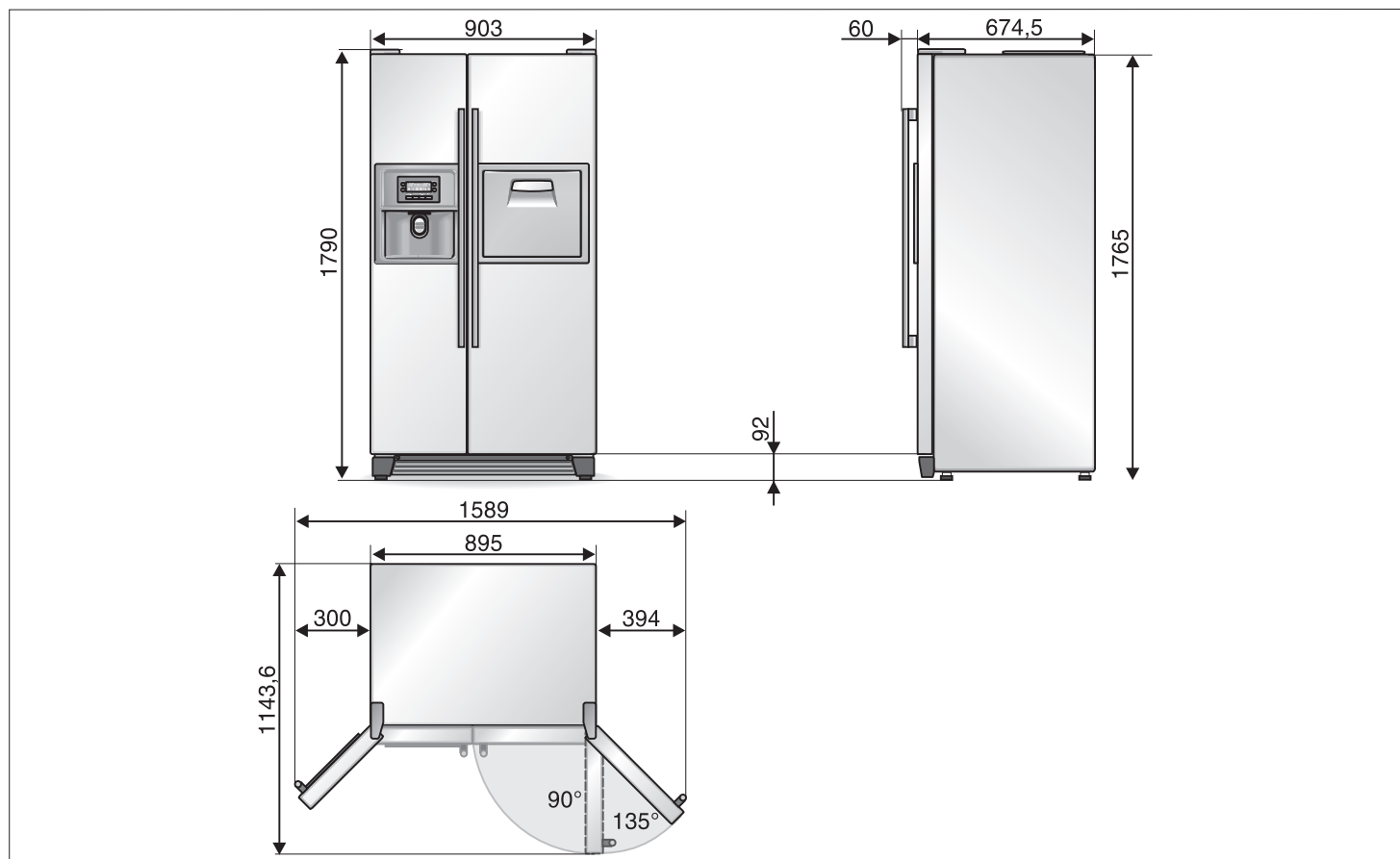
این دستگاه فقط باید توسط یک کارشناس مجاز و طبق راهنمای مونتاژ پیوست، نصب و به شبکه لوله کشی آب وصل شود.

اتصال به لوله آبرسانی حتماً باید قبل از وصل کردن به برق انجام گیرد.

علاوه بر قوانین کشوری باید مقررات محلی مربوط به انشعاب آب و برق رعایت شود.

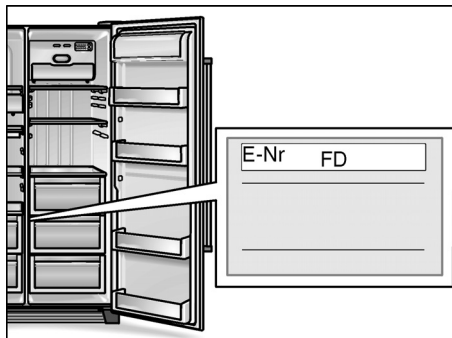
راهنمای نصب دستگاه را را به دقت نگاهداری کنید

## دستگاه ها و ابعاد لازم برای نصب آن ها



## مراجعه به خدمات پس از فروش

نشانی نزدیک ترین مرکز خدمات پس از فروش را می توانید از دفتر تلفن شرکت مخابرات محل خود یا از فهرست مراکز خدمات پس از فروش بدست آورید. لطفا در موقع مراجعه به مراکز خدمات پس از فروش شماره تولید (E-Nr.) و نیز شماره ساخت (FD-Nr.) دستگاه مورد نظر را ذکر کنید. این شماره ها در تابلو مشخصات دستگاه مندرج است.

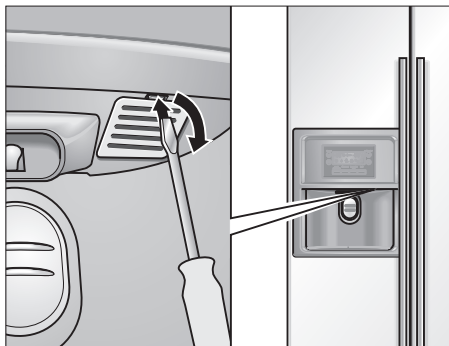


لطفا با دادن شماره های تولید و ساخت از آمدن بی جهت مأمور مرکز خدمات به خانه خودتان اجتناب کنید، و با این کار از ایجاد هزینه بیشتر برای خود پیش گیری کنید.

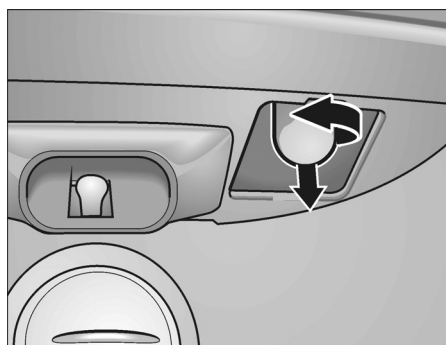
## تعویض لامپ روشنایی محفظه برداشت یخ

و آب

- توجه: دوشاخه را از پریز برق بکشید یا فیوز را قطع کنید!
- با پیچ گوشتی، سرپوش لامپ را باز کنید.



- لامپ را عوض کنید.  
(لامپ تعویضی باید دارای حداکثر 15 وات تا 220 تا 240 ولت برق متناوب، پایه E14 باشد).

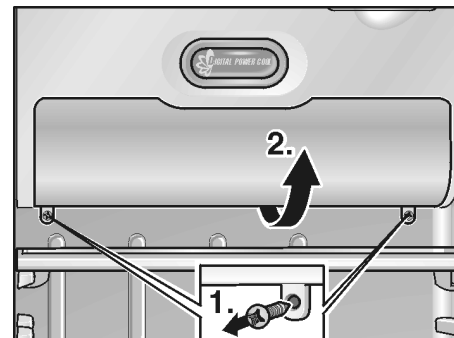


- سرپوش لامپ را دوباره نصب کنید.

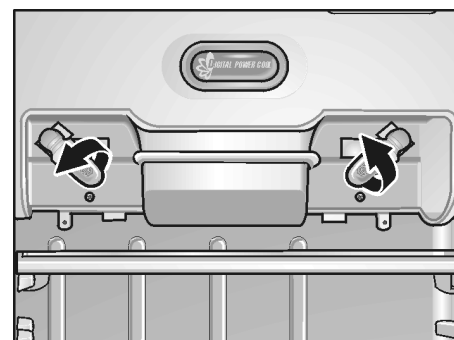
## تعویض لامپ روشنایی

### تعویض لامپ روشنایی داخل دستگاه

- توجه: دوشاخه را از پریز برق بکشید یا فیوز را قطع کنید!
- دو عدد پیچ زیر سرپوش لامپ را باز کنید و سرپوش را بردارید.



- لامپ را عوض کنید.  
(لامپ تعویضی باید دارای حداکثر 25 وات تا 220 تا 240 ولت برق متناوب، پایه E14 باشد).



- سرپوش لامپ را دوباره نصب کنید.



## دستگاه مولد آب آشامیدنی و یخ

نوع اشکال	دلایل احتمالی	راه رفع اشکال
با وجود این مدتی از راه اندازی دستگاه می گذرد، هنوز هیچ حبه یخی تولید نشده است.	شاید شیر آب بسته باشد.	شیر آب را باز کنید
	شاید آب قطع شده باشد یا فشار آب خیلی پائین باشد.	جریان را به نصب کننده دستگاه اطلاع دهید.
	شاید مولد یخ قفل باشد. در تابلو علامت ها باید نشانه آن روشن باشد.	دکمه قفل یخساز (Ice maker lock) را فشار دهید.
	شاید دمای داخل فریزر گرم باشد.	دمای داخل فریزر را به درجه پائین تر ببرید. (نگاه کنید به „تنظیم دما“)
حبه های در یخدان موجود است، اما بیرون نمی ریزد.	احتمال دارد حبه های یخ به هم چسبیده باشد.	یخدان را بیرون بیاورید و تخلیه کنید.
حبه های یخ در خروجی یخدان یا در قسمت یخ شکن گیر کرده اند.		یخدان را بیرون بیاورید و نقاله حلزونی یخ را با دست به چرخانید و در صورت لزوم قطعات چسبیده یخ را با یک میله چوبی از آن جدا کنید.
حبه های یخ خیلی خیس اند	احتمالا یخ در حال ذوب بوده است. شاید برق قطع بوده یا در فریزر خوب بسته نبوده است.	یخدان را بیرون بیاورید و تخلیه کنید و با دستمال خوب خشک کنید.
حبه های تبخیر می شوند.		هوای سردی که بالای حبه های یخ جریان دارد، باعث تبخیر و کاهش حجم آن می شود. به خصوص در مواقع مصرف کم یخ این امر کاملا طبیعی است.
دریچه خروجی مولد یخ خوب بسته نمی شود.	شاید حبه یخ مانع بسته شدن آن باشد.	حبه یخ را از آنجا دفع کنید.
حبه های به یخدان می چسبند	رسوبات آهکی آب ممکن است در سطح داخلی یخدان را پوشانده باشد.	یک تکه پارچه را با سرکه خیس کنید و داخل یخدان را با آن تمیز کنید. اگر رسوبات آهکی آب زیاد است، همیشه در موقع نظافت یخچال آن راهم تمیز کنید.
حبه های یخ بی اندازه بزرگ اند و در یخدان آب جمع شده است.	دستگاه تراز نیست.	دستگاه را بوسیله ابزار تراز و نیز به کمک چرخک تنظیم یا پیچ های پایه تراز کنید (نگاه کنید به دستور نصب).
دستگاه مولد آب آشامیدنی کار نمی کند.	شاید شیر آب بسته باشد.	شیر آب را باز کنید.
	جریان آب قطع شده یا فشار آب پائین است.	به نصب کننده دستگاه اطلاع دهید.
	شاید دمای فریزر خیلی گرم باشد.	دمای فریزر را پائین تر ببرید (نگاه کنید به قسمت تنظیم دمای دستگاه).

## دیفرايز (يخزدائی) دستگاه

يخزدائی اين دستگاه بطور اتوماتيك انجام می گيرد  
آب ناش از ذوب يخ ها و برفک ها به طرف تبخير در پشت  
يخچال می ريزد و بطور اتوماتيك تبخير می شود.

## تميز کردن دستگاه

- توجه: دوشاخه دستگاه را از پريز برق بکشيد يا فيوز آن را قطع کنيد!
- آب بندی های در را فقط با آب خالص پاک کنيد و سپس بدقت با دستمال خشک کنيد.
- دستگاه را با آب ولرم شستشو دهيد، آب شستشو نبايد به قسمت صفحه تنظيم درجه دما يا روشنائی دستگاه برسد.
- طبقه های شيشه ای را نبايد مستقيماً از فریز برداشته توی آب داغ بگذاريد.

هرگز قفسه ها و جعبه های دستگاه را در ماشين ظرفشویی تميز نکنيد، چون ممکن است اين قطعات در ماشين ظرفشویی تغيير فرم بدهد!

- پس از تميز کاری: مجدداً دو شاخه را به پريز برق فرو يا فيوز را وصل کنيد

⚠ احتياطار!

مواد يخزده را هرگز با دست تر لمس نکنيد، چون ممکن است دستتان فوراً يخ بزند.

خطر زخمي شدن!

هرگز برای نظافت دستگاه از تميز کننده با بخار استفاده نکنيد! بخار می تواند به مدار جريان برق نفوذ کند و باعث اتصال يا برق گرفتگی بشود! بخار می تواند به پوشش صنعتی سطح بدنه دستگاه آسیب بزند.

## اشکالات کوچک را خود رفع کنیم

قبل از آن که به مرکز خدمات پس از فروش مراجعه کنيد:

کنترل کنيد که آیا می توانيد به کمک راهنمائی های زیر مشکل پيش آمده را حل کنيد.

هزينه مشاوره با مرکز خدمات پس از فروش حتی در دوران ضمانت (گارانتی) نیز به عهده شماست!

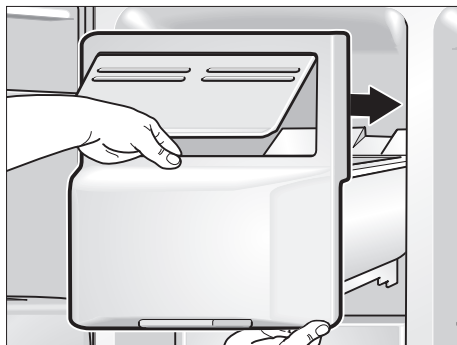
## دستگاه يخچال - فریزر

نوع اشکال	دلایل احتمالی	راه رفع اشکال
دستگاه هيچ خنک نمی کند و روشنائی داخلی هم از کار افتاده است.	شاید برق رفته، يا فيوز پريده، يا دوشاخه در پريز خوب جا نيفتاده است.	کنترل کنيد که آیا برق جريان دارد؟ فيوز متصل است؟
موتور سردکنند بيش از حد معمول روشن و خاموش می شود.	احتمالاً در دستگاه بيش از حد و پي در پي باز و بسته شده است	در دستگاه را بی دليل باز نکنيد.
دماي داخل يخچال و فریزر بيش از حد سرد است.	مقدار زيادی مواد خوراکی تازه به داخل فریزر گذاشته شده است	از حداکثر گنجایش فریزر تجاوز نشود.
دماي داخل يخزده سفت به قفسه چسبيده است.	منافذ تهويه و ورود و خروج هوا مسدود شده	مسير تهويه را آزاد کنيد.
قفسه فریزر برفک ضخيم زده است.	شاید دماي داخل دستگاه روی درجه خیلی سرد تنظيم شده است.	دماي گرم تری را انتخاب کنيد. (نگاه کنيد به بخش ,,تنظيم دما“)
روشنائی داخلی کار نمی کند.	شاید لامپ سوخته باشد.	با يک وسيله کند آن را از قفسه جدا کنيد. از کارد يا يک وسيله سرتيز استفاده نکنيد.
قفسه فریزر به دماي تنظيم شده نمی رسد	شاید کلید روشنائی گير کرده باشد.	هميشه مواظب باشيد که در دستگاه بسته بماند.
احتمالاً در فریزر مدتی طولانی باز بوده است. موتور تبخير (سردکننده) طوری يخ زده که سيستم اتوماتيك يخزدائی قادر به ديفرایز نيست.	شاید کلید روشنائی گير کرده باشد.	لامپ را تعويض کنيد (نگاه کنيد به قسمت ,,تعويض لامپ) شاید کلید روشنائی گير کرده باشد.
مواد خوراکی يخزده را از دستگاه خارج کرده و به صورت عايق بندی شده در نقطه ای خنک بگذاريد. تقريباً پس از ۱۲ ساعت يخ سيستم سرد کننده آب می شود. دستگاه را دوباره روشن کنيد و خوراکی ها را به داخل آن بگذاريد.	تذکر!	کنترل کنيد که تکان می خورد يا نه؟
در دستگاه را بی دليل زياد بازبسته نکنيد، تا سرماي دستگاه بهبوده تلف نشود.	اگر اختلال پيش آمده به کمک راهنمائی فوق برطرف نشد، لطفاً در هر حال به مرکز خدمات پس از فروش مراجعه کنيد.	

## راه های صرفه جویی در انرژی

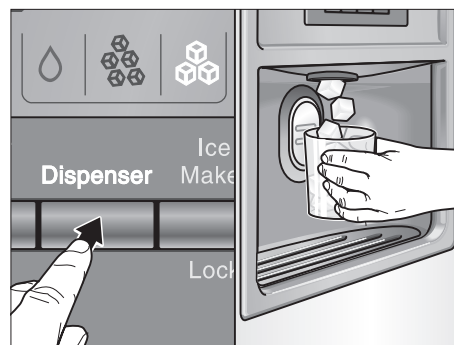
- دستگاه را در محلی خنک و کاملاً قابل تهویه قرار دهید! و آن را از تابش مستقیم آفتاب حفاظت کنید و از نزدیک کردن آن به یک مرکز حرارتی (مثلاً بخاری و اجاق خوراک پزی و مانند آن) پرهیز کنید، وگرنه از صفحه عایق استفاده کنید.
- غذاهای داغ را ابتداءً پس از سرد شدن به داخل دستگاه بگذارید.
- برای ذوب شدن یخ خوراکی های یخ زده آن ها را در یخچال بگذارید. با این عمل از سرمای مواد یخ زده برای خنک کردن مواد غذایی داخل یخچال استفاده می کنید.
- در هنگام گذاشتن چیزی به داخل دستگاه یا برداشتن چیزی از داخل آن، در دستگاه را تا سرحد امکان کوتاه باز نگهدارید.

- یخدان را روی قفسه گذاشته به عقب هل دهید تا خوب جایفتند.



- اگر احياناً یخدان کاملاً جا نمی افتد، نقاله حلزونی داخل ظرف را اندکی بیچرخانید. اکنون تولید یخ مجدداً براه می افتد.

- دکمه را فشار دهید تا علامت مخصوص یخ حبه یا یخ خرد شده روشن شود.



- ظرف مناسبی را به دکمه (pad) خروجی یخ فشار دهید. توجه:

ظرف را زمانی از دکمه جدا کنید که تقریباً نصف آن پر شده باشد، چون یخی که در خروجی جمع شده، ممکن است از ظرف سرریز شود یا خروجی را مسدود کند.

— پس از تعویض حالت یخ حبه ای به یخ خرد شده ممکن است هنوز یخ حبه ای کامل یا تکه های آن در مجرای خروجی موجود باشد که در اولین فرصت به همراه یخ خرد شده از مجرا خارج خواهد شد.

## تعطیل دستگاه یخسازی

در صورتی که طبق پیش بینی بیش از یک هفته از تجهیزات یخسازی استفاده نخواهید کرد (مثلاً به مرخصی می روید)، بهتر است که قسمت یخسازی موقتاً تعطیل کنید تا از به هم چسبیدن حبه های یخ پیش گیری شود.

- برای انجام این هدف دکمه قفل یخسازی (Ice maker lock) را فشار دهید علامت مخصوص روشن می شود.



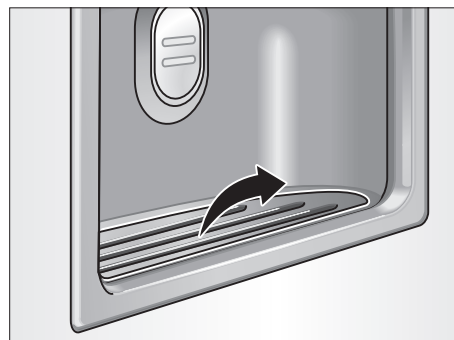
- ظرف یخدان را از دستگاه خارج کنید و آن را خالی کرده و مجدداً در جایش قرار دهید. مواظب باشید که یخدان خوب جایفتند.

برای راه اندازی مجدد یخسازی

- دکمه قفل یخسازی (Ice maker lock) را فشار دهید. علامت قفل خاموش می شود.

## تشست آبگیر را بردارید و بشوئید

آب های سررفته در تشست زیر شیر آب آشامیدنی جمع می شود. برای خالی کردن و شستن این تشست می توان آن را از جایش خارج کرد.



## یخدان را بردارید و بشوئید

اگر مدتی طولانی یخ مصرف نکرده باشید، حبه های یخ موجود در مخزن چروکیده می شوند و طعم ماندگی به خود می گیرند و به هم می چسبند.

- مخزن یخ را بیرون بیاورید و از یخ تخلیه کنید و با آب ولرم بشوئید.
- یخدان و نقاله حلزونی یخ را خوب با دستمال خشک کنید تا حبه هائی که از نو درست می شوند، به آن نچسبند.

## صداهای دستگاه در موقع کار

### صدای کاملاً طبیعی دستگاه

صدایی شبیه «غرولند» - نشانه آن است که کمپرسور کار می کند یا سوپاپ تهویه کار می کند. صدای «پولوق پولوق»، «وز وز»، و «غرغره» از گردش ماده سرمازا در لوله ها و نیز از ریزش آب به ظرف یخسازی ایجاد می شود. صدای تک تک نشانه روشن یا خاموش شدن موتور یا باز و بسته شدن سوپاپ شیر آب است. صدای تق تق ناشی از ریختن حبه های یخ به یخدان است.

### صداهایی که به آسانی برطرف می شود

دستگاه تراز نیست

انحراف دستگاه را به کمک یک تراز برطرف کنید. در این موارد از پیچ های پای دستگاه استفاده کنید یا چیزی زیر آن بگذارید.

دستگاه «کم» داده است

دستگاه را از مبل یا چیزهایی که به آن لم داده، دور کنید.

کشوها، سبدها یا قفسه ها جانيفتاده اند و لق شده اند یا به چیزی گیر کرده اند.

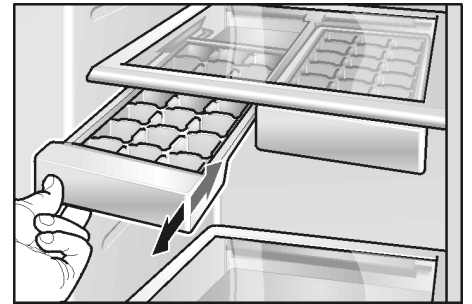
همه قطعات جداشدنی را کنترل کنید و احیا از جای شان بردارید مجدداً نصب کنید.

بطری ها یا ظروف به هم مماس شده اند

بطری ها و ظرف ها را کمی از هم جدا کنید.

## تهیه یخ حبه ای

(مدل بدون تجهیزات یخسازی)



- ظرف یخ را تا سه چهارم ظرفیت از آب پر کنید و سپس آن را توی فریزر بگذارید.
- برای جدا کردن حبه یخ از ظرف کافی است که آن را اندکی زیر آب بگیرید یا کمی آن را تاب بدهید.

## تجهیزات اتومایک آب آشامیدنی

## و یخ

بسته به نیاز در اختیار شما قرار می گیرد:

- آب خنک
- حبه یخ
- یخ خرد شده

⚠️ **اخطار!**

هرگز ظرف شکننده ای را برای برداشت آب یا یخ بکار نبرید - خطر زخمی شدن در اثر شکستن ظرف شیشه ای دست به خروجی یخ نزدیک، چون خطر بریدگی در اثر تماس با تیغه یخ شکن هست!

تذکر:

تجهیزات مولد یخ و آب آشامیدنی تنها زمانی کار می کند که دستگاه به شبکه لوله کشی آب متصل باشد.

## در هنگام راه اندازی دستگاه جدید به این نکات توجه کنید

پس از متصل کردن دستگاه به شبکه آبرسانی ممکن است در لوله های دستگاه حباب های هوا موجود باشد.

لوله آب آشامیدنی را آنقدر باز نگهدارید تا آب شیر هیچ حباب نداشته باشد. پنج لیوان اول آب را دور بریزید.

اگر تجهیزات یخسازی برای نخستین بار بکار می افتد، 30 تا 40 حبه اول یخ را بدلائل بهداشتی مصرف نکنید.

## تذکراتی در باره کارکرد تجهیزات یخسازی

همین که دمای داخل فریزر به حد مطلوب رسید، آب به داخل مولد یخ جاری و در آنجا به حبه یخ تبدیل می شود. حبه های آماده یخ به طور اتوماتیک به یخدان می ریزند.

ممکن است احيانا حبه های یخ به هم بچسبند، اما در موقع انتقال به خارج معمولاً خود بخود از هم جدا می شوند.

اگر یخدان پر باشد، مولد یخ بطور اتوماتیک از کار می افتد. مولد یخ می تواند تقریباً 100 حبه یخ در عرض 24 ساعت تولید کند.

از گذاشتن بطری نوشابه به داخل یخدان برای خنک کردن سریع، حتما خودداری کنید، چون مولد یخ ممکن است قفل کند و آسیب ببیند.

پس از به کار انداختن دستگاه تقریباً 24 طول می کشد، تا نخستین پرس یخ تولید شود.

در موقع یخسازی دستگاه، صدای وزوز سویاپ و ریزش آب به ظرف یخ و ریختن حبه های یخ به داخل یخدان به گوش می رسد.

## کیفیت آب آشامیدنی

همه قطعات خنک مولد آب خنک از مواد بی بو و بی طعم فراهم شده است.

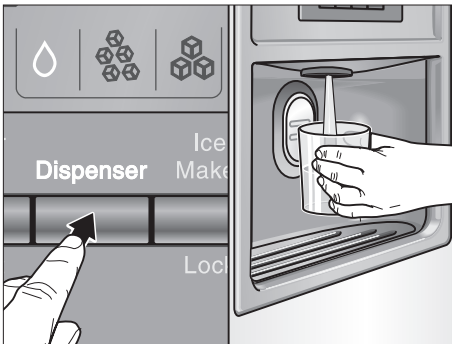
اگر در عین حال آب آشامیدنی مزه اضافی داشت، می تواند ناشی از دلایل زیر باشد:

- ناشی از مواد معدنی یا کلر آب باشد.
- ناشی از جنس لوله های آب یا لوله انشعاب آب باشد.
- عدم تازگی آب باشد (اگر آب مدنی طولانی در لوله ساکن مانده باشد، می تواند طعم "آب مانده" بگیرد. در این حالت تقریباً 15 لیوان آب از شیر دستگاه بردارید و دور بریزید).

فیلتر پیوست فقط مواد اضافی آب را می گیرد نه باکتری و میکروب را.

## برداشت آب

- دکمه را فشار دهید تا علامت مخصوص روشن شود.



- لیوان را به دکمه (pad) خروجی آب فشار دهید. همین که لیوان را از روی کلید بردارید، آب قطع می شود.

توجه:

آب آشامیدنی دستگاه باندازه مناسب دهان خنک است، اگر مایلید که بیشتر خنک باشد، یکی دو حبه یخ از دستگاه به آن اضافه کنید.

## مواد مناسب بسته بندی:

ورقه نازک پلاستیکی، لوله (فویل) ساخته شده از ماده پلی اتیلن (Polyethylen)، فویل آلومینیومی و قوطی مخصوص فریزر. این مواد در فروشگاه های مخصوص عرضه می شود.

## وسایل مناسب برای بستن سر پاکت های فریز:

حلقه های کشی، چفت های پلاستیکی، نخ های بسته بندی، نوارهای چسب مقاوم در برابر سرما و مانند آن.

سر پاکت ها و لوله های فویل ساخته شده از ماده پلی اتیلن (Polyethylen) را می توان با دستگاه مخصوص جوش داد.

## حداکثر قدرت فریز

شما می توانید در عرض 24 ساعت مقدار 10 کیلوگرم مواد خوراکی را فریز کنید.

## قابلیت نگهداری مواد یخزده

قابلیت نگهداری مواد یخزده

قابلیت نگهداری مواد یخزده بستگی به نوع آن دارد.

ر دمای متوسط:

ماهی، کالباس، خوراکی های آماده، نان و شیرینی	تا 6 ماه
پنیر، گوشت پرندگان، گوشت	تا 8 ماه
سبزیجات، میوه	تا 12 ماه

## ذوب کردن یخ مواد فریز شده

بسته به نوع مواد و غرض از کاربرد، از امکانات زیر می توان بهره گرفت:

- در دمای اتاق،
- در دمای داخل یخچال،
- در داخل فر برقی
- با دمنده گرم یا بدون آن
- در دستگاه ماکروویو

تذکر:

مواد فریز شده ای را که یخ آن شروع به ذوب شدن کرده یا ذوب شده، دیگر مجددا فریز نکنید. تنها پس از پختن یا سرخ کردن یا تبدیل آن به غذای آماده مجددا می توان آن را فریز کرد.

در این صورت قابلیت مصرف کوتاه تر از حداکثر مدت مجاز خواهد بود.

## فریز کردن و انبار کردن

### انبار کردن مواد یخ زده

در هنگام خرید مواد خوراکی یخ زده به این نکات دقت کنید:

- اگر مواد خوراکی یخ زده می خرید، به بسته بندی آن توجه کنید. بسته بندی نباید هیچ آسیبی خورده باشد.
- تاریخ اعتبار قابلیت مصرف آن نباید گذشته باشد.
- درجه دمای فریزر فروشگاه باید سردتر از منهای 18 سانتیگراد باشد، در غیر اینصورت زمان مجاز نگهداری مواد فریز شده کوتاه تر می شود.
- مواد خوراکی یخ زده را در آخرین لحظات قبل از مراجعت به خانه خریداری کنید و آن را کاملا در کاغذ روزنامه به پیچید یا در کیسه مخصوص نگهداری مواد یخ زده بگذارید و فوراً بخانه بیاورید
- مواد خوراکی یخ زده را به محض رسیدن به خانه فوراً در فریز بگذارید. مواد خوراکی فریز شده را قبل از پایان تاریخ صلاحیت مصرف کنید.
- مواد خوراکی یخ زده ای را که یخش باز شده باشد، مجددا فریز نکنید. مگر آن که از آن ها، خوراک آماده (با پختن یا سرخ کردن) تهیه کنید. در این صورت می توانید آن را مجددا فریز کنید.

## در هنگامی که خودتان مواد خوراکی را

### فریز می کنید!

مواد خوراکی که خودتان فریز می کنید، باید تازه، سالم و کاملاً بی عیب باشد. مواد خوراکی را در بسته بندی بدون هوا فریز کنید، تا طعم آن از بین نرود و رطوبت و تازگی آن حفظ شود. مواد خوراکی باید با سرعت هرچه بیشتر بطور کامل یخ بزند.

## روش بسته بندی درست

- مواد خورکی را در توی بسته قرار دهید.
- هوای آن را با فشار دادن کاملاً خارج کنید
- سر آن را محکم ببندید
- روی بسته، محتوا و تاریخ یخ زدن را بنویسید

## مواد نامناسب بسته بندی:

کاغذ مخصوص پختن نان و شیرینی، ورقه پرگامن، ورقه ساخته شده از سلوفان (Cellophan)، پاکت های زباله و پاکت پلاستیکی که برای خرید مصرف شده است.

## قسمت فریزر

دمای داخل فریزر از منهای 16 درجه سانتیگراد تا منهای 22 درجه سانتیگراد قابل تنظیم است. ما منهای 18 درجه سانتیگراد را پیشنهاد می کنیم.

استفاده از فریزر برای موارد زیر است:

- برای ذخیره کردن مواد یخزده
- برای فریز کردن مواد خوراکی
- برای تهیه یخ حبه ای

تذکر:

مواد غذایی که در فریزر همیشه باشد. در صورت باز ماندن در فریزر یخ غذاهای فریز شده با می شود و فضای داخل فریزر به شدت برقی می زند.

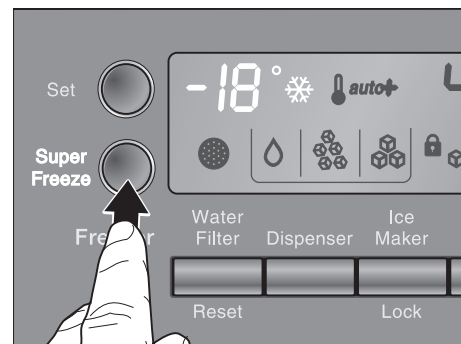
علاوه بر این: در اتر مصرف بالای برق، انرژی بهدر می رود.

## درجه بالای فریز (سوپر)

حالت فریز سوپر برای فریز کردن مقادیر زیاد مواد خوراکی است و باید بسته به مقدار مواد تا 24 ساعت قبل از گذاشتن مواد به داخل فریز فعال شود. در حالت فریز سوپر دمای فریزر به سردترین درجه ممکن میرسد.

برای فعال کردن این برنامه

- دکمه super را فشار دهید.



هربار که این دکمه را فشار دهید، این برنامه فعال می شود یا متوقف می گردد. فعال شدن برنامه فریز سوپر در تابلو علامت ها نشان داده می شود.



## قفسه بار

## مواد غذایی نامناسب برای نگهداری در

### سردخانه:

- از گذاشتن میوه جات و سبزیجات حساس در برابر یخزدگی (میوه های مناطق جنوبی و گرمسیر، آوآکادو، پاپایا، ماراکویا، بادمجان، خیار، فلفل دلمه ای)
- میوه های نارس برای رسیدن (گوجه فرنگی سبز، موز)
- سیب زمینی
- اپنیر سفت

## در موقع خرید مواد خوراکی به این نکات

### دقت کنید.

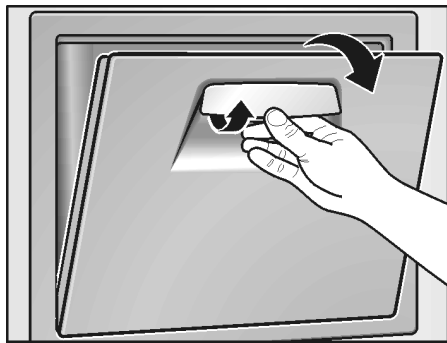
برای قابلیت نگهداری مواد غذایی مهم تر از هر چیز "تازگی آن در موقع خرید" است. قاعده اساسی این است: هرچه تازه تر مواد خوراکی در قفسه سردخانه گذاشته شود، طولانی تر قابل نگهداری است. بنابراین همیشه در موقع خرید مواد خوراکی به میزان تازگی آن دقت کنید.

زمان نگداری (در صفر درجه سانتیگراد):

بسته به کیفیت در آغاز نگهداری	
کالباس، کالباس بیا پنیر ورقه ای، گوشت، دل و قلوه و مانند آن، ماهی، شیر تازه، ماست چکیده	تا 7 روز
گوشت قیمة، سوسیس، قارچ، کاهو، سبزی هائی مانند اسفناج	تا 10 روز
قطعات بزرگ گوشت، خوراکی های آماده	تا 15 روز
کالباس های دودزده یا نمک سود، انواع کلم	تا 20 روز
قطعات بزرگ گوشت سرخ کرده، گوشت گاو، گوشت شکار، حیوانات	تا 30 روز

(در همه مدل ها نیست)

این امکان برای برداشتن سریع نوشابه و مانند آن از یخچال است. در این صورت باز کردن در یخچال لازم نیست.



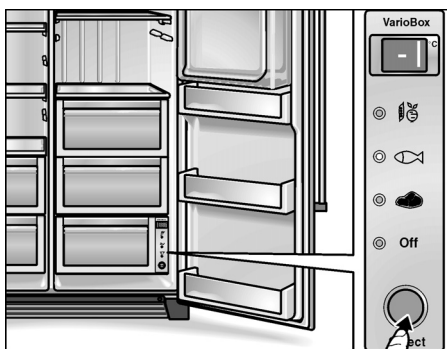
## قفسه سردخانه

(در همه مدل ها نیست)

دمای داخل این قفسه تقریباً در صفر سانتیگراد ثابت می ماند در این قسمت می توان خوراکی های تازه یخ زده را به بهترین صورت نگهداری کرد.

برای بهترین نوع نگهداری خوراکی های تازه فریز نشده:

- دکمه مناسب هریک از خوراکی ها (سبزی/ماهی/ گوشت) را روی تابلو نشانه ها انتخاب کنید. موضوع انتخاب شده با روشن شدن علامت مربوط و نیز ظاهر شدن درجه دما در روی صفحه تصویر نشان داده می شود.



تذکر:

- دمای این قفسه در حالت "Off" دمای قفسه بالائی آن است.
- دمائی که نشان داده می شود، دمای مطلوب است و ممکن است با دمای واقعی داخل قفسه تفاوت ناچیزی داشته باشد.

## قسمت یخچال

دمای داخل یخچال از +2 درجه سانتیگراد تا +8 درجه سانتیگراد قابل تنظیم است. پیشنهاد ما این است که یخچال را روی +4 درجه سانتیگراد تنظیم کنید.

## مواد خوراکی مناسب برای نگهداری

### در یخچال

برای نگهداری نان و شیرینیجات، خوراکی های آماده، انواع کنسروها، شیرعسل، انواع پنیرهای سفت، میوه جات و سبزیجات حساس در برابر یخزدگی: میوه های مناطق جنوبی و گرمسیر مانند نارنگی، موز، آناناس، خربزه، آوآکادو، پاپایا، ماراکویا، بادمجان، و نیز برای رسیدن میوه های نارس، همچنین گوجه فرنگی، خیار، گوجه فرنگی سبز، سیب زمینی.

## در هنگام چیدن مواد خوراکی در داخل

### دستگاه به این نکات توجه کنید:

- خوراکی های گرم را در بیرون دستگاه خنک کنید.
- مواد خوراکی را در بسته های بدون هوا در داخل دستگاه بگذارید، تا طعم آن از بین نرود و رطوبت و تازگی آن حفظ شود.
- قسمت های پلاستیکی و نیز لاستیک های آب بندی درها نباید به روغن و چربی آلوده شود.
- مایعات الکلی دارای درصد بالا را فقط در بطری کاملاً بسته و به صورت ایستاده نگهداری کنید و هرگز در داخل دستگاه مواد قابل انفجار نگهداری نکنید. خطر انفجار!

## خنک کننده "سوپر"

این برنامه برای خنک کردن سریع مواد خوراکی یا نوشابه است که باید در یخچال نگهداری شود. با استفاده از برنامه خنک کننده سوپر داخل یخچال تا سرحد ممکن خنک می شود.

- دکمه **super** را فشار دهید.



هر بار که این دکمه را فشار دهید، این برنامه فعال می شود یا متوقف می گردد. فعال شدن برنامه خنک کننده سوپر در تابلو علامت ها نشان داده می شود.

## تقسیمات متنوع فضای داخلی

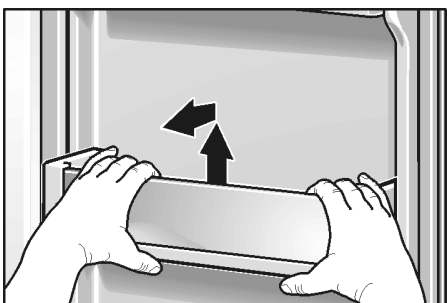
### دستگاه

شما می توانید طبقه های داخل و نیز قفسه های توی در را بسته به نیاز تغییر دهید.

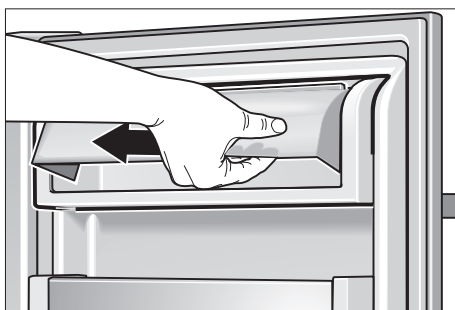
- طبقه را به طرف جلو بکشید و جایش خارج کنید.



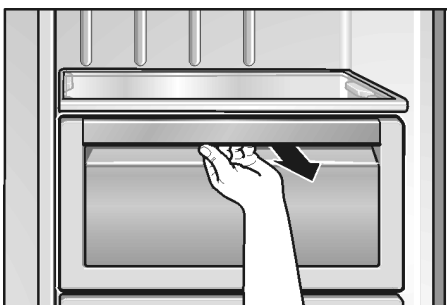
- ظرف را کمی بلند کنید و جایش خارج کنید.



- در قفسه کره و پنیر را کمی بلند کنید و به طرف چپ فشار دهید و خارج کنید.



- کشوها را به طرف جلو بکشید و بعد کمی بلند کنید تا خارج شود.



## خاموش کردن و تعطیل دستگاه

### خاموش کردن دستگاه

- دو شاخه را از پریز برق بکشید

### تعطیل کردن دستگاه

اگر دستگاه مدتی طولانی مورد استفاده قرار نگیرد:

- همه مواد خوراکی را از دستگاه خارج کنید.
- شیر آب را قطع کنید.
- ظرف یخ حبه ای را خالی کنید (قسمت "تمیز کردن دستگاه" را بخوانید)
- بقایای آب آشامیدنی را از ظرف آن خارج کنید.
- دو شاخه را از پریز برق بکشید.
- داخل دستگاه را تمیز کنید (نگاه کنید به قسمت "تمیز کردن دستگاه")

برای جلوگیری ایجاد بوی نامطبوع درهای دستگاه را باز بگذارید.

- اگر در اثر سردی هوا احتمال یخزدگی می رود، باید ظرف آب آشامیدنی دستگاه توسط یک متخصص کاملاً خالی شود (نگاه کنید به قسمت "راهنمای نصب")

در موارد اسباب کشتی نکات زیر را رعایت کنید:

- همه قطعات جداشدنی دستگاه را باز کنید و هر کدام را با احتیاط و دقت کامل بسته بندی کنید. درهای دستگاه را با نوار چسب از باز شدن حفاظت کنید و خود دستگاه را فقط به حالت ایستاده حمل کنید

## تجهیزات دستگاه

### آژیر در

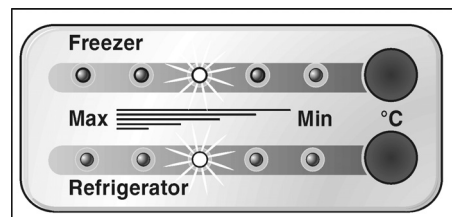
در مواقعی که یکی از درهای دستگاه باز بماند، پس از یک دقیقه صدای آژیر بلند می شود و هر 60 ثانیه یک بار برای مدت 5 دقیقه تکرار می شود.

### خاموشی اتوماتیک روشنایی داخلی

در مواقعی که یکی از درهای دستگاه بیش تر از 10 دقیقه باز بماند، چراغ روشنایی داخل دستگاه به طور اتوماتیک خاموش می شود، تا از ایجاد حرارت زیاد جلوگیری و نیز در مصرف انرژی صرفه جویی شود.

## دستگاه دارای هدایت درجه دما

- این دستگاه دارای هدایت درجه دمای یخچال و فریزر به جداگانه است.
- اندازه های تعیین شده در کارخانه هر کدام در حد وسط جدول قرار دارد.

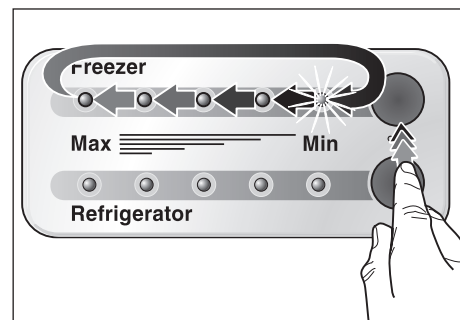


تذکر:

پنج نشانگر (LED) همه محدوده دمای یک قسمت را نشان می دهد، مثلاً قسمت قفسه یخچال از +2 سانتیگراد تا +8 سانتیگراد.

برای تغییر دادن اندازه ها باید:

- دکمه تنظیم را آنقدر فشار دهید، تا درجه مورد نظرتان روی تابلو ظاهر شود.



نشانگر اندازه های دما در هنگام تنظیم دما به ترتیب از پائین ترین به بالاترین درجه حرکت می کند، و هر بار که نشانگر به بالاترین درجه می رسد، پس از آن به پائین ترین درجه بر می گردد.

## نصب دستگاه

### جای استقرار دستگاه

مناسب ترین محل برای استقرار این دستگاه جایی است خشک و قابل تهویه. این محل نباید در معرض تابش مستقیم آفتاب و نیز نباید در نزدیکی مرکز حرارتی مانند اجاق خوراک پزی، بخاری و مانند آن قرار داشته باشد. اگر ناگزیر از قراردادن آن در نزدیک مرکز حرارتی باشید، صفحه عایق مناسبی در آنجا تعبیه کنید، یا حداقل فاصله را با مرکز حرارتی به ترتیب زیر رعایت کنید:

- فاصله تا اجاق برقی 3 سانتیمتر
- فاصله تا اجاق نفتی یا زغال سنگی 30 سانتیمتر
- کف زمین زیر دستگاه نباید سست و قابل نشست باشد. در صورت لزوم باید زمین زیر دستگاه محکم کاری شود.
- این دستگاه خیلی سنگین است، وزن خالص (خالی) آن در جدول زیر مشخص شده است.

مدل پایه BASIC 104 کیلوگرم

مدل با مولد (آب و یخ)

Dispenser 113 کیلوگرم

مدل دارای بار (Homebar) 115 کیلوگرم

برای این که تجهیزات یخساز خوب کار کند، باید دستگاه کاملاً افقی باشد. برای میزان کردن دستگاه از تراز استفاده کنید. در صورتی که دستگاه را در گوشه یا کنجی قرار می دهید، برای اینکه درهای آن کاملاً باز شود، باید حداقل فاصله لازم تا دیوارهای اطراف آن رعایت شود (نگاه کنید به بخش ابعاد و اندازه های دستگاه).

### نصب و اتصال دستگاه

این دستگاه باید توسط یک کارشناس رسمی طبق راهنمای پیوست، نصب و به شبکه لوله کشی آب وصل شود.

پس از استقرار دستگاه باید قبل از آن که آن را به کار بیاورید، دست کم نیم ساعت صبر کنید. زیرا ممکن است در خلال حمل و نقل دستگاه، روغن داخل کمپرسور به سیستم سرمازا نفوذ کرده باشد.

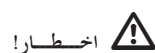
قبل از این که دستگاه را برای اولین بار به راه می اندازید، داخل آن را پاک کنید (نگاه کنید به دستور پاک کردن دستگاه).

### انشعاب برق

هرگز برای وصل این دستگاه به برق از سیم رابط یا پریز تقسیم استفاده نکنید. برای وصل این دستگاه به برق به دو عدد پریز احتیاج دارید که محکم روی دیوار نصب شده باشد.

پریز برق باید در جای قابل دسترس باشد. دستگاه را به برق متناوب 220-240 ولت / 50 هرتس بو سیله یک پریزی که مطابق مقررات مونتاژ شده باشد، وصل کنید. پریز باید دارای فیوز 10 آمپر یا بیشتر باشد.

در مورد دستگاه هائی که در کشورهای غیراروپائی به کار گرفته می شوند، باید با کمک تابلو مشخصات کنترل شود، که آیا مشخصات برق مندرج در آن تابلو با مشخصات برق کشور شما مطابقت دارد یا نه. تابلو مشخصات در داخل دستگاه، طرف چپ، پائین نصب شده است. در صورت لزوم تعویض قطعه اتصال برق، این کار تنها باید بوسیله متخصص انجام گیرد.



⚠️ احتیاط!

هرگز دستگاه را به "پریز صرفه جوی انرژی" (مانند **Ecoboy; Save Plug**) و تبدیل هائی که برق مستقیم را به برق متناوب 230 ولت تبدیل می کنند، وصل نکنید (مانند دستگاه انرژی خورشیدی و شبکه برق کشتی).

### به دمای محیط و تهویه آن توجه کنید

نوع منطقه جوی در تابلو مشخصات در جدول مندرج است. این جدول نشان می دهد که دستگاه را در کدام درجه دما می توان به کار انداخت.

منطقه جوی	درجه مجاز دمای داخل فضا
SN	از +10 تا +32 درجه سانتیگراد
N	از +16 تا +32 درجه سانتیگراد
ST	از +16 تا +38 درجه سانتیگراد
T	از +16 تا +43 درجه سانتیگراد

### تهویه

هرگز سوراخ های ورود و خروج هوا را که در قسمت جلوی پایه دستگاه قرار دارد نندید، در غیر این صورت موتور سردکننده باید بیشتر کار کند و در نتیجه مصرف برق بالا می رود.

## روشن کردن دستگاه

- دوشاخه را به پریز برق فرو کنید.

دستگاه پس از وصل شدن به برق شروع به کار می کند. اگر در دستگاه را حالا باز کنید، چراغ روشنائی داخل دستگاه روشن می شود.

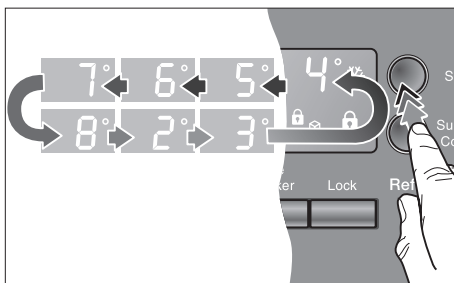
تذکر:

دمای داخل دستگاه تقریباً پس از تقریباً دو تا سه ساعت به درجه ای که در کارخانه قبلاً تعیین شده می رسد. قبل از رسیدن به درجه اهیچ نوع مواد خوراکی در داخل دستگاه نگذارید.

برای تغییر دادن دمائی که قبلاً تنظیم شده، نگاه کنید به بخش "تنظیم دما"

## تنظیم دمای دستگاه

- درجه دمای یخچال و فریزر بطور جداگانه قابل تنظیم است. درجه تنظیم شده روی تابلو علامت نشان داده می شود.
- درجه دمای تنظیم شده در کارخانه برای یخچال 4 درجه سانتیگراد است.
- درجه دمای تنظیم شده در کارخانه برای فریزر 19 درجه زیر صفر سانتیگراد است.
- برای تغییر این اندازه ها باید:
- دکمه تنظیم را آنقدر فشار دهید، تا درجه مورد نظرتان روی تابلو ظاهر شود.

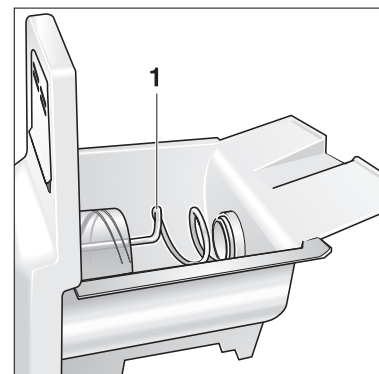


آخرین درجه تنظیم شده در حافظه سیستم ذخیره می شود.

چنانچه قسمت هائی که در اینجا ترسیم شده، در دستگاه شما نباشد، معلول آن است که آن ها مربوط به مدل های دیگر است.

## دستگاه یخساز

## جای برداشت یخ و آب

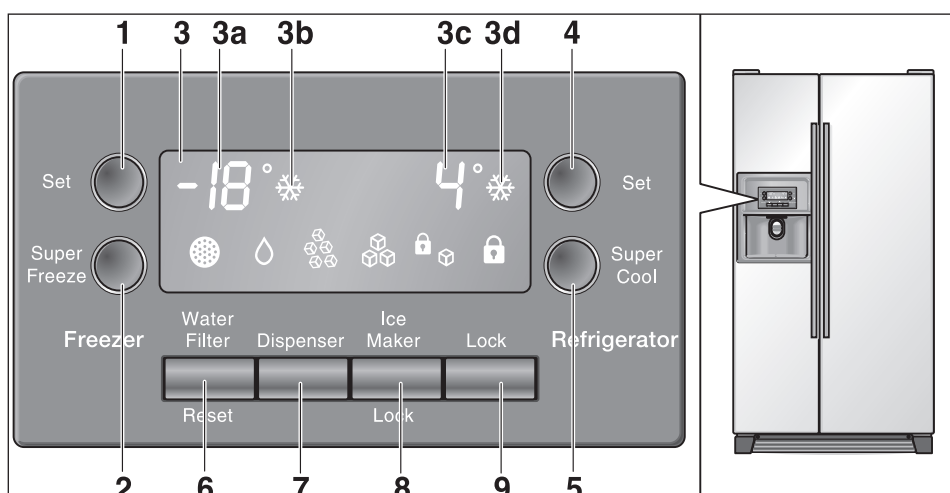
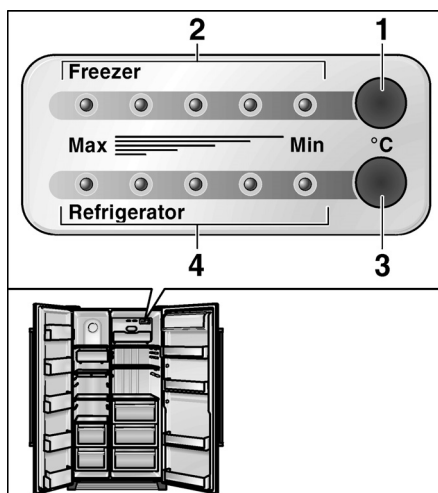


1 نقاله حلزونی انتقال یخ

2 دکمه (pad) خروجی (آب یا یخ)

3 ظرف (تشت) تجمع آب

تابلو کلید ها و نشانه ها



- تنظیم دما
- 1 دکمه تنظیم دمای فریزر
- 2 نشاندهنده LED
- دمای داخل فریزر
- 3 دکمه تنظیم دمای یخچال
- 4 نشاندهنده LED
- دمای داخل یخچال

- 6 دکمه تعویض فیلتر آب
- 7 دکمه اعلام برداشت آب یا یخ
- 8 دکمه سوپر تجهیزات یخساز
- در مواقع تمیز کردن دستگاه یا عدم استفاده طولانی از یخساز.
- 9 قفل کردن دکمه های سوپر (برای حفاظت در برابر بچه ها)
- برای این که از هر نوع تغییر ناخواسته ای در این تنظیم جلوگیری کنید، این دکمه را فشار دهید. برای بازکردن قفل همین دکمه را بیش از یک ثانیه فشار دهید. علامت قفل پاک می شود.

- 1 دکمه تنظیم دمای داخل فریزر
- 2 دکمه "سوپر" "super" فریزر
- 3 تابلو نشانه ها
- 3a نشاندهنده دمای داخل فریزر
- 3b نشاندهنده حالت "سوپر" "super" فریزر
- 3c نشاندهنده دمای داخل یخچال
- 3d نشاندهنده حالت "سوپر" "super" یخچال
- 4 دکمه تنظیم دمای داخل یخچال
- 5 دکمه "سوپر" "super" یخچال

توضیح نشانه های تابلو

علامت آب



علامت "ضرورت تعویض فیلتر"

پس از تعویض فیلتر دکمه تعویض فیلتر آب را تقریباً ۵ ثانیه به طور ممتد فشار دهید تا علامت تعویض خاموش شود



علامت یخ خرد شده



علامت قفل بودن تجهیزات یخساز است



علامت یخ حبه ای

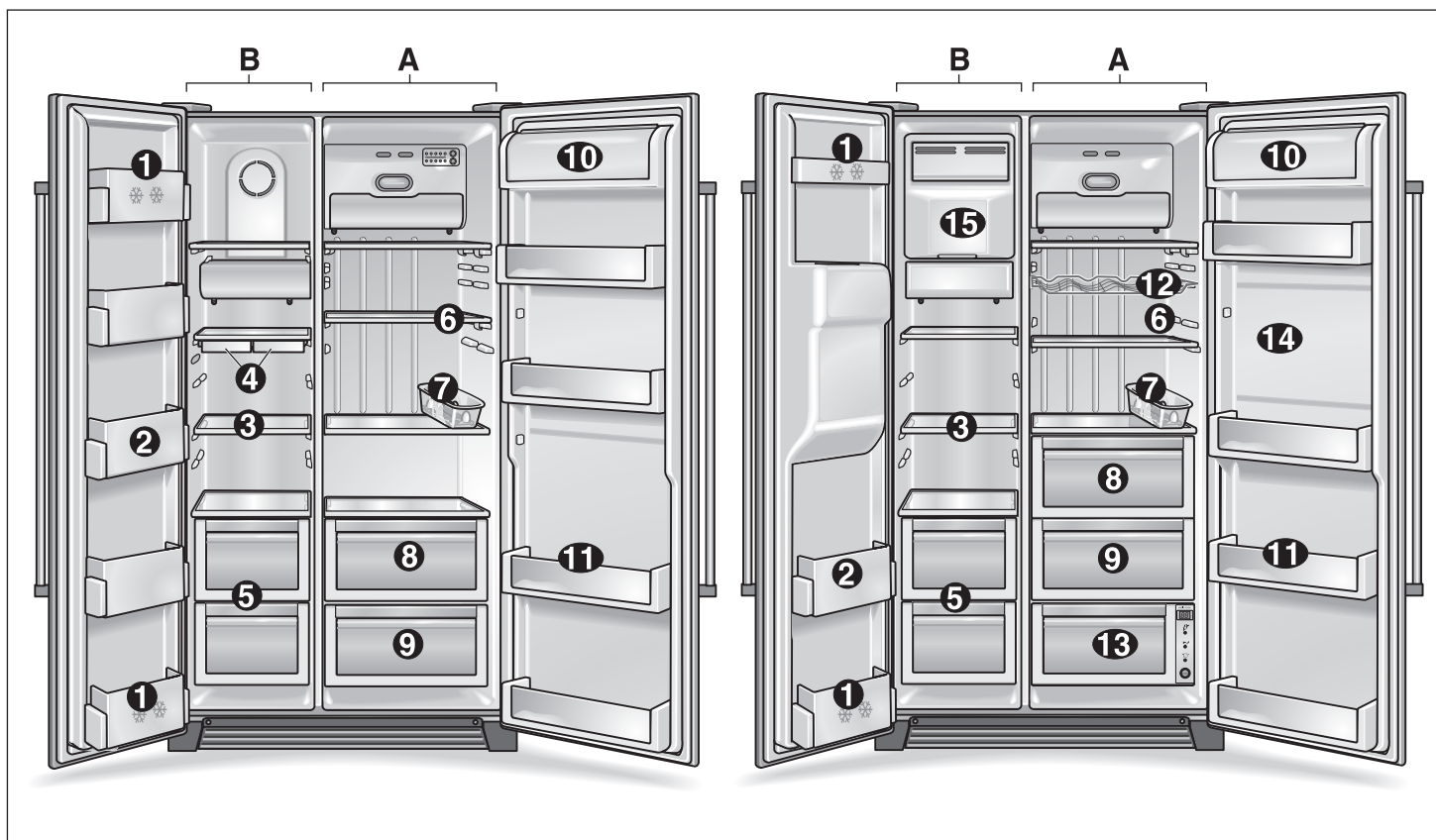


علامت قفل بون تابلو فرمان است



## دستگاه جدید شما

این دفترچه برای مدل های گوناگونی تدوین شده و در نتیجه تفاوت هایی در تصویرها ممکن است پیش آید.



A یخچال

B فریزر

- |    |   |    |  |    |   |
|----|---|----|--|----|---|
| 1  | قفسه داخل در (قفسه ۲ ستاره)                           | 6  | طبقه شیشه ای یخچال                                     | 14 | قفسه بار*   |
| 2  | برای نگهداری کوتاه مدت مواد خوراکی و یخ               | 7  | برای نگهداری خواکی های پخته، لبنیات و کالباس           | 15 | دریچه این قفسه برای برداشتن سریع نوشابه از یخچال از بیرون باز می شود بدون آن که نیازی به باز کردن در اصلی یخچال باشد. |
| 3  | قفسه داخل در  | 8  | جای تخم مرغ  |    | دستگاه یخساز*   |
| 4  | برای نگهداری مواد خوراکی یخزده                        | 9  | قفسه سبزیجات   |    | برای تهیه و نگهداری یخ حبه ای   |
| 5  | طبقه شیشه ای فریزر                                    | 10 | قفسه میوه  |    |   |
| 6  | برای نگهداری مواد خوراکی از قبیل گوشت، ماهی و بستنی   | 11 | قفسه کره و پنیر  |    |   |
| 7  | ظرف حبه یخ ( یخدان)*                                  | 12 | قفسه داخل در   |    |   |
| 8  | جعبه داخل فریزر                                       | 13 | برای نگهداری کنسرو، بطری و لیوان                       |    |   |
| 9  | برای نگهداری گوشت، ماهی، گوشت پرندگان (بسته بندی شده) | 1  | طبقه بطری شراب*  |    |   |
| 10 |   | 2  | قفسه خنک کننده*  |    |   |
| 11 |   | 3  | برای بهترین نوع نگهداری ماهی و گوشت حیوانات و پرندگان. |    |   |
| 12 |   | 4  |  |    |   |
| 13 |   | 5  |  |    |   |

\* در همه مدل ها موجود نیست.



## دفع دستگاه های کهنه

دستگاه های کهنه را نباید زباله بی ارزش تلقی کرد! دفع زباله اگر با رعایت حفاظت محیط زیست انجام گیرد، می توان مواد خام با ارزشی را بازیافت کرد.

این دستگاه مطابق ضوابط اروپائی  
2002/96/EG مربوط به دستگاه های برقی و  
الکترونیکی

(waste electrical and electronic  
equipment - WEEE) مشخص شده است.

این ضوابط چارچوب کلی بازیافت و بازیافت  
دستگاه های کهنه را تعیین می کند که در سراسر  
اروپا معتبر است.

⚠️ **اخطار!**

در مورد دستگاه های کهنه و از کار افتاده به شرح زیر  
عمل کنید:

- ۱- دوشاخه دستگاه کهنه را از برق بکشید،
- ۲- کابل برق دستگاه را قطع کنید و به همراه دوشاخه  
دفع کنید.

دستگاه های خنک کننده حاوی مواد سرمازا و گازهای عایق  
است که باید به روش تخصصی دفع شود. مواظب باشید که  
لوله های دستگاه سرمازا تا لحظه دفع تخصصی آن آسیبی  
نبیند.

## تذکراتی در باره دفع زباله

### دفع مواد بسته بندی

مواد بسته بندی دستگاه شما را در برابر آسیب های احتمالی  
حمل و نقل حفاظت می کند. کلیه مواد بسته بندی برای  
محیط زیست بی زیان و قابل بازیافت است.

در باره راه های مدرن دفع زباله از فروشنده متخصص یا از  
مرکز دفع زباله شهرداری منطقه مسکونی تان کسب اطلاع  
کنید.

⚠️ **اخطار!**

مواد بسته بندی و قطعات آن را در اختیار کودکان نگذارید.  
کارتن ها و مشمع های پلاستیکی خطر خفگی برای کودکان  
دارد!

## وجود کودکان در خانه

- این دستگاه اسباب بازی کودکان نیست!
- در مورد دستگاه هایی که درشان قفل دارد: کلید را دور  
از دسترس کودکان نگهداری کنید!

### مقررات کلی

این دستگاه برای مصارف زیر مناسب است:

- برای خنک کردن مواد خوراکی،
- برای فریز کردن مواد خوراکی،
- برای فراهم کردن یخ.

این دستگاه در مصارف خانگی پیش بینی شده است. این  
دستگاه مطابق استاندارد اروپائی (89/336/EEC)  
دارای امکان ضد جرقه است. گردش دورانی ماده سرمازا  
از نظر غلظت آن مورد آزمایش قرار گرفته است.

## تبریک

با خرید یخچال و فریزر جدید دستگاهی مدرن و با کیفیتی عالی انتخاب کرده اید.

دستگاه یخچال و فریزر انتخابی شما از نظر صرفه جویی در انرژی برق ممتاز است.

هر دستگاهی که از کارخانه ما خارج می شود، قبلاً به دقت از نظر کارآیی و بی نقصی کنترل می شود.

مرکز خدمات پس از فروش ما برای پاسخ به پرسش های شما - به خصوص در مورد نصب و وصل دستگاه به برق - با کمال میل در خدمت شماست.

اطلاعات بیشتر و نیز نمونه هایی از فرآوردهای ما را می توانید در سایت اینترنت ملاحظه کنید.

لطفاً همه این راهنمای استفاده و طرز استقرار دستگاه و نیز اطلاعات ضمیمه این دستگاه را بدقت بخوانید و مطابق آن عمل کنید.

همه مدارک این دستگاه را برای مالک بعدی آن نگهداری کنید.

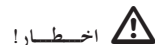
## تذکراتی در باره ایمنی و هشدارها

پیش از آن که دستگاه را به کار بیندازید،

لطفاً اطلاعات مندرج در دفترچه راهنمای مونتاژ و کاربرد را به دقت و بطور کامل بخوانید! این اطلاعات شامل تذکرات مهمی در باره نصب و کاربرد و نیز روش نگهداری دستگاه است.

دفترچه راهنمای نصب و کاربرد را برای مصارف بعدی یا برای مالک بعدی نگهداری کنید.

### ایمنی فنی



اخطار!

- این دستگاه دارای مقدار اندکی ماده سرما زای R600a است که زیانی برای محیط زیست ندارد اما قابل احتراق است. مواظب باشید که لوله های جریان مایع سرمازا در موقع حمل و نقل و نیز مونتاژ آسیب نبیند. ماده سرمازایی که از لوله سوراخ شده به بیرون نشت می کند، می تواند به چشم آسیب بزند یا خود آتش بگیرد.
- اگر ماده سرمازا نشت کند، مواظب باشید که
  - در نزدیک آن، هیچ آتش روباز یا چیز آتشزا نباشد.
  - دوشاخه را از برق بکشید،
  - فضا را چند دقیقه خوب تهویه کنید.
  - به مرکز خدمات پس از فروش جریان را اطلاع دهید.

هرچه مقدار ماده سرمازای دستگاه بیشتر

باشد، باید فضایی که دستگاه در آن قرار می گیرد، بزرگتر باشد. در فضاهای خیلی کوچک ممکن است در صورت نشت ماده سرمازا به بیرون، مخلوط گاز و هوای قابل احتراق تولید شود.

گرم ماده سرمازا باید 8 در برابر هر

متر مکعب بزرگتر باشد. 1 فضا حداقل به اندازه

مقدار ماده سرمازای دستگاه شما در روی تابلو

مشخصات که در داخل دستگاه نصب شده،

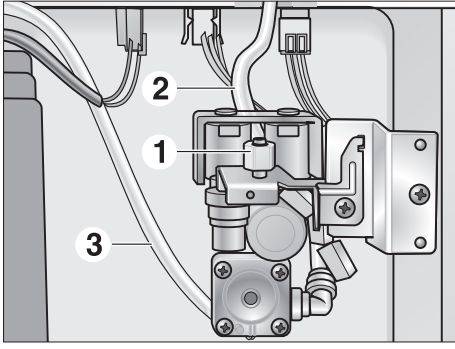
مندرج است.

- تعمیرات کابل برق و تعمیرات دیگر دستگاه فقط بوسیله مرکز خدمات پس از فروش مجاز است. نصب و تعمیر توسط افراد غیر متخصص می تواند برای مصرف کننده باعث خطرات سنگینی بشود.

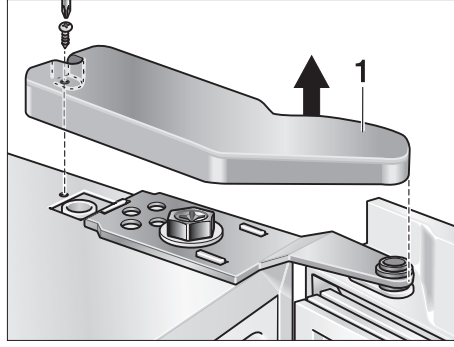
## در موقع مصرف دستگاه توجه کنید که

- هیچ نوع دستگاه برقی را در توی این دستگاه به کار نبرید (مانند دستگاه گرمزا، دستگاه یخ ساز برقی و مانند آن).
- خطر انفجار!
- هرگز برای نظافت این دستگاه از وسیله نظافت با بخار استفاده نکنید، زیرا خطر آن هست که بخار به قسمت های هادی برق نفوذ کند و موجب کنتاکت یا برق گرفتگی شود.
- مواد دارای گازهای قابل احتراق و یافشار (مانند اسپری های مختلف) و مواد انفجاری را نباید در داخل دستگاه گذاشت - خطر انفجار!
- پایه دستگاه، لبه های آن و درب و نظایر آن را نباید به عنوان سکو یا پله مورد سوء استفاده قرارداد.
- در مواقع یخ زدائی (دیفرایز) و نیز نظافت دستگاه دوشاخه را از برق بکشید یا فیوز را قطع کنید.
- در موقع قطع کردن برق، خود دوشاخه را بکشید نه کابل را.
- الکل دارای درصد بالا را فقط می توان در شیشه در بسته محکم و در حالت ایستاده نگهداری کرد.
- قسمت های پلاستیکی و نیز لاستیک های آب بندی درها نباید به روغن و چربی آلوده شود. در غیر اینصورت ممکن است باعث خوردگی و پوکی قسمت های یاد شده، شود.
- هرگز منافذ و سوراخ ها تهویه دستگاه ننیدید یا مسدود نکنید.
- مایعات در شیشه یا قوطی را (خصوصاً نوشابه های گاز دار) در فریزر نگذارید. شیشه یا قوطی در فریزر می ترکد!
- بستنی چوبی و حبه یخ را مستقیماً از فریزر به دهان نگذارید خطر سوختگی ناشی از سرمای بسیار زیاد!
- مواد یخزده را با دست تر لمس نکند. دستان ممکن است به آن بچسبد و فوراً یخ بزند! خطر زخمی شدن!
- برفک فریزر و مواد یخزده را با کارد یا وسیله ای تیز نترشید، زیرا ممکن است از این طریق لوله های مایع سرمازا آسیب ببیند. مایع سرمازا که به بیرون نشت کند، ممکن است آتش بگیرد یا به چشم آسیب بزند.

fa-2	تبریک
fa-2	تذکراتی در باره مسائل ایمنی
fa-3	تذکراتی در باره دفع زباله
fa-4	دستگاه جدید شما
fa-6	نصب دستگاه
fa-6	اتصال دستگاه به برق
fa-6	تنظیم دمای دستگاه
fa-7	خاموش کردن و تعطیل دستگاه
fa-7	امکانات دستگاه
fa-7	تقسیمات متنوع فضای داخلی دستگاه
fa-8	سردخانه دستگاه
fa-9	فضای فریزر دستگاه
fa-9	فریز کردن و نگهداری مواد یخزده
fa-10	تجهیزات اتوماتیک آب آشامیدنی و یخ
fa-11	راه های صرفه جویی در انرژی
fa-11	صدای دستگاه در موقع کار
fa-12	دیفرایز
fa-12	تمیز کردن دستگاه
fa-12	اشکالات کوچک را خود برطرف کنیم
fa-14	تعویض لامپ
fa-14	مراجعه به خدمات پس از فروش
fa-15	راهنمای تراز کردن دستگاه

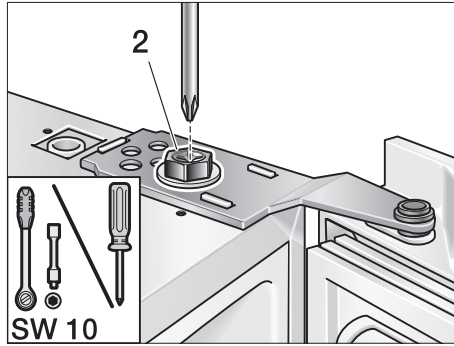


- انزع سدادات التغطية العلوية (1).



- فك المسامير القلاووظية (2).

لا تقم بفك المسامير القلاووظية بصورة كاملة!



- اضبط مستوى الخدار باب الثلاجة.
- قرت المسامير القلاووظية الخاصة بالمفصلتين.
- ركب سدادات التغطية.

## تشغيل الجهاز

قم بتشغيل الجهاز طبقاً للتعليمات الواردة في دليل الاستخدام المرفق بالعبوة.

## إيقاف تشغيل الجهاز

قم بإيقاف تشغيل الجهاز طبقاً للتعليمات الواردة في دليل الاستخدام المرفق بالعبوة.

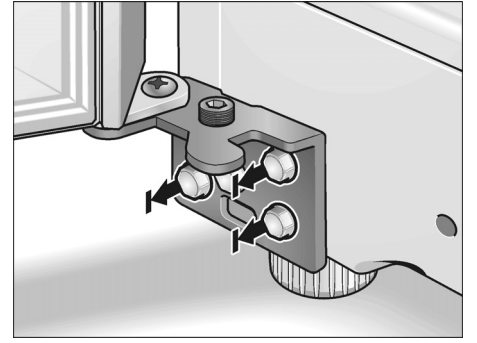
إذا كنت ترغب في إيقاف تشغيل الجهاز أو حفظه عند درجات حرارة تحت مستوى التجمد فيجب هنا إفراغ إناء الماء الخاص بضخاخ الماء.

## إفراغ إناء الماء داخل الجهاز

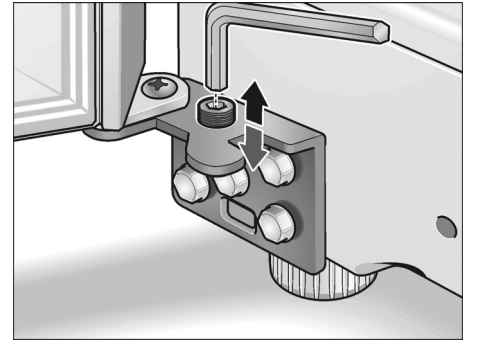
- افصل قابس التوصيل عن المقبس.
- قم بخفض إمداد الجهاز بالماء.
- انزع غطاء قسم المحرك المتواجد في الجهة الخلفية للجهاز.
- فك خرطوم التوصيل بالماء (1).
- ضع وعاء مُسطح (السعة الاستيعابية حوالي 3 لتر) أسفل صمام التوصيل لاستيعاب الماء الخارج.

وإذا لم تكف الخطوات السابقة لضبط اتزان الجهاز:

- انزع حلية القاعدة.



- فك المسامير اللولبية الثلاث الخاصة بالمفصلة بعض الشيء.
- لا تفك المسامير اللولبية بصورة كاملة!
- ادخل مفتاح سُداسي في مسمار الضبط:



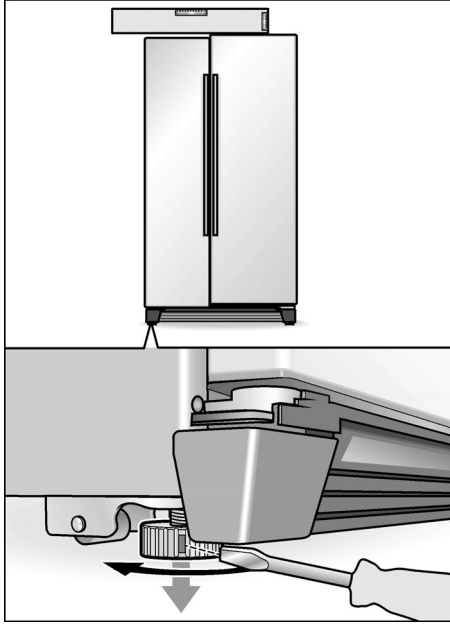
- من أجل دفع الباب إلى أعلى: أدر المفتاح السُداسي في اتجاه دوران عقارب الساعة.
- ومن أجل دفع الباب إلى أسفل: أدر المفتاح السُداسي في الاتجاه المعاكس لدوران عقارب الساعة.

ملاحظة:

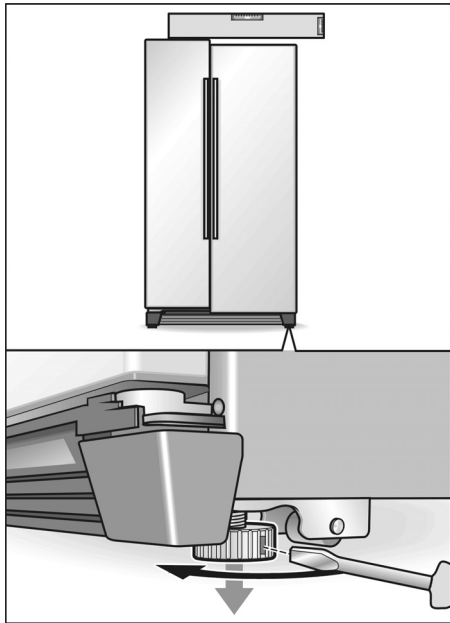
من الممكن أن يؤدي الوزن الذاتي للباب وحمولته من المواد الغذائية إلى حدوث قدر من الميل لباب الثلاجة، حتى لو أن الجهاز نفسه مُنصب بصورة مستقيمة. ويوجد ثمة تفاوت في فجوة الباب بين الجهتين العلوية والسفلية.



- وينبغي من أجل تجنب تدحرج الجهاز إدارة كلتا القدمين الأماميتين في الاتجاه السفلي لحين تلامسها بالأرضية بصورة جيدة.
- أدر القدمين لحين ضبط اتزان الجهاز. خذ باي الجهاز كميّاس!
- باب قسم التجميد منخفض عن الآخر.



باب قسم التبريد منخفض عن الآخر.

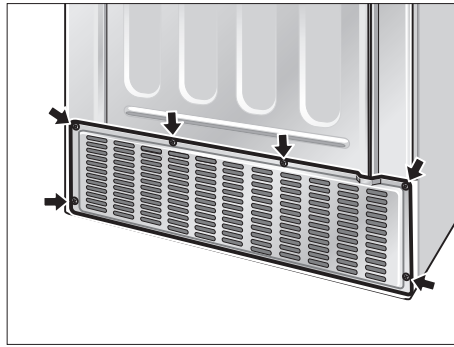


### تنبيه هام!

- يجب في حال تركيب أو استبدال سلك التوصيل الكهربائي الانتباه إلى تركيب التجهيز القامطة لسلك التوصيل من أجل تجنب المخاطر التي قد تنجم عن جذب السلك.

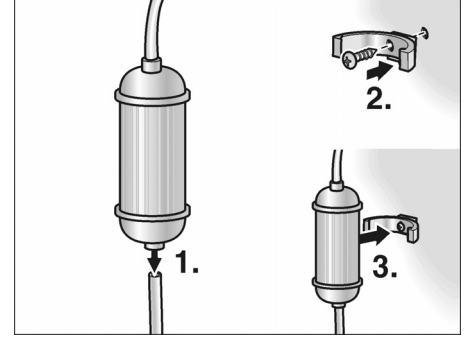
### اختبار إحكام إغلاق توصيلات الماء

- يجري تشغيل الجهاز طبقاً للتعليمات الواردة في دليل الاستخدام المرفق بالعبوة.
- خذ الماء من الجهاز على النحو المطابق للتعليمات الواردة في دليل الاستخدام. وسيدوم هذا ليضع ثواني نظراً لتواجد هواء في المواسير وخزان الماء.
- تأكد من أن الأعناق اللولبية لربط توصيلات الماء من جهتي الجهاز والصنوبر محكمة الإغلاق.
- افضل قايص التوصيل بعد الانتهاء من هذا الاختبار ثم قم بتركيب غطاء قسم المحرك.



### توصيل المرشح بخط الإمداد بالماء

- وصل طرفي الخرطومين بالمرشح (١).
- انتبه أثناء ذلك إلى اتجاه تدفق المياه المبين على المرشح!



- ثبت حامل المرشح يساراً أو يميناً من الجهاز في المكان المناسب [وعلى سبيل المثال دولاب سفلي] (٢) ثم ركب المرشح في الحامل (٣).

### التوصيل بالتيار الكهربائي

- لا تستخدم توصيلة إطالة أو توصيلة متعددة المقاييس.
- ويتطلب توصيل الجهاز تواجد مقبسين مثبتين في الحائط.
- يجب أن يظل المقبس المخصص لتوصيل الجهاز في متناول الأيدي.
- ويجري توصيل الجهاز بتيار كهربائي متردد (٢٢٠ - ٢٤٠ فولت / ٥٠ هرتز) عبر مقبس جرى تركيبه على نحو مطابق للمواصفات. كما يجب تأمين المقبس بمصهر (فيوز) ١٠ أمبير أو ما يفوقه.
- وبالنسبة للأجهزة التي سيجري تشغيلها خارج القارة الأوروبية فيجب أولاً التأكد من تطابق قيم فرق الجهد ونوعية التيار الكهربائي الموضحة على لوحة المواصفات الفنية مع قيم شبكة التيار الكهربائي المتعارف عليها في البلد المعني. لوحة المواصفات الفنية مثبتة في الجهة اليسرى أسفل الجهاز. وإذا كان من اللازم استبدال سلك التوصيل الكهربائي فيجب أن يجري ذلك بمعرفة فني متخصص.

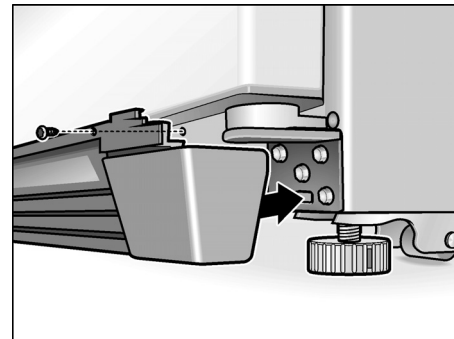


تحذير!

- إن الجهاز ليس مهياً على الإطلاق للتوصيل بالتيار الكهربائي عبر جهاز توصيل وسطي لتوفير الطاقة الكهربائية (وعلى سبيل المثال منها "Ecoboy; Sava Plug")، وليس مصمماً كذلك للتوصيل عبر محولات عكّاسة تقوم بتحويل التيار المستمر إلى تيار متغير فرق جهده ٢٣٠ فولت (وعلى سبيل المثال منها أجهزة توليد الكهرباء من الطاقة الشمسية وشبكات التيار الكهربائي المتواجدة بالسفن).

### ضبط اتزان الجهاز

- يجب ضبط اتزان الجهاز باستخدام ميزان ماء من أجل ضمان تشغيل الجهاز على نحو لا يشوبه شائبة.
- وإذا كان تنصيب الجهاز ينطوي على قدر من الميل فإن هذا قد يتسبب في تسرب الماء من جهاز إعداد الثلج أو في تفاوت في أحجام مكعبات الثلج التي ينتجها الجهاز أو في عرقلة إغلاق الأبواب بصورة صحيحة.
- نصب الجهاز في المكان المعني له.
- ثبت حلية القاعدة المرفقة بالعبوة بثلاث مسامير لولبية.





### فك باب قسم التبريد

- فك باب قسم التبريد بنفس الأسلوب (لا توجد أي توصيلات كهربائية أو توصيلات خراطيم مدمجة في باب قسم التبريد).

نبيه:

يجب التأكد أولاً قبل إعادة تركيب الأبواب بالترتيب المعاكس من اتران الجهاز في محل تنصيبه.

### توصيل الجهاز بشبكة المياه

يجب أن يجري توصيل خرطوم الماء فقط من قبل فني متخصص في هذا المجال وعلى النحو المطابق للتعليمات المحلية الصادرة عن الجهة المختصة بالإمداد بالمياه.

يجري توصيل الجهاز بأحد خطوط مواسير المياه الباردة.

– الحد الأدنى للضغط: 0,1 MPa (١,٠ بار)

– الحد الأقصى حتى: 1,0 MPa (١٠,٠ بار)

قد يتطلب الأمر تركيب مُخفِّض للضغط في مواسير الماء حيث أن هذا يتوقف على وضع شبكة المياه المتواجدة في المنطقة.

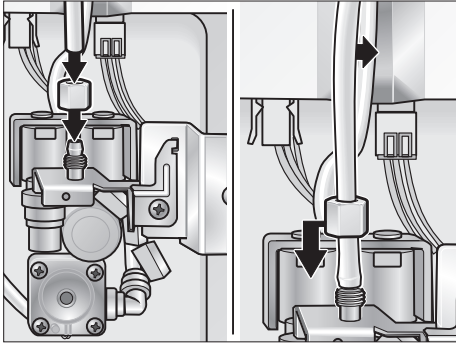
وينبغي أن يكون صنوبر الماء الذي سيجري توصيله بالخرطوم المرفق بالعبوة مقاس " 1/2 وأن يظل في متناول الأيدي.

العبوة مرفق بها خرطومان يبلغ طول أحدهما ١,٥ متر والآخر ٧ أمتار.

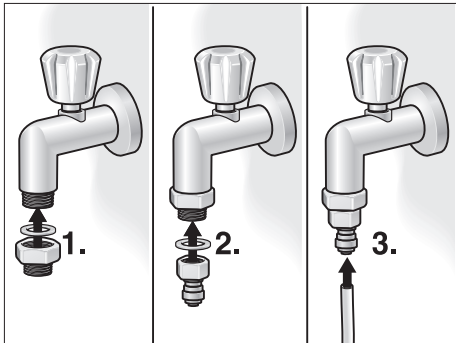
كما يمكن تحسين مذاق ورائحة الماء من خلال تركيب مرشح الماء المرفق في العبوة بين صنوبر الإمداد والجهاز.

### التوصيل

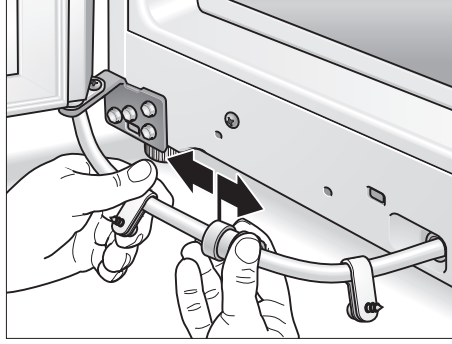
- وصل خرطوم التوصيل بالصمام المغناطيسي.



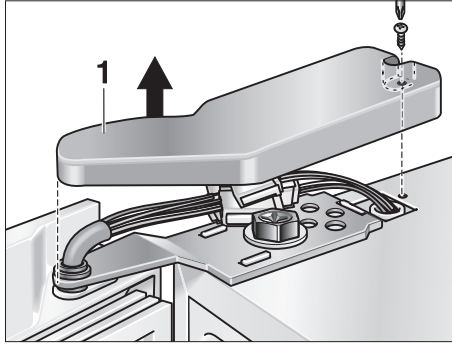
- وصل الخرطوم بصنوبر الماء.



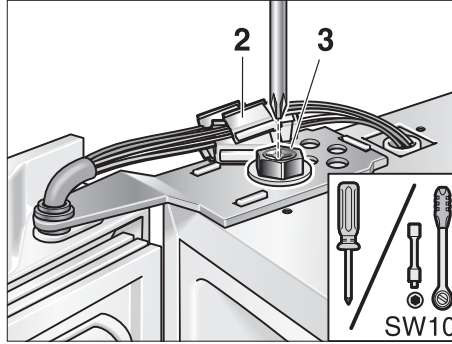
اضغط على حلقة التوصيل في اتجاه السهم، وقم في نفس الوقت بنزع الخرطوم من عنق التوصيل.



- انزع غطاء المفصلات العلوية (١).



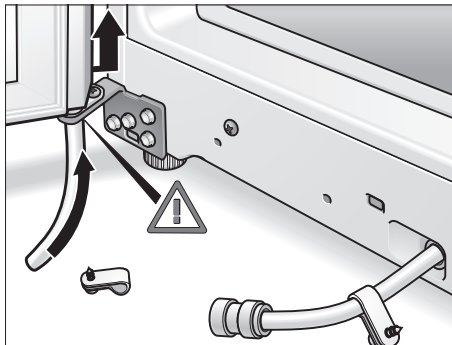
- افصل قوابس التوصيل الكهربائية المشار إليها (٢).



- فك مسامير تثبيت المفصلات بإدارتها إلى الخارج (٣)، انتبه إلى الإمساك بالباب أثناء ذلك.

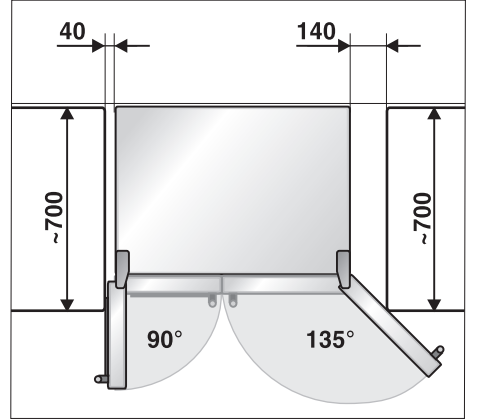
- اجذب الباب من محور ارتكاز المفصلة السفلية إلى أعلى.

توخى الحذر أثناء جذب الباب إلى أعلى وأثناء وضعه على الأرض! حيث أن خرطوم الماء قد يلحق به ضرر ما.



إذا تعدى عمق تجهيزات المطبخ المجاورة للجهاز ٦٠ سم فيجب الالتزام بالحد الأدنى للمسافات الجانبية الفاصلة لكي يمكن الاستفادة بصورة كاملة من زاوية فتح الباب.

زاوية فتح الباب	الحد الأدنى الفاصل
٩٠ °	٤٠ ملم
١٣٥ °	١٤٠ ملم



وإذا كان سيجري تركيب حلية أو دولاب علوي أعلى الجهاز فيجب الانتباه إلى وجود فاصل لكي يمكن سحب الجهاز إلى الخارج إذا اقتضت الضرورة ذلك.

### فك الأبواب

وإذا استحال مرور الجهاز من خلال باب الشقة فيمكن فك أبواب الجهاز.

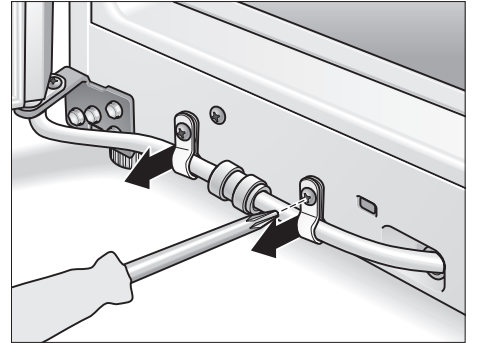
وننصحكم بتكليف أحد مراكز الخدمة الخاصة بنا بتولي أعمال التركيب.

### فك باب قسم التجميد

- انزع الغطاء السفلي.

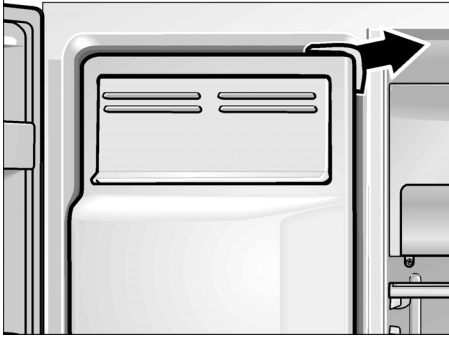
- فك نقاط تثبيت وترابط الخرطوم:

فك الكلاب القامط للخرطوم من محل تثبيت الخرطوم.



## إزالة الأغلفة الحافظة للجهاز

- قم بإزالة الأغلفة الحافظة للجهاز والشرائط اللاصقة. (ويمكن الاستعانة بالشريط اللاصق الذي تم نزعهِ لإزالة أي بقايا محتملة من الشرائط اللاصقة العالقة بالجهاز، وذلك من خلال وضع الجانب اللاصق للشريط على تلك البقايا ثم نزعهِ مع تكرار الأمر حتى يتم إزالتها بالكامل.)
- لا تقم بإزالة وسائل التأمين الواقية للأرفف وخانات الأبواب قبل تنصيب الجهاز.
- ولا تقم كذلك بإزالة وسائل التأمين الواقية لجهاز إعداد الثلج قبل تنصيب الجهاز، ويتطلب إزالتها سحب الجهاز إلى الخارج.



تنبيه:

يجب الانتباه إلى ضرورة إزالة كافة وسائل التغليف المتواجدة داخل الجهاز وخارجه قبل توصيله بشبكة التيار الكهربائي.

## مكان التنصيب

تنبيه:

الجهاز ثقيل جداً، ويمكنك استنباط وزن الجهاز وهو خالي من الجدول التالي.

الطرز الأساسي	١٠٤ كجم
الطرز المجهز بجهاز ضاخ للماء ودافع للثلج	١١٣ كجم
الطرز المجهز بنافذة للمشروبات	١١٥ كجم

إن أي غرفة يتسم هوائها بالجفاف ويمكن تهويتها تكون صالحة لتنصيب الجهاز فيها.

وينبغي تجنب اختيار المكان الذي يتعرض على نحو مباشر لأشعة الشمس أو يتواجد بالقرب من أي مصدر يثد الدفء مثل الفرن أو المدفأة أو ما يشبههما. وإذا كان من الصعب تجنب التنصيب بالقرب من مصدر يثد الدفء فينبغي هنا استخدام لوح مناسب له خاصية عازلة أو الالتزام بالحد الأدنى الفاصل بين الجهاز والمصدر الباث للدفء والمشار إليه أدناه.

- تجاه الأفران الكهربائية ٣ سم

- تجاه الأفران العاملة بالزيت أو الفحم ٣٠ سم

ويجب أن تكون أرضية مكان التنصيب متينة وغير قابلة للهبوط بفعل الضغط. وإذا لم تلب الأرضية المواصفات فيجب تمتينها. (الجهاز ثقيل جداً ويبلغ وزنه وهو خالي زهاء ١٤٥ كجم، وقد يصل وزنه إذا كان محملاً إلى ٤٠٠ كجم). يجب تنصيب الجهاز في وضع عمودي لكي يؤدي جهاز إعداد الثلج المدمج فيه وظيفته على نحو لا يشوبه شائبة. كما يجب الالتفات عند تنصيب الجهاز في أحد أركان الغرفة أو في مشكاة إلى الالتزام بالمسافات الفاصلة من الجانب لكي يمكن فتح الباب حتى النهاية (انظر فصل ٥، مقاييس الجهاز وأبعاد التنصيب).

## دليل التنصيب

ملاحظة هامة:

إن دليل التنصيب هذا يسري على العديد من الأطرزة المختلفة. إن كل خطوات التنصيب ليست لازمة بالنسبة لبعض الأطرزة.

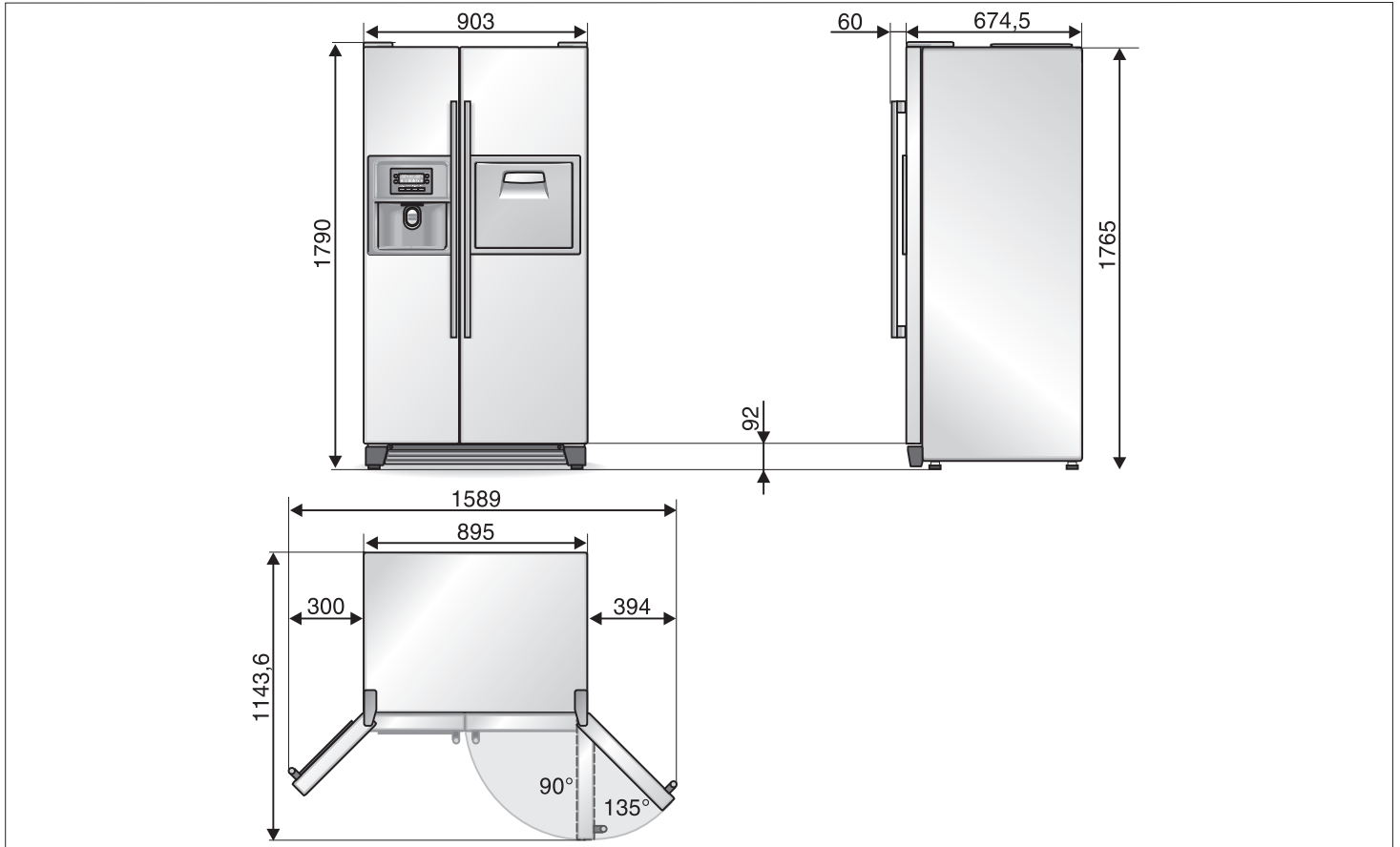
يجب أن يجري تنصيب الجهاز وتوصيله طبقاً لتعليمات دليل التنصيب هذا من قبل فني متخصص معترف به.

ويجب أولاً توصيل الجهاز بشبكة المياه قبل توصيله بشبكة الكهرباء.

ويجب إلى جانب الالتزام بالتعليمات المفروضة قانونياً في البلد المعني الالتزام بشروط التوصيل الخاصة بالجهاز المسؤولة عن الإمداد بالكهرباء والمياه.

ينبغي الاحتفاظ بدليل التنصيب.

## مقاييس الجهاز وأبعاد التنصيب



## تغيير مرشح الماء

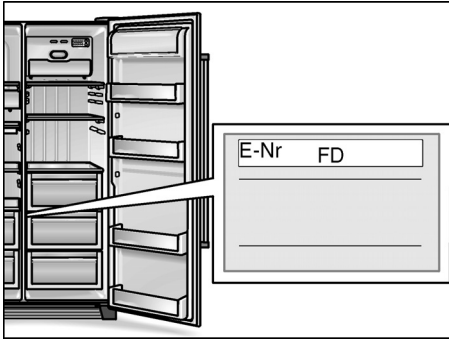
يمكن الحصول على مرشح الماء من مراكز الخدمة التابعة لنا تحت رقم :

Ident-Nr 497818

- انتبه: يجب نزع القابس من المقبس أو إبطال عمل المنصهر.
- يجب غلق صمام ماسورة الماء للجهاز.
- قم بنزع المرشح المستهلك من وعاء المرشح واسحب خرطوم توصيل الماء للخارج.
- احتس: لا تضع الخرطوم مائلاً داخل الجهاز حيث يتسرب منه الماء المتبقي بداخله.
- قم بتوصيل المرشح الجديد بخرطوم توصيلة الماء . رجاء الانتباه إلى اتجاه انسياب الماء من المرشح!
- قم بتثبيت المرشح بوعاء المرشح.

## الاتصال بمركز الخدمة

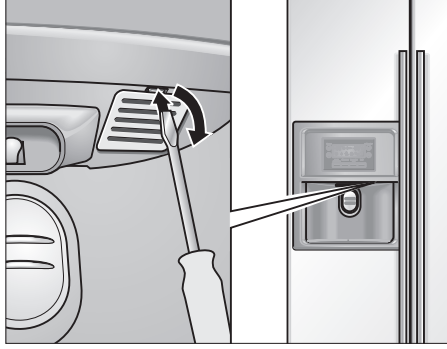
ستجد في دليل الهاتف أو دليل مراكز الخدمة عنوان أحد مراكز الخدمة الخاصة بنا بالقرب من محل إقامتكم. من فضلك أعطي مركز الخدمة الرقمين الخاصين بالجهاز والمشار إليهما بـ (E-Nr.) و (FD-Nr.). ويتواجد هذان الرقمان على لوحة المواصفات الفنية.



إن توضيح هذين الرقمين يشكل لنا عوناً كبيراً ويمكننا من تجنب سفريات لا داعي لها و يوفر عليكم الكثير من التكاليف الناتجة عن ذلك.

## استبدال لمبة الإضاءة الخاصة بضخاخ الماء

- تنبيه: انتبه إلى فصل قابس التوصيل أو فصل التيار الكهربائي عن الجهاز بواسطة مفتاح فصل المنصهر!
- ادفع الغطاء إلى الخارج باستخدام مفك.



- استبدال الللمبة.
- الللمبة البديلة (أقصى حد ١٥ واط، ٢٢٠ - ٢٤٠ فولت، تيار متردد، مقاس الدواية E14).

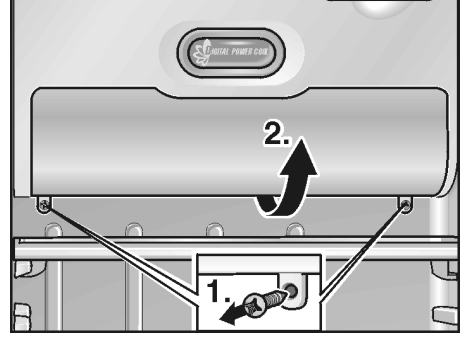


- أعد تركيب الغطاء.

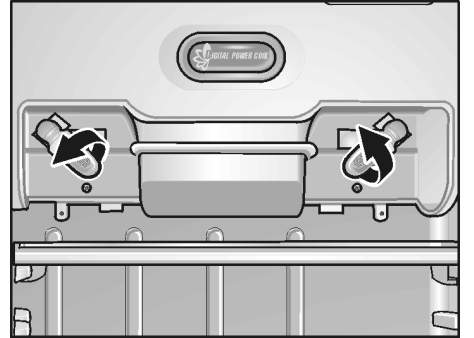
## استبدال لمبات الإضاءة

### استبدال لمبة إضاءة الوسط الداخلي للجهاز

- تنبيه: انتبه إلى فصل قابس التوصيل أو فصل التيار الكهربائي عن الجهاز بواسطة مفتاح فصل المنصهر!
- فك المسمارين اللولبيين المتواجدين تحت الغطاء ثم ارفع الغطاء.



- استبدال الللمبة.
- الللمبة البديلة (أقصى حد ٢٥ واط، ٢٢٠ - ٢٤٠ فولت، تيار متردد، مقاس الدواية E14).



- أعد تركيب الغطاء.

## ضخاخ الماء ودفاع الثلج

العطل	الأسباب المحتملة	الحل
الجهاز توقف عن دفع مكعبات الثلج بالرغم من طول فترة التشغيل.	صنبور الماء مغلق. انقطاع الإمداد بالماء. وربما لضعف ضغط الماء.	افتح صنبور الماء. اتصل بأحد المتخصصين في هذا الشأن.
مكعبات الثلج تتواجد بالفعل في الإناء المخصص لها ولكن لا يجري دفعها إلى الخارج.	ربما لحظر استخدام ضخاخ الماء. الرمز الدال على الحظر مضيء في شاشة العرض. قسم التجميد دافئ جداً.	اضغط على زر حظر استخدام "ضخاخ الماء". اضبط درجة الحرارة في قسم التجميد على قيمة منخفضة (انظر فصل "ضبط درجة الحرارة").
مكعبات الثلج المنحشرة في فوهة إناء مكعبات الثلج أو في سكين تقطيع الثلج.	مكعبات الثلج ملتصقة ببعضها البعض.	اخرج إناء مكعبات الثلج وأفرغه من محتواه.
مكعبات الثلج مبتلة.	مكعبات الثلج بدأت في الذوبان. — ربما بسبب انقطاع التيار الكهربائي أو أن باب قسم التجميد لم يكن مغلقاً بصورة صحيحة.	اخرج إناء مكعبات الثلج وأفرغه من محتواه ثم جففه جيداً.
مكعبات الثلج تتبخر.	إن تيار الهواء البارد المار على مكعبات الثلج يتسبب في تقلصها، وعلى الأخص في حال ضآلة استهلاكها. ويُعدُّ هذا أمراً طبيعياً.	اخرج إناء مكعبات الثلج وأفرغه من محتواه.
الغطاء القلاب الخاص بدافع مكعبات الثلج لا ينغلق بصورة صحيحة.	مكعبات الثلج تعيق محل إغلاق الغطاء القلاب.	نظف القالب بفوطة مبللة بخل. قم بتنظيف القوالب في كل مرة يجري فيها تنظيف الوسط الداخلي للجهاز إذا كانت هناك تراكمات جيرية قوية.
مكعبات الثلج ملتصقة في قالبها.	قد يرجع ذلك إلى تكون تراكمات جيرية في القالب مصدرها الماء.	قم بضبط اتزان الجهاز مستخدماً في ذلك ميزان ماء وعدل وضع عجل أو أقدام الجهاز القلاوظية القابلة لتغيير ارتفاعها (القي نظرة على دليل التنصيب).
هناك تفاوت في حجم مكعبات الثلج ويتواجد ماء في إناء مكعبات الثلج.	الجهاز غير متزن في تنصيبه.	افتح صنبور الماء. اتصل بأحد المتخصصين في هذا الشأن.
ضخاخ الماء مُمتنع عن التشغيل.	قسم التجميد دافئ جداً.	اضبط درجة الحرارة في قسم التجميد على قيمة منخفضة (انظر فصل "ضبط درجة الحرارة").

## زالة الثلوج المتكونة

إن الثلوج المتكونة تزول بصورة تلقائية.

الماء الناتج عن ذوبان الثلوج المتكونة ينساب في اتجاه الوعاء المخصص له في الجهة الخلفية للثلاجة ويتجمع فيه حيث يتبخر هناك.

## تنظيف الجهاز

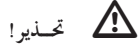
- تنبيه: انتبه إلى فصل قابس التوصيل أو أفضل التيار الكهربائي عن الجهاز بواسطة مفتاح فصل المصهر.
- نظف إطار إحكام إغلاق الباب بماء نظيف ثم جففه جيداً.
- نظف الجهاز بماء دافئ ممزوج بإحدى مواد تنظيف الأواني. انتبه جيداً إلى تجنب وصول ماء التنظيف إلى لوحة التحكم أو الإضاءة.

ولا تقم بوضع أرفف الجهاز الزجاجية الباردة بعد إخراجها من الجهاز مباشرة في ماء الغسيل الساخن.

ولا تقم على الإطلاق بغسل أرفف وآنية الجهاز في غسالة الأواني.

فمن الممكن أن يطرأ على هيئة هذه الأجزاء تغيير.

- بعد الانتهاء من التنظيف: وصل قابس الجهاز بالمقبس أو وصل التيار الكهربائي بالجهاز بواسطة مفتاح فصل المصهر.



تحذير!

تجنب الإمساك بالأشياء المجمدة ويداك مبتلتان، حيث أن هذا قد يؤدي إلى تجمد اليدين. خطر الإصابة بجروح!

ولا تقم على الإطلاق بتنظيف الجهاز باستخدام أحد أجهزة التنظيف العاملة بالبخار! إن البخار المنبعث من الممكن أن يصل إلى أجزاء الجهاز الموصلة بالشبكة الكهربائية مما قد يتسبب في حدوث دائرة قصر (ماس كهربائي) أو التعرض لصعقة كهربائية.

## تغلب بنفسك على الأعطال البسيطة.

### قبل الشروع في الاتصال الهاتفي بأحد مراكز الخدمة:

تأكد أولاً إذا كان بإمكانك أن تقوم بنفسك بمعالجة الخلل الطارئ بمساعدة التنيبهات التالية.

انتبه إلى أنك ستتحمل التكاليف الناشئة عن استشارة أحد مراكز الخدمة حتى أثناء فترة الضمان!

### قسما التبريد والتجميد

العطل	الأسباب المحتملة	الحل
الجهاز توقف عن التبريد. الإضاءة الداخلية لا تشتعل.	انقطاع التيار الكهربائي؛ انقطاع مصهر الأمان؛ قابس التوصيل غير مثبت جيداً.	تأكد من عدم انقطاع التيار الكهربائي. يجب أن يكون مصهر الأمان موصلاً.
عدد الدورات الدورية لماكينة التبريد زاد عن المعتاد ويستمر دورانها لفترة أطول من المألوف.	ربما لتكرار فتح باب الجهاز تجميد كميات كبيرة من المواد الغذائية الطازجة.	لا تفتح الباب بدون داعي. لا تتعدى الكمية القصوى التي يمكن القيام بتجميدها.
درجة الحرارة في قسم التبريد أو قسم التجميد باردة عن الحد اللازم.	ربما لوجود حائل أمام فتحات التهوية الخاصة بالهواء الخارج من الجهاز والداخل إليه	أزل ما يعرقل دورة التهوية.
درجة الحرارة في قسم التبريد أو قسم التجميد باردة عن الحد اللازم.	لقد جرى ضبط درجة الحرارة على قيمة منخفضة أكثر من اللازم.	اضبط درجة الحرارة على قيمة أعلى (انظر فصل "ضبط درجة الحرارة").
المواد الغذائية المجمدة ملتصقة بشدة في المكان الموضوعه فيه.		حاول تخليص المواد الغذائية المجمدة باستخدام أداة غير حادة، ولا تستعن في ذلك بسكين أو أي أداة مدببة.
قسم التجميد به طبقة سميكة من الجليد.		انتبه دائماً إلى التحقق من إغلاق باب الجهاز.

الإضاءة الداخلية لا تشتعل.	ربما لاحتراق لمبة الإضاءة. وربما لانحشار مفتاح الضوء.	استبدل لمبة الإضاءة (انظر فصل "استبدال لمبة الإضاءة"). تأكد من عدم وجود إعاقة لحركة المفتاح.
----------------------------	--	---

درجة حرارة قسم التجميد لم تعد تصل إلى القيمة المضبوطة عليها.	باب قسم التجميد كان مفتوحاً لفترة طويلة. المُبخر (ماكينة التبريد) متجمد تماماً لدرجة أن نظام الإذابة التلقائي لم يعد بوسعه إذابة كمية الثلج المتراكمة.	افرغ قسم التجميد من المواد الغذائية المجمدة وقم بعزلها جيداً عن تأثيرات حرارة الوسط المحيط واحفظها في مكان بارد. بعد مرور حوالي ١٢ ساعة يكون الثلج المتواجد في نظام التبريد قد ذاب. عاود تشغيل الجهاز ثم ضع المواد الغذائية المجمدة فيه.
--	---	--

تنبيه!

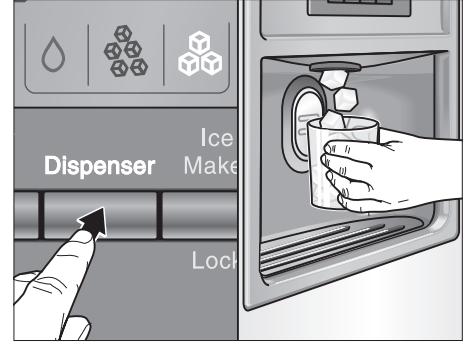
لا تقم بفتح باب قسم التجميد كثيراً دون أن يكون هناك ما يقتضي ذلك لكي تتجنب تسرب البرودة إلى الخارج.

وإذا استحال إزالة العطل بمساعدة التنيبهات السابق الإشارة إليها فينبغي على كل حال الاتصال بأحد مراكز الخدمة.



## الحصول على الثلج

- اضغط على الزر لحين أن يضيء الرمز الدال على مكعبات الثلج أو قطع الثلج الصغيرة.



- اضغط بإناء مناسب على زر الإنزال.

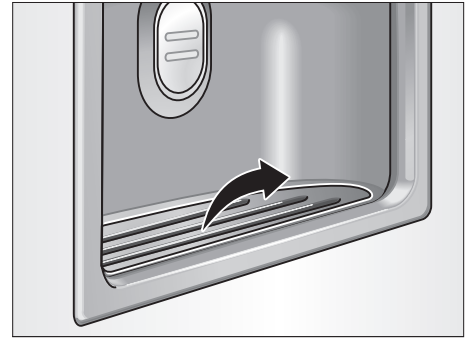
تنبيه:

توقف عن الضغط على زر الإنزال بمجرد امتلاء منتصف الإناء بالثلج، حيث أن الثلج المتواجد في الفوهة التي يندفع منها قد يتساقط منه ما يفوق استيعاب الإناء وقد يؤدي ذلك إلى انسداد الفوهة.

— قد يتواجد بعد التحويل من وضع الحصول على مكعبات الثلج إلى مكسرات الثلج بعض من مكعبات الثلج الكاملة أو أجزاء منها. ويجري دفع تلك البقايا مع الدفعة الأولى من مكسرات الثلج.

## إخراج وعاء تلقف الماء المتساقط وتنظيفه

قطرات الماء المتساقطة تتجمع في وعاء تلقف الماء المتساقط الذي يمكن إخراجها من الجهاز من أجل إفراغه وتنظيفه.



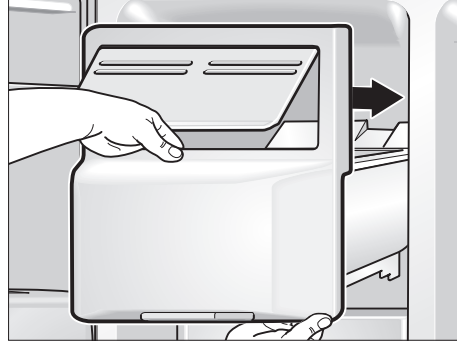
## إخراج إناء مكعبات الثلج وتنظيفه

إذا لم يمر لفترة طويلة استهلاك مكعبات الثلج المتواجدة بالجهاز فإنها تقلص بعض الشيء وتكتسب مذاق الماء الراكد وتلتصق ببعضها البعض.

- أخرج الإناء وأفرغه من محتوياته ثم نظفه بماء دافئ.
- جفف الإناء ووقعة الإزاحة جيداً لكي لا تلتصق بهما مكعبات الثلج الجديدة بفعل قطرات الماء إذا لم يمر تحفيها.

## تركيب إناء مكعبات الثلج

- ادفع إناء مكعبات الثلج على الحوامل المخصصة له إلى الخلف حتى النهاية تماماً لحين سماع الطقطقة الناتجة عن إحكام تثبيته.



- وإذا لم يتسنى دفع الإناء إلى النهاية تماماً فينبغي إدارة وقوعة الإزاحة بعض الشيء.

وهنا يواصل الجهاز إنتاج مكعبات الثلج.

## إيقاف تشغيل جهاز إعداد مكعبات الثلج

إذا كان من المفترض عدم استهلاك مكعبات الثلج لفترة تزيد عن أسبوع واحد (وعلى سبيل المثال بسبب قضاء عطلة) فينبغي إيقاف تشغيل جهاز إعداد مكعبات الثلج بصورة مؤقتة من أجل تجنب التصاق مكعبات الثلج ببعضها البعض.

- اضغط على زر حظر التشغيل الخاص بـجهاز إعداد مكعبات الثلج. وهنا يضيء الرمز الدال على الحظر.



- اخرج إناء مكعبات الثلج وأفرغه من محتوياته ثم أعد تركيبه. انتبه أثناء ذلك إلى إحكام تثبيت إناء مكعبات الثلج على الحوامل المخصصة له.

إعادة تشغيل الجهاز:

- اضغط على زر حظر التشغيل الخاص بـجهاز إعداد مكعبات الثلج. وهنا ينطفئ الرمز الدال على الحظر.

## يمكنك توفير الطاقة على هذا النحو.

- ينبغي تمصيب الجهاز في غرفة ذات هواء جاف ويمكن تهويتها؛ مع تجنب تعريضه بصورة مباشرة لأشعة الشمس أو تنصيبه بالقرب من أحد المصادر التي تبتث الدفء (مثل المدفأة أو الفرن). وإذا لزم الأمر فينبغي استخدام لوح له خاصية عازلة.
- دع الأطعمة والمشروبات الساخنة خارج الجهاز لحين أن تبرد.
- ضع المواد الغذائية المجمدة في قسم التبريد ودعها يداخله لحين أن تزول حالة التجمد. وبهذا فإنك تستغل برودة المواد الغذائية المجمدة لتبريد المواد الغذائية المتواجدة في قسم التبريد.
- انتبه دائماً عند فتح باب الجهاز إلى أهمية إغلاقه في أسرع وقت ممكن!

## الأصوات الصادرة عن التشغيل

### أصوات عادية تماماً

- الطنين – صوت ناتج دوران جهاز التبريد. وقد يكون ناتجاً عن دوران مروحة نظام الهواء المُعاد تمريره.
- الأصوات الأخرى مثل بلوب أو ما يشبه الأزيز أو الغرغرة – ناتجة عن تدفق وسيط التبريد في المواسير. وقد تكون ناتجة عن تدفق الماء إلى داخل جهاز إعداد الثلج.
- كليك – صوت ناتج عن بدء تشغيل المحرك أو توقفه عن الدوران. وقد يكون ناتجاً عن انفتاح أو اغلاق الصمام المغناطيسي الموصل بصنوبر التوصيل.
- بولت – صوت ناتج عن تساقط مكعبات الثلج المُنتجة من جهاز إعداد مكعبات الثلج في الإناء المخصص لها.
- الأصوات التي يمكن تجنبها بسهولة.

### الأصوات التي يمكن تجنبها بسهولة.

### الجهاز منصّب على أرضية غير مستوية.

اضبط اتزان الجهاز مستخدماً في ذلك ميزان ماء. ويمكنك ضبط الأقدام القلاووظية أو وضع شيء مناسب تحتها لتحقيق الاتزان.

### الجهاز و،متلامس مع الموبيليا المجاورة له.

زحزح الجهاز عن الموبيليا أو الأجهزة المخازية له قليلاً.

### الأدراج، السلال أو الأرفف ترتج أو تنحشر.

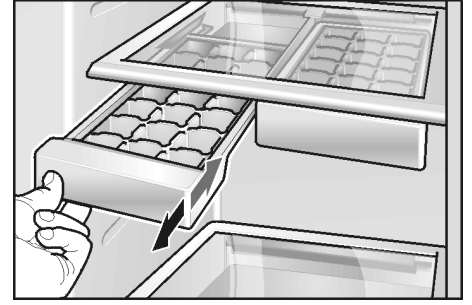
افحص الأجزاء القابلة للفك ثم عاود تركيبها مجدداً.

### الأوعية تتلامس مع بعضها البعض.

ابعد الزجاجات أو الأوعية عن بعضها شيئاً ما.

## إعداد مكعبات الثلج

(بالنسبة للأجهزة غير المحتوية على جهاز إعداد مكعبات الثلج)



- املاً 3/4 قالب الثلج بالماء ثم ضعه في قسم التبريد.
- ويمكن خلخلة مكعبات الثلج إما بالإمساك بها لبرهة من الوقت تحت الماء المناسب من الصنبور أو بلي حفيف للقالب.

## الضخاخ الآلي للماء والدافع الآلي

### للثلج

يمكن الحصول على الآتي من الجهاز:

- ماء بارد
- مكعبات ثلج
- قطع ثلج صغيرة (Crush-Ice)

### ⚠ تحذير!

لا تستخدم آنية سهلة الكسر لضخ الماء أو دفع الثلج فيها.  
- خطر الإصابة بجروح في حال تكسر الزجاج!

ولا تدخل يديك في فتحة دفع الثلج.  
- خطر الإصابة بجروح بفعل سكين تكسير الثلج.

تنبيه:

يعمل جهاز ضخ الماء ودفع الثلج فقط إذا كانت التلاجة موصلة بشبكة المياه.

## ما يجب الانتباه إليه عند تشغيل الجهاز الجديد

تواجه بعد التوصيل فقاعات هوائية في المواسير.

دع ماء الشرب ينساب لحين أن يصبح الماء المناسب خالي من الفقاعات ثم ادلق هذه الكمية من الماء. وادلق كذلك الأكواب الخمسة الأولى.

وانتبه عند الاستخدام الأول لجهاز دفع الثلج إلى عدم استخدام الكمية الأولى من مكعبات الثلج (من ٣٠ إلى ٤٠ قطعة) لأسباب تتعلق بالصحة والنظافة.

## تنبيهات متعلقة بتشغيل الدافع الآلي للثلج

عندما تصل درجة حرارة قسم التجميد إلى الحد المفترض لها فإن الماء يتدفق إلى داخل جهاز دفع الثلج ويتجمد على شكل مكعبات في الخانات المخصصة له. ويجري دفع مكعبات الثلج الجاهزة للاستخدام تلقائياً في إناء مكعبات الثلج.

وفي بعض الأحيان تلتصق مكعبات الثلج من جانبيها في بعضها البعض، ولكنها تنفصل في أغلب الأحوال من تلقاء ذاتها عن بعضها عند دفع الثلج.

يتوقف جهاز إعداد الثلج تلقائياً عن العمل عند امتلاء إناء مكعبات الثلج.

تبلغ الطاقة الإنتاجية لجهاز إعداد الثلج حوالي ١٠٠ من مكعبات الثلج خلال ٢٤ ساعة.

لا تقم بوضع زجاجات أو مواد غذائية في إناء مكعبات الثلج بغية تبريدها على نحو سريع حيث أن هذا قد يؤدي إلى انسدادها مما قد يلحق الضرر به.

إن إنتاج الدفعة الأولى من مكعبات الثلج بعد تشغيل الجهاز يتطلب فترة قد تدوم زهاء ٢٤ ساعة.

يُسمع أثناء إنتاج مكعبات الثلج طنين صادر عن صمام الماء وصرير ناعم عن تدفق الماء إلى قالب الثلج وأصوات تساقط مكعبات الثلج.

## نوعية ماء الشرب

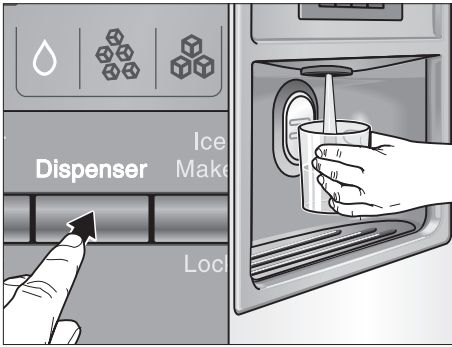
كافة الحامات المستخدمة في إنتاج جهاز ضخ المشروبات عديمة الرائحة وليس لها أي تأثير على الطعم.

وإذا كان للماء طعم ما فقد يرجع ذلك إلى الأسباب الآتية:

- امتزاج الماء بمواد معدنية وكلور.
- الحامات المستخدمة في مواسير المياه المركبة في المنزل أو مواسير شبكة المياه.
- قد يكون الماء غير طازج (إذا لم يجر تدفق الماء عبر المواسير لفترة طويلة فإن الماء قد يكتسب مذاق الماء ,,والراكد,,). وينبغي في مثل هذه الحالة مأل حوالي ١٥ كوب ودلقهم.)
- كما يمكن تحسين مذاق ورائحة الماء من خلال تركيب مرشح الماء المرفق في العبوة بين صنبور الإمداد والجهاز.
- يقوم مرشح الماء المرفق في العبوة فقط بتزجيج الجزئيات والأجسام الدخيلة من الماء الداخل إلى الجهاز ولا يرشح غيرها من البكتريا والميكروبات.

## الحصول على الماء

- اضغط على الزر لحين أن يضيء الرمز الدال على ذلك.



- اضغط بالكوب على زر الإنزال. ويتوقف تدفق الماء عند الكف عن الضغط بالكوب على زر الإنزال.

### فكرة مفيدة:

إن الماء المتدفق من جهاز ضخ الماء على نحو من البرودة مناسب للفم. وإذا كان لديك الرغبة في مزيد من برودة الماء فيمكنك قبل ضخ الماء في الكوب دفع بعض من مكعبات الثلج فيه.

## الأغلفة الصالحة للاستخدام:

صحائف اللدائن الصناعية، الصحائف المشككة على صورة خرطوم والمصنعة من مادة البولي إيثيلين، الرقائق المعدنية، العلب المخصصة للتجميد.

ويمكن الحصول على مثل هذه المنتجات لدى المحلات التجارية المتخصصة.

## الوسائل الصالحة للإغلاق:

الحلقات المطاطية، مشابك اللدائن الصناعية، الشرائط اللاصقة المقاومة للبرودة أو ما يشبهها.

ويمكن إغلاق الأكياس والصحائف المشككة على صورة خرطوم والمصنعة من مادة البولي إيثيلين باستخدام جهاز للحام صحائف اللدائن الصناعية.

## الكمية القصوى للتجميد

يمكنك خلال ٢٤ ساعة تجميد كمية من المواد الغذائية يصل وزنها على أقصى حد ١٠ كجم.

## مدة صلاحية المواد الغذائية المجمدة

تتوقف مدة الحفظ على أصناف المواد الغذائية المجمدة.

عند درجة حرارة متوسطة:

سمك، سحق، الأطعمة المطهية، الخبائز	حتى ٦ أشهر
الجنين، الطيور، اللحوم	حتى ٨ أشهر
الخضراوات، الفواكه	حتى ١٢ شهراً

## إزالة التجمد عن المواد الغذائية المجمدة

يمكن الاختيار بين الإمكانيتين التاليتين ويتوقف هذا على طبيعة هذه المواد وغرض الاستخدام:

- عند درجة حرارة الوسط المحيط
- في الثلاجة (قسم التبريد)
- في الفرن الكهربائي باستخدام أو بدون مروحة الهواء الساخن
- في جهاز الميكروويف

تنبيه:

لا تقم بمعاودة تجميد المواد الغذائية التي زال تجمدها أو بدأ زوال التجمد عن أسطحها الخارجية. فقط إذا جرى طهيها (طبخها أو قليها) فيمكن القيام مجدداً بتجميدها.

ولا ينبغي حينئذٍ الانطلاق من الفترة القصوى للتجميد.

## التجميد والحفظ

### حفظ المواد الغذائية المجمدة

انتبه من فضلك عند شراء المواد الغذائية المجمدة إلى الآتي:

- تأكد من خلو الغلاف من الأضرار.
- تأكد من تاريخ الصلاحية.
- درجة حرارة ثلاجة التجميد المتواجدة في محل البيع يجب أن تكون أدنى من -١٨ درجة مئوية. وإذا لم يكن هذا هو الحال فإن تاريخ صلاحية المواد الغذائية المجمدة سيصبح أقصر مما هو موضح عليها.
- لا تشتري المواد الغذائية المجمدة إلا في النهاية تماماً. ويُستحسن نقل المواد الغذائية المجمدة إلى المنزل في ورق صحفٍ أو أكياس حافظة للبرودة.
- ضع المواد الغذائية المجمدة مباشرة في قسم التجميد فور الوصول إلى المنزل. وينبغي استهلاك المواد الغذائية المجمدة قبل انقضاء تاريخ صلاحيتها.
- ولا تقم بمعاودة تجميد المواد الغذائية التي زال تجمدها، ويُستثنى من ذلك المواد الغذائية التي جرى طهيها (المطبوخة أو المقلية) مُسبقاً قبل تجميدها، حيث يمكن تجميدها مجدداً.

## يمكنك تجميد المواد الغذائية الطازجة

### بنفسك.

استخدم عند قيامك بتجميد المواد الغذائية بنفسك فقط الطازجة منها والتي لا يتخللها ما يشوب نضارتها. غلف المواد الغذائية بصورة محكمة خالية من الهواء لكي لا تفقد نكهتها ولا تجف. وينبغي أن تصل حالة التجمد إلى لب تلك المواد الغذائية بأسرع شكل ممكن.

## اتبع الأسلوب الصحيح في التغليف:

- ضع المواد الغذائية في الغلاف.
- ادفع الهواء تماماً إلى الخارج من خلال الضغط على الغلاف.
- اغلق الغلاف بإحكام.
- اكتب البيانات الدالة على المحتوى وتاريخ التجميد على الغلاف.

## الأغلفة غير الصالحة للاستخدام:

الورق المخصص للخبيز، الورق الخالي من المسام، السلوفان، أكياس القمامة، أكياس التسوق المستعملة.

## قسم التجميد

يبلغ الحد الأدنى للقيمة التي يمكن ضبط درجة حرارة قسم التجميد عليها -١٦ درجة مئوية والحد الأقصى -٢٢ درجة مئوية. ونصح بالضغط على -١٨ درجة مئوية.

قسم التجميد ملائم للاستخدام الآتي:

- لحفظ المواد الغذائية المجمدة.
- لتجميد المواد الغذائية.
- لإنتاج مكعبات الثلج.

تنبيه:

انتبه دائماً إلى أن يكون باب قسم التجميد مغلقاً، حيث أن المواد الغذائية المجمدة سيبدأ تجمدها في الزوال تدريجياً إذا ظل الباب مفتوحاً. وينجم عن ذلك تكون طبقات كبيرة من الثلج في قسم التبريد. وبالإضافة إلى ذلك فإن هذا يُشكل فقداناً للطاقة من جراء الزيادة في استهلاك التيار الكهربائي.

## التجميد السريع „super“

خاصية التجميد السريع ضرورية عند تجميد كميات كبيرة من المواد الغذائية الطازجة، ويجب الشروع في تشغيلها قبل ساعات ويحد أقصى ٢٤ ساعة قبل وضع المواد الغذائية ويتوقف ذلك على الكمية المطلوب تجميدها. تبدأ عند تشغيل هذه الخاصية الوظيفية للتجميد السريع عملية تبريد شديد لقسم التجميد على أسرع نحو ممكن.

- اضغط على الزر المشار إليه بـ „super“.



إن كل مرة يجري فيها الضغط على هذا الزر تؤدي إما إلى تشغيل هذه الخاصية أو إيقاف تشغيلها. ويُشار إلى تشغيل خاصية „التجميد السريع“ في شاشة العرض.

## نافذة المشروبات

## المواد الغذائية غير الملائمة للحفظ في درج الحفاظ على النضارة:

- الفواكه والخضراوات التي تتفاعل بحساسية مع البرودة (فواكه الجنوب، الأفوكاتة، البابايا، فواكه المناطق الاستوائية الأمريكية الجنوبية، الباذنجان، الخيار، الفلفل)
- الفواكه التي لم تنضج بعد (الطماطم التي لم تنضج بعد، الموز)
- البطاطس (البطاطا)
- الأصناف اليابسة من الجبن

### انتبه عند شراء المواد الغذائية إلى الآتي:

إن شراء المواد الغذائية عالية النضارة يشكل عاملاً هاماً بالنسبة لطول فترة صلاحيتها. وعليه فإنه من حيث المبدأ: كلما كانت درجة نضارة المواد الغذائية عالية قبل حفظها في درج الحفاظ على النضارة كلما طالّت مدة صلاحيتها.

## درج الحفاظ على النضارة

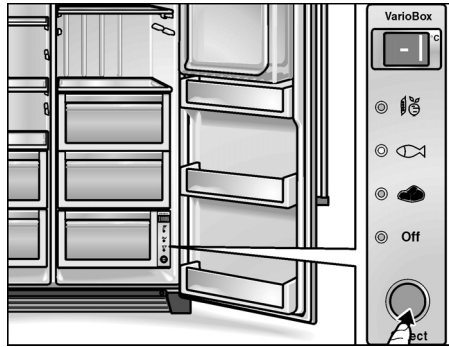
(ليست كل الأطرزة مجهزة به.)

تظل درجة الحرارة في هذا الدرج تقريباً عند مستوى الصفر (0 ° درجة مئوية). ويتيح هذا الإمكانية للحفظ المثالي للمواد الغذائية الطازجة.

اتباع الآتي من أجل الحفظ المثالي للمواد الغذائية:

- اضغط على زر الاختيار من أجل اختيار المادة الغذائية المعنية (خضراوات / سمك / لحوم).

سيجري عرض الاختيار بواسطة اللمبة الدالة على ذلك، ودرجة الحرارة اللازمة له في شاشة العرض.



تنبيه:

- في حال الضبط على وضع الفصل المشار إليه بـ ,,Off,, فإن درجة حرارة الدرج تطابق درجة حرارة القسم المتواجد أعلاه.
- إن درجة الحرارة الجاري عرضها عبارة عن الدرجة المفترضة، وقد يكون هناك تفاوت ضئيل بينها وبين درجة الحرارة الفعلية لدرج الحفاظ على النضارة.

## قسم التبريد

يبلغ الحد الأدنى للقيمة التي يمكن ضبط درجة حرارة قسم التبريد عليها +2 درجة مئوية والحد الأقصى +8 درجة مئوية. وينصح بالضغط على +4 درجة مئوية.

## استخدام قسم التبريد

ملائم لحفظ المخبوزات، الأطعمة المطهية، المعلبات، اللبن المركز، الأصناف اليابسة من الجبن، الفواكه التي تتفاعل بحساسية مع البرودة، الخضراوات: فواكه الجنوب مثل اليوسفي، الموز، الأناناس، البطيخ، الشمام، الأفوكاتة، البابايا، الباذنجان، وبالإضافة إلى ذلك الفواكه التي لم تنضج بعد حتى تطيب، الطماطم (البندورة)، الخيار، الطماطم التي لم تنضج بعد، البطاطس (البطاطا).

## انتبه إلى الآتي عند حفظ المواد الغذائية:

- دع الأطعمة والمشروبات الساخنة خارج الجهاز حين أن تبرد.
- احكم إغلاق المواد الغذائية حتى لا تفقد نكهتها ولا تجف.
- انتبه عند وضع الزيوت والشحوم ألا يحدث بينها وبين الأجزاء ذات اللدائن الصناعية وإطار إحكام إغلاق الباب أي تلامس.
- يجري حفظ المشروبات الكحولية المحتوية على نسبة مئوية عالية من الكحول فقط في زجاجات مغلقة بإحكام وتوضع في وضع رأسي. ولا تقم على الإطلاق بحفظ أي مواد قابلة للانفجار داخل الجهاز!

## التبريد السريع ,,super,,

خاصية وظيفية للتبريد السريع للمواد الغذائية أو المشروبات التي ينبغي حفظها في قسم التبريد. عند تشغيل هذه الخاصية الوظيفية للتبريد السريع يجري تبريد قسم التبريد على أسرع نحو ممكن.

- اضغط على الزر المشار إليه بـ ,,super,,.



إن كل مرة يجري فيها الضغط على هذا الزر تؤدي إما إلى تشغيل هذه الخاصية أو إيقاف تشغيلها. ويُشار إلى تشغيل خاصية ,,التبريد السريع,, في شاشة العرض.

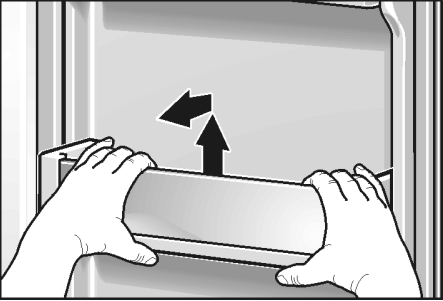
## مرونة تشكيل الوسط الداخلي للجهاز

يمكنك تغيير أوضاع رفوف الوسط الداخلي للجهاز وخانات الباب إذا اقتضت الحاجة ذلك:

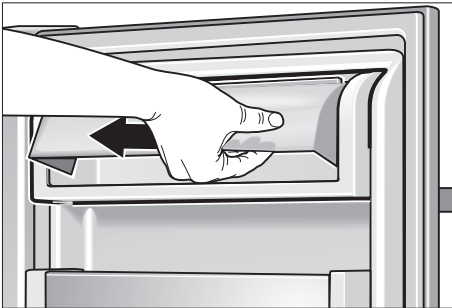
- اسحب الرف إلى الأمام ثم أخرجه من الجهاز.



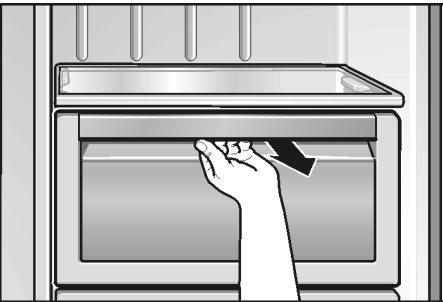
- ارفع الخانة إلى أعلى ثم افصلها عن الباب.



- ارفع غطاء خزانة الرُيد والجين إلى أعلى قليلاً واضغط عليه في اتجاه اليسار ثم افصله عن الباب.



- اسحب الدرج إلى الأمام وارفعه إلى أعلى قليلاً ثم أخرجه من الباب.



## فصل الجهاز ووقف تشغيله

### فصل تشغيل الجهاز

- افضل قابس التوصيل عن المقبس.

### وقف تشغيل الجهاز

إذا كنت ترغب في التوقف عن استخدام الجهاز لفترة طويلة:

- اخرج كافة المواد الغذائية من الجهاز.
- قم بظفر إمداد الجهاز بالماء.
- افرغ قالب مكعبات الثلج (انظر فصل وتنظيف الجهاز).
- دع قطرات ماء الشرب المتبقية تتساقط.
- افضل قابس التوصيل عن المقبس.
- خلع مرشح الماء.

تنبيه:

يجب تركيب مرشح جديد عند إعادة تشغيل الجهاز.

- نظف الوسط الداخلي للجهاز (انظر فصل وتنظيف الجهاز).

دع الباب مفتوحاً من أجل تجنب تكون أية روائح.

إذا كان هناك ما يشير إلى قدوم مخاطر الصقيع فيجب أن يجري إفراغ إناء الماء المخصص لجهاز ضخ ماء الشرب من قبل في متخصص (انظر فصل وتنظيف الجهاز)

### انتبه إلى الآتي عند الرحيل من المسكن.

اخلع كافة الأجزاء القابلة للفك بصورة سهلة وقم بتغليف كل واحدة منها بعناية. انتبه إلى نقل الجهاز في وضع عمودي بعد القيام بتأمين أبوابه وأغطيته القلابية.

## خواص وظيفية

### التنبيه التحذيري للباب

إذا حدث وترك باب التلاجة مفتوحاً فإن هذا يؤدي إلى صدور تنبيه صوتي بعد مرور دقيقة ويتكرر ذلك كل ٦٠ ثانية لمدة ٥ دقائق.

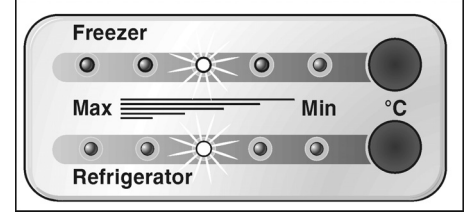
### الفصل التلقائي للإضاءة الداخلية

إذا ترك أحد بابي الجهاز مفتوحاً لمدة تزيد على ١٠ دقائق فإن الإضاءة الداخلية تنطفئ من تلقاء ذاتها، من أجل تجنب ارتفاع درجة الحرارة ومما يعمل على توفير الطاقة.

## بالنسبة للأجهزة المزودة بلوحة تحكم تقليدية

- الجهاز مزود بموجه لدرجة الحرارة لكل من قسمي التبريد والتجميد على نحو منفصل.

- القيم التي جرى الضبط عليها من قبل المصنع لكل من قسمي التبريد والتجميد تبلغ المعدل الوسطي لكل منهما على حدة.

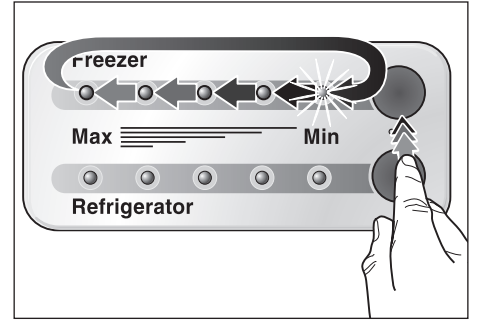


تنبيه:

لمبات الإيضاح الخمس تشير إلى النطاق الإجمالي لدرجة الحرارة المعنية بالقسم، وعلى سبيل المثال قسم التبريد من +٢ °C حتى +٨ °C درجة مئوية.

اتبع الآتي إذا كنت ترغب في تغيير هذه القيم:

- اضغط على زر اختيار درجة الحرارة مع الاستمرار في الضغط عليه حين أن يظهر الوضع المطلوب الضبط عليه.



ويجري عرض قيم درجات الحرارة على نحو تصاعدي من درجة الحرارة الدنيا إلى القصوى. وبعد الوصول إلى القيمة القصوى تنتقل الإشارة الضوئية إلى القيمة الدنيا المعنية هنا.



## التنصيب

### مكان التنصيب

إن أي غرفة يتسم هوائها بالخفاف ويمكن تهويتها تكون صالحة لتنصيب الجهاز فيها.

وينبغي تجنب اختيار المكان الذي يتعرض على نحو مباشر لأشعة الشمس أو يتواجد بالقرب من أي مصدر يبعث الدفء مثل الفرن أو المدفأة أو ما يشبههما. وإذا كان من الصعب تجنب التنصيب بالقرب من مصدر يبعث الدفء فينبغي هنا استخدام لوح مناسب له خاصية عازلة أو الالتزام بالحد الأدنى الفاصل بين الجهاز والمصدر الباث للدفء والمشار إليه أدناه.

ينبغي الالتزام بالحدود الدنيا التالية الفاصلة بين الجهاز والمصدر الباث للدفء:

- تجاه الأفران الكهربائية 3 سم

- تجاه الأفران العاملة بالزيت أو الفحم 30 سم

ويجب أن تكون أرضية مكان التنصيب متينة وغير قابلة للهبوط بفعل الضغط. وإذا لم تلب الأرضية المواصفات فيجب تمتينها.

الجهاز ثقيل جداً، ويمكنك استنباط وزن الجهاز وهو نحالي من الجدول التالي.

الطرز الأساسي	١٠٤ كجم
الطرز المجهز بجهاز ضاخ للماء ودافع للتلحج ١١٣ كجم	
الطرز المجهز بنفاذة للمشروبات ١١٥ كجم	

يجب تنصيب الجهاز في وضع رأسي لكي يتسنى تشغيل تجهيز إعداد التلحج دون أية مشاكل. استخدم ميزان ماء لضبط الوضع الرأسي للجهاز. كما ينبغي الالتفات عند تنصيب الجهاز في إحدى زوايا الغرفة أو في كوة (فجوة في الحائط) إلى ضرورة الالتزام بالحد الأدنى للمسافات الفاصلة (التي نظرة على مقياس الجهاز) لكي يمكن فتح الباب حتى النهاية.

### تنصيب الجهاز وتوصيله

ينبغي تنصيب الجهاز وتوصيله بشبكة الماء من قبل في متخصص طبقاً لتعليمات دليل التركيب المرفقة بالعبوة.

وينبغي بعد تنصيب الجهاز الانتظار على الأقل زهاء 1/2 ساعة قبل توصيله بشبكة التيار الكهربائي، حيث أن تسرب شيء من الزيت المتواجد في تجهيزات الإحكام إلى نظام التبريد أثناء النقل أمر محتمل.

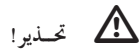
ينبغي تنظيف الوسط الداخلي للجهاز قبل الشروع في تشغيله لأول مرة. (انظر فصل "تنظيف الجهاز").

## التوصيل بالتيار الكهربائي

لا تستخدم توصيلة إطالة أو توصيلة متعددة المقابس في توصيل الجهاز. ويتطلب توصيل الجهاز تواجد مقبسين مثبتين في الحائط.

يجب أن يظل المقبس المخصص لتوصيل الجهاز في متناول الأيدي. ويجري توصيل الجهاز بتيار كهربائي مزرد (٢٢٠ - ٢٤٠ فولت / ٥٠ هرتز) عبر مقبس جرى تركيبه على نحو مطابق للمواصفات. كما يجب تأمين المقبس بمصهر (فيوز) ١٠ أمبير أو ما يفوقه.

وبالنسبة للأجهزة التي سيجري تشغيلها خارج القارة الأوروبية فيجب أولاً التأكد من تطابق قيم فرق الجهد ونوعية التيار الكهربائي الموضحة على لوحة المواصفات الفنية مع قيم شبكة التيار الكهربائي المتعارف عليها في البلد المعني. لوحة المواصفات الفنية مثبتة في الجهة اليسرى أسفل الجهاز. وإذا كان من اللازم استبدال سلك التوصيل الكهربائي فيجب أن يجري ذلك بمعرفة فني متخصص.



تحذير!

إن الجهاز ليس مهياً على الإطلاق للتوصيل بالتيار الكهربائي عبر جهاز توصيل وسطي لتوفير الطاقة الكهربائية (وعلى سبيل المثال منها "Ecoboy; Sava Plug")، وليس مصمماً كذلك للتوصيل عبر محولات عكاسة تقوم بتحويل التيار المستمر إلى تيار متغير فرق جهده ٢٣٠ فولت (وعلى سبيل المثال منها أجهزة توليد الكهرباء من الطاقة الشمسية وشبكات التيار الكهربائي المتواجدة بالسفن).

### انتبه إلى درجة حرارة الوسط المحيط

#### والتهوية

مستوى المناخ المحيط موضح على لوحة المواصفات الفنية. ويوضح هذا الحدين الأدنى والأقصى لدرجة حرارة الوسط المحيط التي يمكن عندها تشغيل الجهاز.

المناخ المحيط	درجة الحرارة المقبولة للوسط المحيط
SN	+ ١٠ ° حتى ٣٢ ° درجة مئوية
N	+ ١٦ ° حتى ٣٢ ° درجة مئوية
ST	+ ١٦ ° حتى ٣٨ ° درجة مئوية
T	+ ١٦ ° حتى ٤٣ ° درجة مئوية

#### التهوية

لا تقم على الإطلاق بتغطية فتحات التهوية الخاصة بالهواء الخارج من الجهاز والداخل إليه المتواجدة في الواجهة الأمامية لقاعدة الجهاز، حيث أن هذا سيضطر ماكينة التبريد إلى بذل قدرة أعلى من اللازم مما سيؤدي إلى ارتفاع استهلاك التيار الكهربائي.

## ضبط الجهاز

• وصل قابس الجهاز بأحد المقابس.

يبدأ الجهاز بعد التوصيل بشبكة التيار الكهربائي في التبريد.

وعند فتح الباب تشتعل الإضاءة الداخلية.

تنبيه:

تصل درجة حرارة الجهاز إلى المستوى الذي جرى الضبط عليه (من قبل المصنع) بعد مرور زهاء ساعتين إلى ثلاثة. لا تضع مواد غذائية في الجهاز قبل انقضاء هذه الفترة.

وإذا كنت ترغب في تغيير درجات الحرارة السابق الضبط عليها - فالتقي نظرة على فصل "ضبط درجة الحرارة".

## ضبط درجة الحرارة

### بالنسبة للأجهزة المزودة بلوحة تحكم إلكتروني

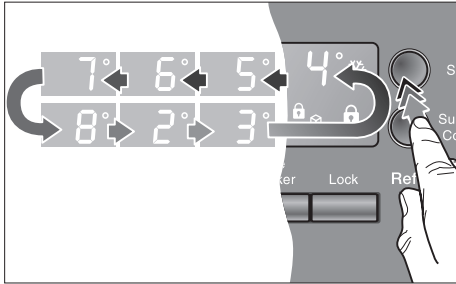
- يجري ضبط درجة الحرارة لكل من قسمي التبريد والتجميد على نحو منفصل. ويجري عرض القيمة التي تم الضبط عليها في شاشة العرض.

- تبلغ القيمة التي جرى الضبط عليها في المصنع لقسم التبريد ٤ ° درجات مئوية.

- تبلغ القيمة التي جرى الضبط عليها في المصنع لقسم التجميد ١٩ ° درجة مئوية.

اتبع الآتي إذا كنت ترغب في تغيير هذه القيم:

• اضغط على زر تنظيم درجة الحرارة مع الاستمرار في الضغط عليه لحين أن تظهر القيمة المطلوبة لدرجة الحرارة.

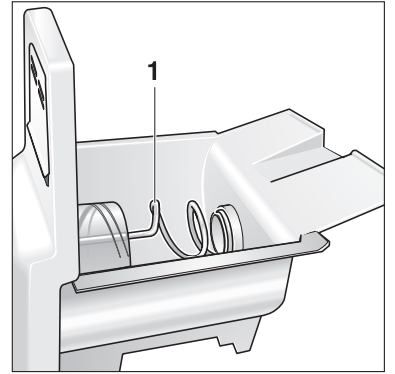


نظام التحكم والتوجيه يقوم بحفظ القيمة المبينة آخره.

إذا لم تكن بعض الأجزاء الموضحة غير متواجدة في جهازكم فإن الأمر يتعلق هنا بأجزاء خاصة بأحد الطرازات الأخرى.

## ضخاخ الماء ودافع الثلج

## جهاز إعداد مكعبات الثلج

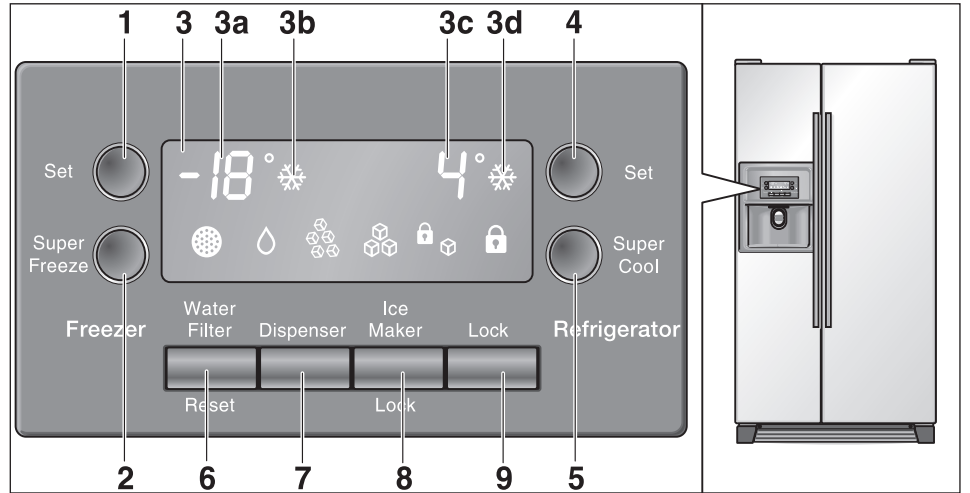
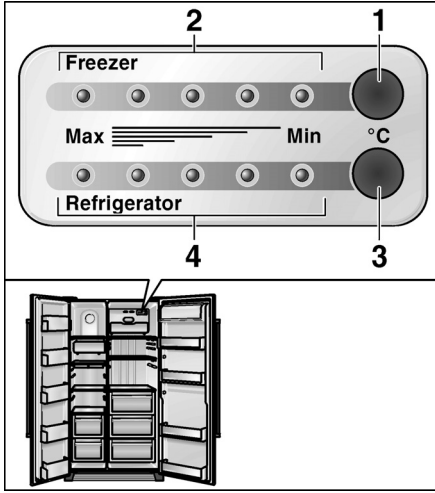


2 زر الإنزال

1 قوقعة الإزاحة

3 وعاء تلقف قطرات الماء

لوحة التحكم وشاشة العرض



لوحة الإيضاح والتحكم في درجات الحرارة

1 زر ضبط درجة حرارة قسم التجميد

2 الإيضاح الضوئي الدال على

درجة حرارة قسم التجميد

3 زر ضبط درجة حرارة قسم التبريد

4 الإيضاح الضوئي الدال على

درجة حرارة قسم التبريد

6 زر رد مرشح الماء لوضع البدء المشار إليه بـ

,,reset,,

7 زر طلب الماء / الثلج

8 زر حظر تشغيل تجهيزة إعداد الثلج

عند تنظيف أو التوقف عن استخدام جهاز إعداد الثلج لفترة طويلة.

9 زر حظر استخدام لوحة التحكم

(التأمين ضد عبث الأطفال)

اضغط على الزر من أجل تأمين أوضاع الضبط السارية ضد التغيير غير التعمد. ويتطلب رفع الحظر الضغط على الزر لفترة أطول من ثانية واحدة. وعند رفع الحظر فإن الإيضاح الدال على ذلك ينطفئ.

1 زر ضبط درجة حرارة قسم التجميد

2 زر الضبط على التجميد السريع ,,super,,

3 شاشة العرض

3a إيضاح درجة حرارة قسم التجميد

3b الإيضاح الدال على استخدام التجميد السريع

,,super,,

3c إيضاح درجة حرارة قسم التبريد

3d الإيضاح الدال على استخدام التبريد السريع

,,super,,

4 زر ضبط درجة حرارة قسم التبريد

5 زر الضبط على التبريد السريع ,,super,,

توضيح رموز شاشة العرض

الإيضاح الدال على ,,الماء,,



الإيضاح الدال على ,,ضرورة استبدال المرشح,, اضبط على زر رد مرشح الماء لوضع البدء المشار إليه بـ ,,reset,, حوالي 5 ثواني بعد الانتهاء من استبدال المرشح لكي يتوقف عرض هذا الإيضاح.



الإيضاح الدال على قطع الثلج الصغيرة



الإيضاح الدال على ,,حظر جهاز إعداد الثلج,,



الإيضاح الدال على ,,مكعبات الثلج,,

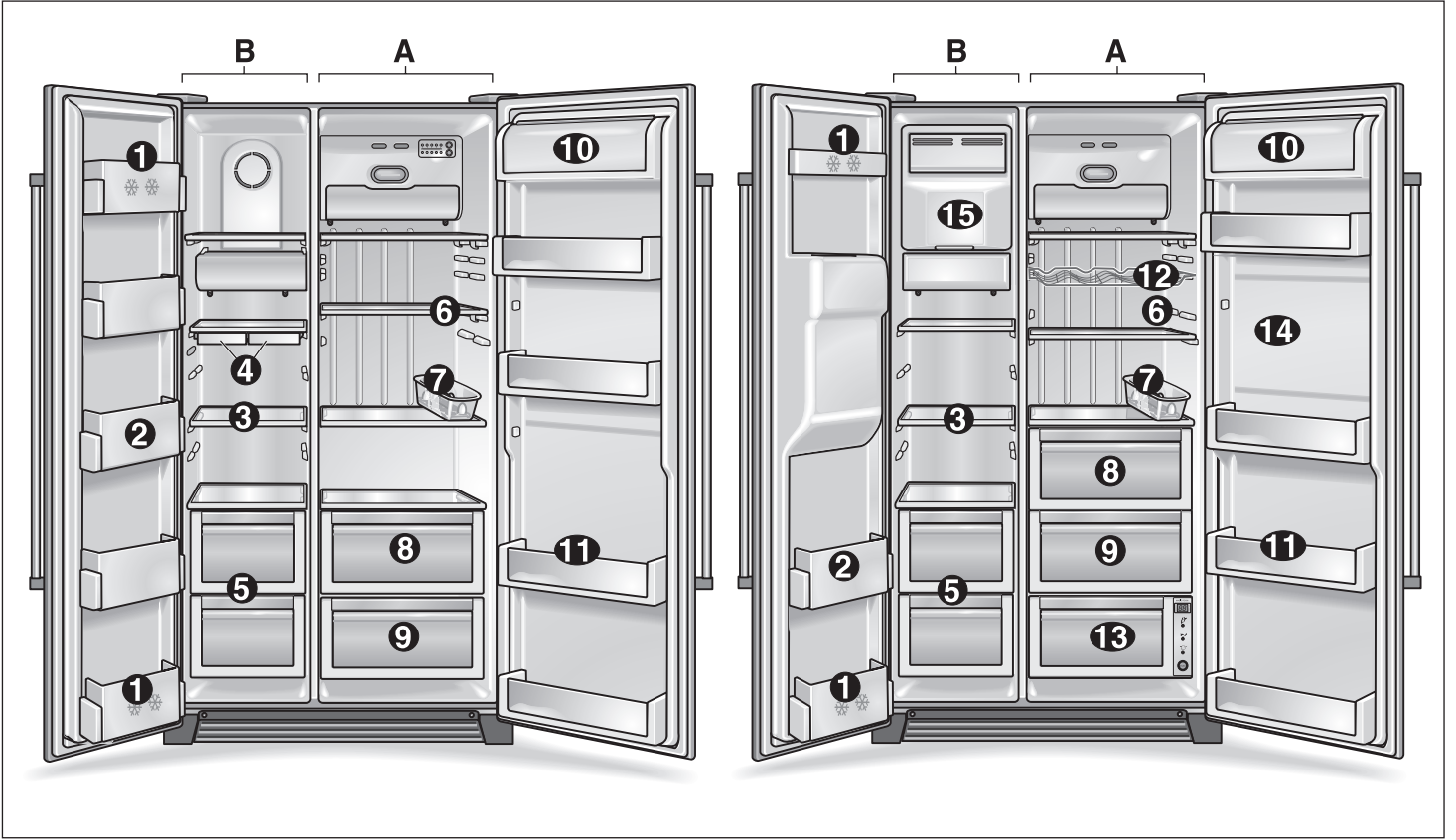


الإيضاح الدال على ,,حظر استخدام لوحة التحكم,,



## جهازكم الجديد

إن دليل الاستخدام هذا يسري على العديد من الأطرزة، ولذا فإن الأشكال التوضيحية قد تنطوي على قدرٍ من التفاوت.



### A قسم التبريد

### B قسم التجميد

#### 1 خزانة باب (قسم فنة مجمدات)

ملائمة للحفاظ قصير المدى للمواد الغذائية والجيلاتي.

#### 2 خزانة باب

ملائمة لحفظ المواد الغذائية المجمدة مسبقاً.

#### 3 رف زجاجي (قسم التجميد)

ملائم لحفظ المواد الغذائية المجمدة مسبقاً وعلى سبيل المثال للحوم، الأسماك، الجيلي.

#### 4 قالب مكعبات الثلج \*

#### 5 درج تبريد

ملائم لحفظ اللحوم، الأسماك، ولحوم الطيور (مغلقة).

\* ليست كل الأطرزة مجهزة به.

#### 6 رف زجاجي (قسم التبريد)

ملائم لحفظ الأطعمة المطبوخة، منتجات الألبان، الأنواع المختلفة من السحق.

#### 7 قالب البيض

#### 8 صندوق للخضراوات

#### 9 صندوق للفواكه

#### 10 خزانة لحفظ الزيت والجبين

#### 11 خزانة باب

ملائمة لحفظ المعلبات، الزجاجات، البرطمانات.

#### 12 رف المشروبات \*

#### 13 درج الحفاظ على النظارة \*

للحفظ المثالي للحوم، الأسماك، الطيور.

#### 14 نافذة المشروبات \*


يجري فتحها من الخارج للحصول على المشروبات بصورة سريعة دون الحاجة لفتح باب قسم التبريد.

#### 15 جهاز إعداد مكعبات الثلج \*

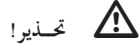
مخصص لإعداد وحفظ مكعبات الثلج

## التخلص من الأجهزة المستهلكة

إن الأجهزة المستهلكة لا تدخل في عداد القمامة عديمة القيمة! ويمكن من خلال التخلص منها باتباع الأساليب المتعارف عليها والملائمة للبيئة إعادة استخراج مواد خام منها ذات قيمة عالية.

هذا الجهاز مصنّف طبقاً للتعليمات الأوروبية  "2002/96/EG" المتعلقة بالأجهزة الكهربائية والإلكترونية المستهلكة (waste electrical and electronic equipment - WEEE).

وتحدد هذه التعليمات الإطار المتعلق باسترجاع الأجهزة المستهلكة والاستفادة من خاماتها في كل أنحاء الاتحاد الأوروبي.



تحذير!

بالنسبة للأجهزة المستهلكة

افصل قابس الجهاز عن المقبس.

ثم اقطع سلك التوصيل الكهربائي وافصلهما عن الجهاز.

تحتوي أجهزة التبريد على وسيط تبريد وفي أجزاء العزل على

غازات. ويجب التخلص من مواد التبريد والغازات على النحو

المطابق للمواصفات الفنية، ولذا فينبغي الانتباه إلى تجنب تعرض

مواسير دورة وسيط التبريد إلى أية أضرار قبل التخلص من الجهاز

النحو المطابق للمواصفات الفنية.

إن المواسير الخاصة بدورة وسيط  
التبريد قد خضعت لاختبارٍ للتأكد  
من مدى إحكامها.

تنبيهات خاصة بالتخلص من  
الأغلفة والأجهزة المستهلكة

التخلص من الأغلفة 

إن الأغلفة تحمي الجهاز من التعرض للأضرار أثناء النقل. كافة المواد المستخدمة في الغلاف ملائمة للبيئة ويمكن الاستفادة من خاماتها مجدداً. ويمكنك أن تشارك في الحفاظ على البيئة من خلال التخلص منها بالصورة الملائمة المتعارف عليها.

يمكن الحصول على المعلومات المتعلقة بأحدث الأساليب الجارية للتخلص من الأجهزة المستهلكة عند أحد المحلات التجارية المتخصصة أو لدى إدارة المدينة.



تحذير!

لا تترك الأغلفة وأجزائها المختلفة في متناول أيدي الأطفال الصغار خشية تعرضهم لخطر الاختناق من خلال الكارتين المطوية أو أغلفة اللدائن الصناعية.

## تعليمات متعلقة بالأطفال

- إن الجهاز لا يدخل في عداد لعب الأطفال!
- بالنسبة للأجهزة المجهزة بكالون: ينبغي الاحتفاظ بالمفتاح بعيداً عن متناول أيدي الأطفال!

## تعليمات عامة

الجهاز ملائم للآتي:

- لتبريد المواد الغذائية،
- لتجميد المواد الغذائية،
- لإنتاج الثلج

إن هذا الجهاز مصمم فقط للاستخدام المنزلي.

الجهاز مزود بكابت لإشارات التداخل مع أجهزة الإرسال والاستقبال اللاسلكية طبقاً لتعليمات الاتحاد الأوروبي المشار إليها بـ "89/336/EEC".

## تهنئة

لقد اتخذتم بشرايتكم هذه الثلاجة الجديدة المصممة للتبريد والتجميد قراراً باقتناء جهاز منزلي حديث يتميز بمستوى عالي من الجودة.

إن هذه الثلاجة المصممة للتبريد والتجميد تتميز باستهلاكها الاقتصادي للطاقة.

نود أن نلفت نظركم إلى أن كل جهاز يعاد مصنعنا يخضع أولاً لاختبار دقيق لكفاءته التشغيلية وللتأكد من حلوه البتة من أية عيوب.

وإنه لمن دواعي سرور قطاع خدمة العملاء تقديم يد العون لكم إذا كان لديكم أية أسئلة أو استفسارات ولاسيما فيما يتعلق بالتنصيب وتوصيل الجهاز.

وللحصول على مزيد من المعلومات والتعرف على منتجاتنا يمكنكم إلقاء نظرة على صفحتنا في شبكة الإنترنت.

ينبغي قراءة كتي من دليل الاستخدام والتعليمات المتعلقة بالتنصيب وكذلك كافة المعلومات المرفقة مع الجهاز والالتزام بالتوجيهات التي تتضمنها.

كما ينبغي الاحتفاظ بسائر المستندات المرفقة مع الجهاز للاستعانة بها عند الحاجة أو لتسليمها لأي شخص آخر قد يمتلك الجهاز في وقت لاحق.

## تعليمات الأمان والتنبيهات التحذيرية

### قبل الشروع في تشغيل الجهاز

اقرأ كتي من دليل الاستخدام والتركيب بعناية حيث أنه يتضمن معلومات هامة تتعلق بالتنصيب واستخدام وصيانة الجهاز!

كما ينبغي الاحتفاظ بسائر المستندات المرفقة مع الجهاز للاستعانة بها عند الحاجة أو لتسليمها لأي شخص آخر قد يمتلك الجهاز في وقت لاحق.

### تعليمات الأمان التقنية



تحذير!

- الجهاز يحتوي على كمية ضئيلة من وسيط التبريد R600a الملائم للبيئة ولكنه قابل للاشتعال. انتبه إلى تجنب تعرض مواسير وسيط التبريد إلى أي ضرر قد يلحق بها في حال نقل الجهاز أو أثناء التنصيب والتوصيل. إن تطاير وسيط التبريد باندفاع إلى الخارج من الممكن أن يؤدي إلى إصابات في الأعين، ومن الممكن كذلك أن يشتعل.

#### عند وقوع ضرر

- قم بإبعاد أي مصدر لنار مشتعلة أو أي وسائل إشعال عن الجهاز.
- افصل قابس الجهاز عن المقبس.
- قم بتهوئة الغرفة بصورة جيدة لبضع دقائق.
- ثم اخبر أحد مراكز الخدمة بالأمر.

وكلما زادت كمية وسيط التبريد في أحد الأجهزة كلما يكون من الضروري اتساع مساحة الغرفة الجاري تنصيب الجهاز فيها. فمن الممكن أن يحدث اشتعال لخليط من الهواء والغاز القابل للاشتعال إذا كان هناك ثقب يتسرب منه الغاز في حال تواجد الجهاز في غرفة صغيرة أكثر من اللازم.

ويجب في مقابل كل ٨ جم من وسيط التبريد أن يكون حجم الغرفة ١ م<sup>3</sup> على الأقل.

كمية وسيط التبريد المتواجدة في جهازكم موضحة على لوحة المواصفات الفنية المثبتة داخل الجهاز.

- إن استبدال سلك التوصيل الكهربائي أو القيام بإجراء أي إصلاحات للجهاز يجب أن يتم فقط بمعرفة أحد مراكز الخدمة الخاصة بنا.
- إن القيام بإجراء أي توصيل أو إصلاحات للجهاز على نحو غير مطابق للمواصفات المتعارف عليها قد يعرض المستخدم لمخاطر كبيرة.

## استخدام الجهاز

- لا تقم على الإطلاق باستخدام أجهزة كهربائية داخل الثلاجة (وعلى سبيل المثال أجهزة التدفئة، أجهزة إعداد الجيلاتني الكهربائية... الخ) خطر الانفجار!
- ولا تقم على الإطلاق بإذابة طبقات الثلج المتكونة أو تنظيف الجهاز باستخدام أحد أجهزة التنظيف العاملة بالبخار! إن البخار المندهق من الممكن أن يصل إلى أجزاء الجهاز الموصلة بالشبكة الكهربائية مما قد يتسبب في حدوث دائرة قصر (ماس كهربائي) أو التعرض للصعق بالتيار الكهربائي.
- ولا تقم على الإطلاق بحفظ أي منتجات تحتوي على غازات دافعة (وعلى سبيل المثال اللعب البخاخة) أو أي مواد قابلة للانفجار.
- خطر الانفجار!
- قاعدة الجهاز وأدراجها وأبوابه... الخ ليست مهيأة للوقوف أو الاستناد عليها.
- انتبه إلى فصل قابس التوصيل أو فصل التيار الكهربائي عن الجهاز بواسطة مفتاح فصل المصهر قبل الشروع في إذابة الثلج المتكونة أو في تنظيف الجهاز.
- ولا تقم بفصل قابس التوصيل من خلال جذب سلك التوصيل وإنما يجذب القابس ذاته
- يجري حفظ المشروبات الكحولية المحتوية على نسبة مئوية عالية من الكحول فقط في زجاجات مغلقة بإحكام وتوضع في وضع رأسي.
- انتبه إلى تجنب اتساع أجزاء اللدائن الصناعية (البلاستيك) وإطار إحكام الإغلاق الخاص بالباب بفعل الزيوت أو الشحوم، حيث أن هذا قد يؤدي إلى إحداث تشققات بها.
- لا تقم على الإطلاق بتغطية فتحات التهوية الخاصة بالهواء الخارج من الجهاز والداخل إليه أو وضع أي شيء أمامها يعيق دورة تهوية الجهاز.
- لا تقم بوضع أية وسائل في زجاجات أو علب (ولاسيما منها المشروبات المحتوية على الأحماض الكربونية)، حيث أنها من الممكن أن تنفجر.
- ينبغي تجنب تناول الفوري للجيلاتي الجهز بعدو للإمسك منه أو مكعبات الثلج.
- خطر التعرض للاحتراق الناتج عن التجمد البالغ لدرجات حرارة منخفضة جداً!
- تجنب الإمساك بالمواد الغذائية المتجمدة ويداك مبتلنان، حيث أن هذا قد يؤدي إلى تجمد اليدين.
- خطر الإصابة بجروح!
- لا تقم بكحت طبقات الثلج الرقيقة المتكونة أو المواد الغذائية المتجمدة المنتصفة بفعل البرودة باستخدام سكيناً أو أي أداة حادة. فقد ينجم عن ذلك إلحاق الضرر بمواسير وسيط التبريد. إن وسيط التبريد المتطاير باندفاع إلى الخارج من الممكن أن يشتعل وقد يتسبب في إلحاق الأذى بالأعين.



ar-2	تهنئة .....
ar-2	تعليمات الأمان والتنبيهات التحذيرية .....
ar-3	تنبيهات خاصة بالتخلص من الأجهزة المستهلكة .....
ar-4	جهاز كم الحدييد .....
ar-6	تنصيب الجهاز .....
ar-6	تشغيل الجهاز .....
ar-6	ضبط درجة الحرارة .....
ar-7	فصل وإيقاف تشغيل الجهاز .....
ar-7	الخصائص الوظيفية .....
ar-7	مرونة تشكيل الوسط الداخلي للجهاز .....
ar-8	قسم التبريد .....
ar-9	قسم التجميد .....
ar-9	التجميد والحفظ .....
ar-10	الضخاخ الآلي للماء والدافع الآلي للثلج .....
ar-11	ويمكنك توفير الطاقة على هذا النحو .....
ar-11	الأصوات الصادرة عن التشغيل .....
ar-12	إذابة الثلوج المتكونة .....
ar-12	تنظيف الجهاز .....
ar-12	تغلب بنفسك على الأعطال البسيطة .....
ar-14	تغيير لمبة الإضاءة .....
ar-14	تغيير مرشح الماء .....
ar-14	الاتصال بأحد مراكز الخدمة .....
ar-15	دليل التنصيب .....





Subject to modification.

Sous r serve de modifications.

Deęişiklikler olabilir.

ﺣﻖ ﺗﻐﯿﯿﺮ ﻣﺤﻔﻮﻅ ﺍﺳﺖ

ﺋﺤﺘﻔﻆ ﺑﺎﻟﺤﻖ ﻓﻲ ﺇﺟﺮﺍﺀ ﺗﻌﺪﯨﻼﺕ