



Register your new Bosch now:
www.bosch-home.com/welcome



KAD..



BOSCH

en Instructions for use and installation

دستورالعمل های نصب و راهنمای مصرف کنندگان **fa**

en	3
-----------------	---

fa	fa-1
-----------------	------

en Table of Contents

Safety and warning information	4
Information concerning disposal	5
Scope of delivery	5
Your new appliance	6
Installation	8
Connecting the appliance	8
Observe ambient temperature and ventilation	8
Usable capacity	8
Switching on the appliance	9
Button lock	9
Unit of temperature	9
Setting the temperature	9
Switching off and disconnecting the appliance	9
Alarm function	10
“quick ice” function	10
Water filter symbol	10
Variable interior design	10
Fridge	11
Freezer compartment	12
Freezing and storing food	12
Automatic ice and water dispenser	13
Water filter	14
How to save energy	16
Operating noises	16
Defrosting	16
Cleaning the appliance	16
Eliminating minor faults yourself	17
Lighting	18
Calling customer service	18
Installation instructions	19

Safety and warning information

Before you switch ON the appliance

Please read the instructions for use and installation carefully. They contain important information on how to install, use and maintain the appliance.

The manufacturer is not liable for any damage caused by users ignoring the information and warnings contained in the instructions for use and installation.

Keep all documentation for subsequent use or for the next owner.

Technical safety

Warning

- Only customer service may change the power cord and carry out any other repairs. Improper installations and repairs may put the user at considerable risk.

Important information when using the appliance

- Never use electrical appliances inside the appliance (e. g. heaters, electric ice makers, etc.). Risk of explosion!
- NEVER use a steam cleaner to defrost or clean the appliance. Steam may come into contact with electrical components and cause a short-circuit or an electric shock.
- Do not store products which contain flammable propellants (e. g. spray cans) or explosive substances in the appliance. Explosion hazard!
- Do not stand or support yourself on the base, drawers or doors, etc.
- Before defrosting and cleaning the appliance, pull out the mains plug or switch off the fuse. Do not pull out the mains plug by tugging the cable.
- Bottles which contain a high percentage of alcohol must be sealed and stored in an upright position.
- Keep plastic parts and the door seal free of oil and grease. Otherwise, parts and door seal will become porous.
- Never cover or block the ventilation openings for the appliance.
- **Avoiding risks to children and other at-risk persons:**
Those at risk include children, persons with limited physical, cognitive or sensory abilities, and persons who have insufficient knowledge of how to operate the appliance.
Make sure that children and at-risk persons understand the potential dangers involved in using the appliance.
A person responsible for safety must supervise or instruct children and other at-risk persons when they are using the appliance.
Do not allow children under 8 years old to use the appliance.
Supervise children when cleaning and servicing.
Never let children play with the appliance.
- Do not store bottled or canned drinks (especially carbonated drinks) in the freezer compartment. Bottles and cans may explode!

- Do not put an ice lolly or ice cube directly from the freezer compartment into your mouth. Risk of burns from very low temperatures!
- Never touch frozen food with wet hands. Your hands could freeze to the food. Risk of injury!
- Do not scrape off hoarfrost or stuck frozen food with a knife or pointed object. You could damage the refrigerant tubing. Leaking refrigerant may cause eye injuries.

Children in the household

- Keep children away from packaging and its parts. Danger of suffocation from folding cartons and plastic film!
- If the appliance features a lock, keep the key out of the reach of children.

General requirements

The appliance is suitable

- for refrigerating and freezing food,
- for making ice,
- for dispensing drinking water.

This appliance is intended for use up to a maximum height of 2000 metres above sea level.

This appliance is intended for use in the home and the home environment.

The appliance is suppressed according to EU Directive 2004/108/EC.

The refrigerant circuit has been tested for leaks.

This product complies with the applicable safety requirements for electrical appliances (EN 60335/2/24).

Information concerning disposal

Disposal of packaging

The packaging protects your appliance from damage during transit.

All packaging materials are environmentally friendly and recyclable. Please contribute to a better environment by disposing of packaging materials in an environmentally-friendly manner.

Please ask your dealer or inquire at your local authority about current means of disposal.

Warning

Keep children away from packaging and its parts. Danger of suffocation from folding cartons and plastic film!

Disposal of your old appliance

Old appliances are not worthless rubbish! Valuable raw materials can be reclaimed by recycling old appliances.



This appliance is labelled in accordance with European Directive 2012/19/EU concerning used electrical and electronic appliances (waste electrical and electronic equipment – WEEE). The guideline determines the framework for the return and recycling of used appliances as applicable throughout the EU.

Warning

Redundant appliances:

1. Pull out the mains plug.
2. Cut off the power cord and discard with the mains plug.
3. Do not remove the shelves and containers. Leaving them intact makes it more difficult for children to climb in!
4. Never let children play with a worn out appliance. Risk of asphyxiation!

Refrigerators contain refrigerants and the insulation contains gases. Refrigerant and gases must be disposed of properly. Ensure that tubing of the refrigerant circuit is not damaged prior to proper disposal.

Scope of delivery

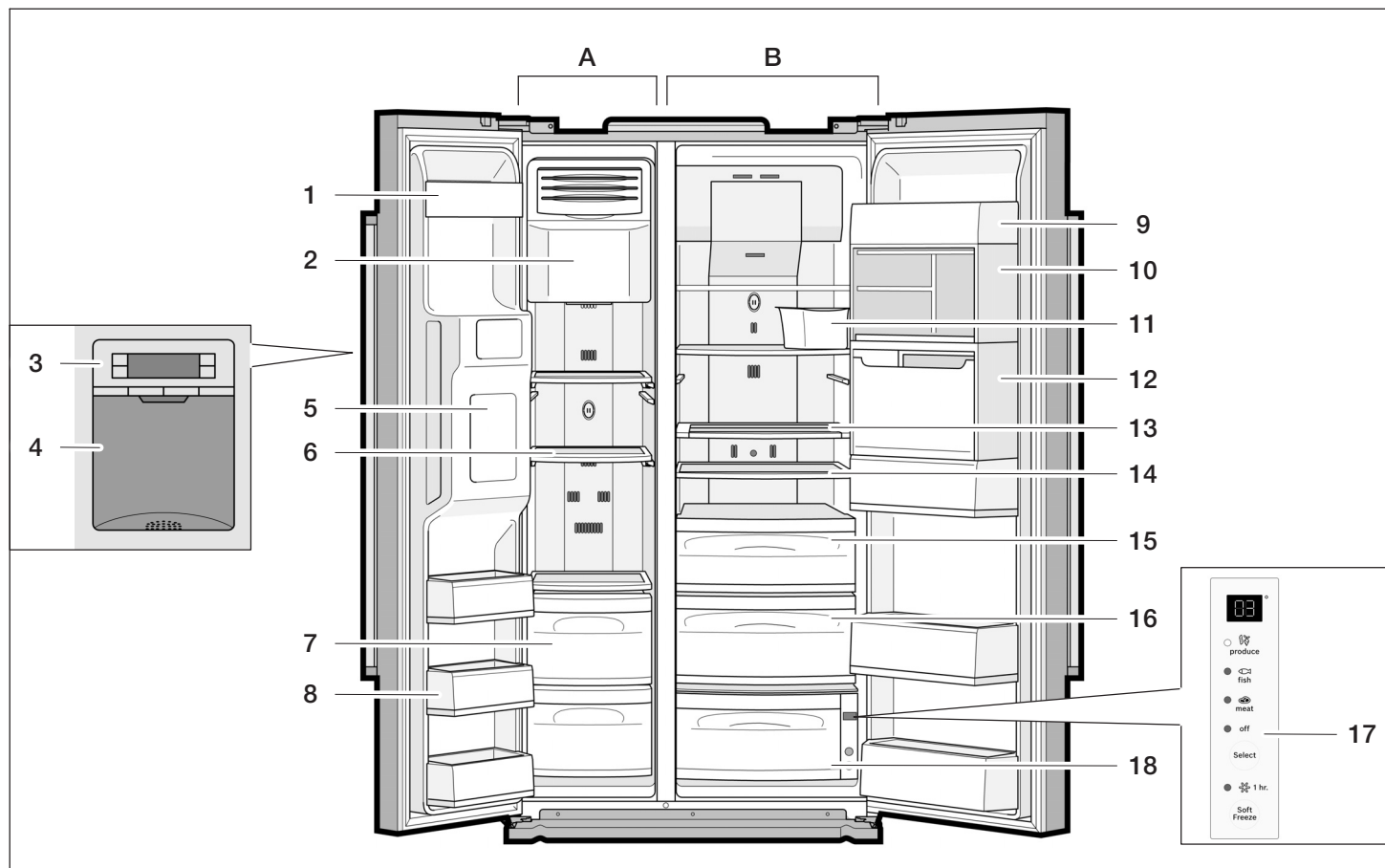
After unpacking the appliance, check all parts for transport damage. If you wish to make a complaint, please contact the dealer from whom you purchased the appliance or our after-sales service.

The scope of delivery includes the following parts:

- Free-standing appliance
- Bag of assembly materials
- Features (vary depending on the model)
- Instructions for use and installation
- After-sales service booklet
- Guarantee slip
- Information on energy consumption and noises

Your new appliance

These operating instructions refer to several models. The illustrations may differ.



A Freezer compartment

can be selected from -14°C to -24°C

B Refrigerator compartment

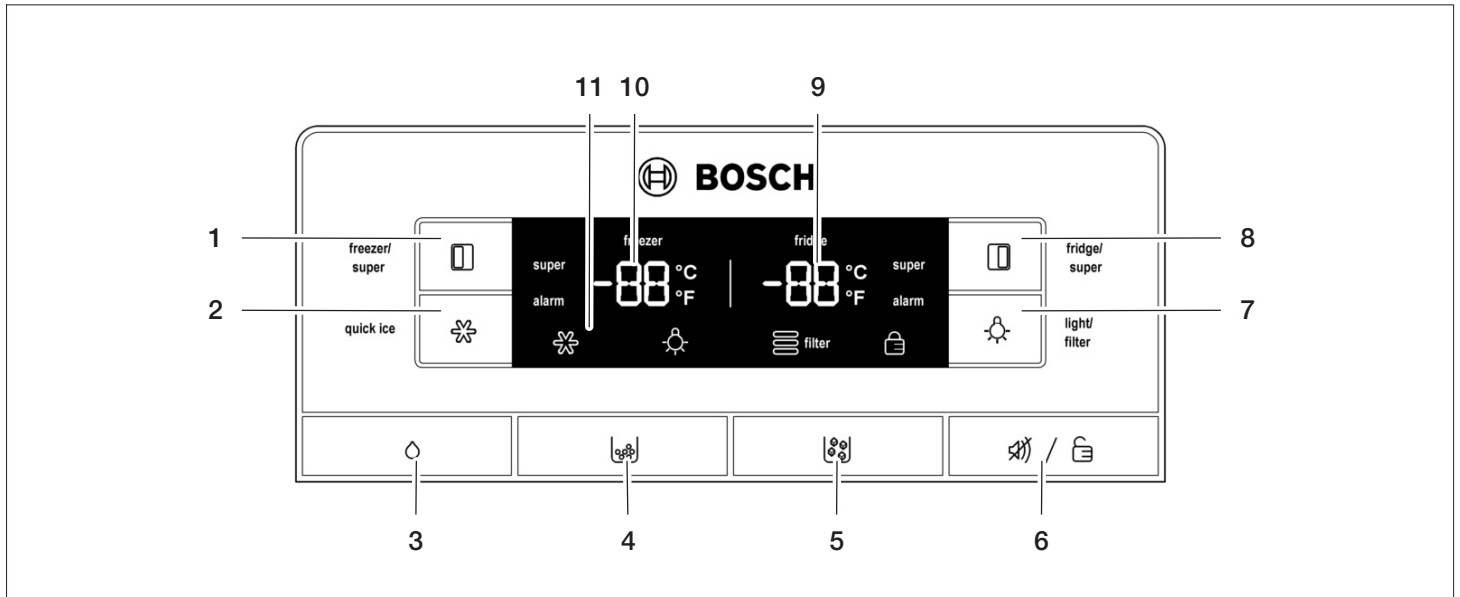
can be selected from $+2^{\circ}\text{C}$ to $+8^{\circ}\text{C}$

- | | |
|--|---|
| <p>1 Door storage compartment (3-star compartment)
for storage of frozen food.</p> <p>2 Ice maker
for production and storage of ice cubes.</p> <p>3 Control and display panel</p> <p>4 Ice and water dispenser</p> <p>5 Frozen-food calendar</p> <p>6 Glass shelves in freezer compartment
for storage of frozen food, e.g. meat, fish, ice cream.</p> <p>7 Freezer compartment drawer
for storage of meat, fish, poultry (packaged).</p> <p>8 Door storage compartment (2-star compartment)
for short-term storage of food and ice cream.</p> | <p>9 Door storage compartment
for storage of tinned food, bottles and jars.</p> <p>10 Multibox</p> <p>11 Egg rack</p> <p>12 Bar compartment
opens from the outside for quick removal of drinks without opening the refrigerator compartment door.</p> <p>13 Folding glass shelf in refrigerator compartment</p> <p>14 Glass shelves in refrigerator compartment
for storage of cooked food, milk products, sausage.</p> <p>15 Vegetable container</p> <p>16 Fruit container</p> <p>17 Control panel
for the cool-fresh compartment.</p> <p>18 Cool-fresh compartment
for optimum storage of fish, meat and poultry.</p> |
|--|---|

Control and display panel

The control and display panel on the door consists of a touch pad.

Touch the keypad to actuate the corresponding function. The control and display panel light goes out after around 20 seconds if you do not touch a button.



1 “freezer/super” button

- For adjusting the temperature of the freezer compartment.
- For switching the “superfreeze” function on and off.

2 “quick ice” button

- For switching the quick ice cube production on and off.

3 Water dispenser button

4 Crushed ice dispenser button

5 Ice cube dispenser button

6 “alarm/lock” button

- For switching off the warning tone.
- For switching the button lock on and off.

7 “light/filter” button

- For switching the light for the ice and water dispenser on and off.
- For resetting the filter display.

8 “fridge/super” button

- For adjusting the temperature of the refrigerator compartment.
- For switching the “supercool” function on and off.

9 Temperature display, refrigerator compartment

Displays the set temperature for the refrigerator compartment

10 Temperature display, freezer compartment

Displays the set temperature for the freezer compartment

Explanation of the symbols on the display panel



“Quick ice”

Quick ice function switched on.



“Lighting”

Ice and water dispenser light switched on.



“Water filter”

State of filter cartridge.



“Button lock”

Button lock switched on.

Installation

Have a technician install and connect the appliance according to the enclosed installation instructions.

Do not remove the transportation protection devices from the shelves and storage compartments until the appliance has been installed.

Always connect the water before the power.

Installation location

Install the appliance in a dry, well ventilated room. The installation location should neither be exposed to direct sunlight nor near a heat source, e.g. a cooker, radiator, etc. If installation near a heat source is unavoidable, use a suitable insulating plate or observe the following minimum distances to a heat source:

- 3 cm to an electric cooker.
- 30 cm to an oil or solid-fuel cooker.

If installing the appliance next to another refrigerator or freezer, there must be a minimum gap of 25 mm between the appliances in order to prevent condensation.

The air heated on the rear side of the appliance must be allowed to escape unhindered.

The floor on which the appliance is to be installed must be rigid. If required, reinforce the floor.

The appliance is very heavy:

Model with dispenser (empty weight)	143 kg
--	--------

To ensure that the ice maker functions correctly, the appliance must be upright. Align the appliance with a spirit level. To ensure that the doors can open all the way, observe lateral minimum distances when installing the appliance in a corner or recess (see section on "Appliance dimensions").

Connecting the appliance

After setting up the appliance, wait for at least one hour before starting the appliance up. The oil contained in the compressor may have been displaced into the refrigeration system during transport.

Clean the inside of the appliance before it is first used (see "Cleaning").

The appliance conforms to protection class I. Connect the appliance to a 220-240 V / 50 Hz alternating current supply using a socket with protective earthing conductor which has been correctly installed.

The socket must be near to the appliance and easily accessible after the appliance has been installed. The socket must be protected by a fuse with a rating of 10 A to 16 A.

In the case of appliances operated outside of Europe, check whether the voltage and type of current specified conform to the values of your power supply. You will find this information on the rating plate at the bottom right inside the appliance.

Warning

The appliance must never be connected up to an electronic energy-saving socket. Sinusoidal-commutated and line-commutated inverters can be used with our appliances. Line-commutated inverters are used with photovoltaic systems that are connected directly to the power supply. Sinusoidal-commutated inverters must be used with standalone applications (e.g. on ships or mountain huts) that do not have a direct connection to the power supply.

Caution:

If the power cord needs to be replaced, this must only be carried out by a skilled professional. Fit strain relief when installing or replacing the power cord.

Do not use extension cables or distributors.

Observe ambient temperature and ventilation

Ambient temperature

The climate class can be found on the rating plate. It states the room temperature within which the appliance can be operated.

Climate class	Permitted ambient temperature
SN	+10 °C to 32 °C
N	+16 °C to 32 °C
ST	+16 °C to 38 °C
T	+16 °C to 43 °C

Note:

The appliance can function within the ambient temperature limits of the specified climate class. If an appliance in the SN climate class is operated at lower ambient temperatures, damage to the appliance can be excluded up to a temperature of +5 °C.

Ventilation

The air on the rear panel of the appliance heats up. Conduction of the heated air must not be obstructed. Otherwise, the refrigerating unit has to work harder, which increases the appliance's power consumption.

Therefore: You must never cover or block the ventilation openings!

Usable capacity

Information on the usable capacity can be found inside your appliance on the rating plate (see chapter "Calling customer service").

Switching on the appliance

Insert the mains plug into a socket. An acoustic warning tone sounds.

The appliance begins to cool down as soon as it is connected to the power supply. When the doors are open, the interior lights come on.

Note:

The preset temperatures are reached after several hours. Do not put any food in the appliance beforehand.

To change the set temperatures → see “Setting the temperature”.

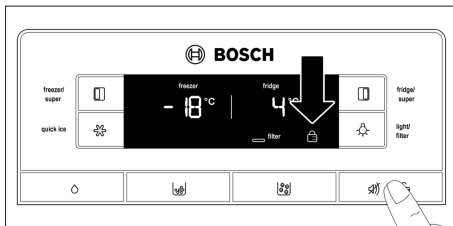
Button lock

If the button lock function is on, all buttons on the control and display panel are locked.

However, even if the button lock is on, you can turn off the warning tone if it sounds using the “alarm/lock” button.

To switch the button lock on:

Press the “alarm/lock” button, the “button lock” symbol appears.



To switch the button lock off:

Press the “alarm/lock” button for 2 seconds.

Unit of temperature

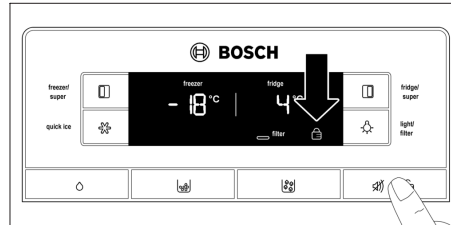
The temperature can be displayed in degrees Celsius (°C) or in degrees Fahrenheit (°F).

When the device is switched on, the appliance initially displays the temperature in degrees Celsius (°C).

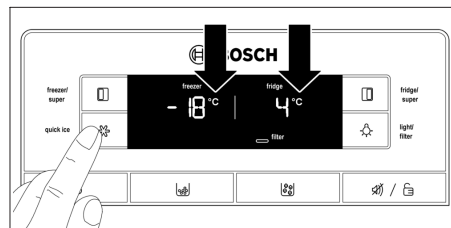
To set the unit of temperature:

Press the “alarm/lock” button for 2 seconds.

The “button lock” symbol appears.



Hold down the “quick ice” button for 15 seconds until the unit of temperature changes.



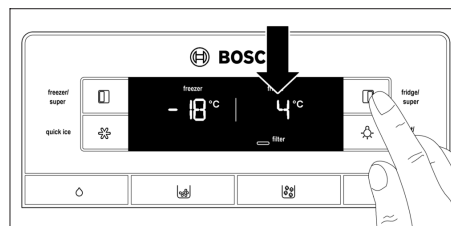
Setting the temperature

The temperature for the refrigerator and freezer compartments can be adjusted separately. The set value is indicated on the display panel.

Refrigerator compartment

(can be set between +2 °C and +8 °C)

Press the “fridge/super” button repeatedly until the required refrigerator compartment temperature is set.



The last set value is saved.

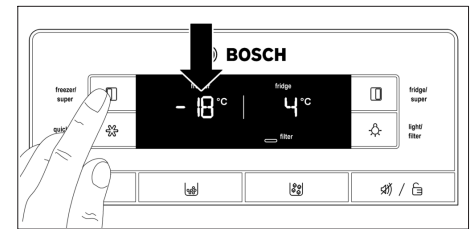
We recommend a setting of +4 °C.

Perishable foods should not be stored at temperatures of more than +4 °C.

Freezer compartment

(can be set between -15 °C and -22 °C)

Press the “freezer/super” button until the required freezer compartment temperature is set.



The last set value is saved.

We recommend a setting of -18 °C.

Switching off and disconnecting the appliance

Switching off the appliance

- Pull out the mains plug.

Disconnecting the appliance

If the appliance is not used for a prolonged period:

- Take all food out of the appliance.
- Cut off the water supply.
- Empty the ice cube container (see “Cleaning the appliance”).
- Run off the remaining drinking water.
- Pull out the mains plug.
- Remove the water filter.

Note:

Before switching on the appliance again, install a new water filter!

- Clean the appliance interior (see “Cleaning the appliance”).

To prevent odours, leave the doors open.

If there is a risk of frost, empty the water container for the drinking water dispenser (see installation instructions).

If moving house

Remove all detachable parts and pack each one carefully. Secure the doors and flaps with adhesive tape and transport the appliance in an upright position.

Alarm function

The warning tone sounds if the appliance is too warm or if the appliance doors are left open for more than three minutes.

The warning tone sounds with two short beeps. There is a one minute pause between each warning tone.

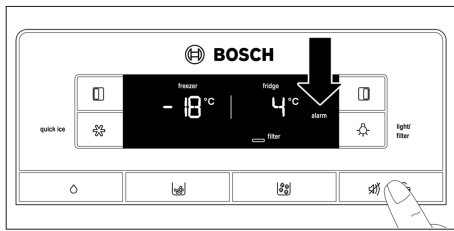
Refrigerator compartment

The display panel indicates “alarm” on the right-hand side.

To switch off the warning tone:

Press the “alarm/lock” button or close the refrigerator compartment doors.

The “alarm” indicator on the display panel flashes until the temperature approaches the set temperature.



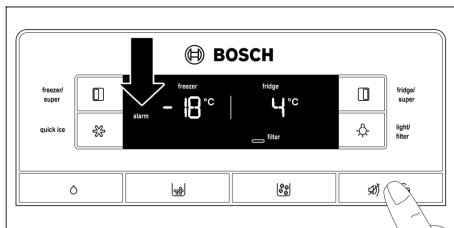
Freezer compartment

The display panel indicates “alarm” on the left-hand side.

To switch off the warning tone:

Press the “alarm/lock” button or close the freezer compartment door.

The “alarm” indicator on the display panel flashes until the temperature approaches the set temperature.



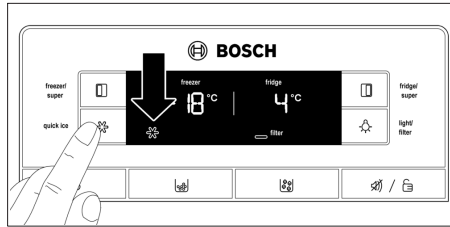
“quick ice” function

You can use this function to produce ice cubes quickly.

To switch on the quick ice function:

Press the “quick ice” button.

The display panel shows the “quick ice” symbol.







If the ice cube container is full, the quick ice function switches off automatically after a few hours.

Note:

When the quick ice function is switched on, the power of your appliance is increased for a while. As a result, the appliance’s energy consumption also increases.

Water filter symbol

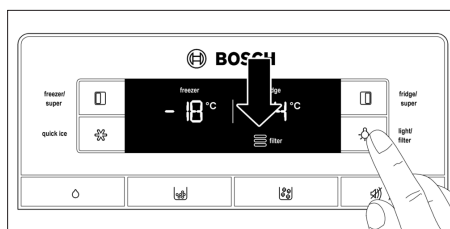
The symbol indicates the duration of the usage of the filter.

	Up to two months.
	Up to four months.
	Up to six months.
	After six months: The symbol flashes. Replace the filter cartridge.

When you switch off the appliance, the water filter symbol is reset.

After changing the filter cartridge, reset the water filter symbol:

Hold down the “light/filter” button for 3 seconds.

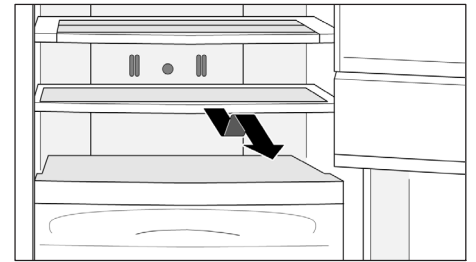


The symbol stops flashing.

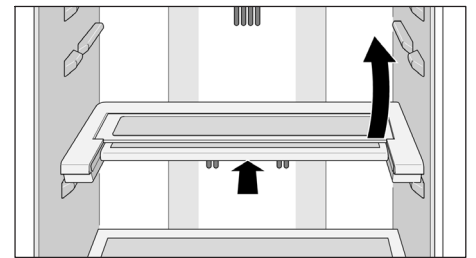
Variable interior design

You can vary the shelves inside the appliance and the containers in the door to suit your requirements.

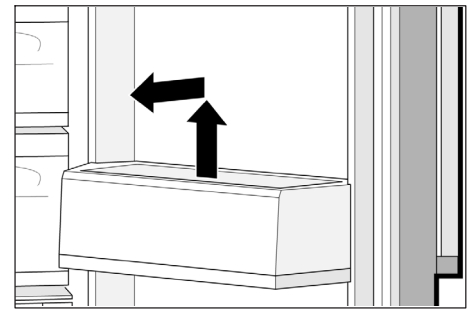
- Pull the shelf forwards and remove.



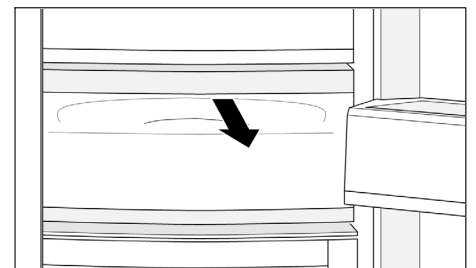
- Lift the folding glass shelf slightly, push it to the rear and fold it upwards.



- Lift the container and remove.



- Pull drawers forwards, raise slightly and remove.



Fridge

Using the refrigerator compartment

For storage of cakes and pastries, ready meals, tinned food, condensed milk, hard cheese, fruit and vegetables sensitive to the cold: tropical fruit, e.g. mandarins, bananas, pineapples, melons, avocados, papayas, passion fruit, aubergines, also fruit which requires further ripening, tomatoes, cucumbers, green tomatoes, potatoes.

When storing food, comply with the following:

- Allow warm food and drinks to cool down outside the appliance.
- To prevent food from losing its flavour or drying out, place in airtight containers.
- Do not block air outlet openings with food, otherwise the air circulation will be impaired.
- Avoid contact of oil and fat with the plastic parts and door seal.
- Store high-percentage alcohol tightly closed and standing up, do not store any explosive substances in the appliance. Explosion hazard!

“Super” cooling

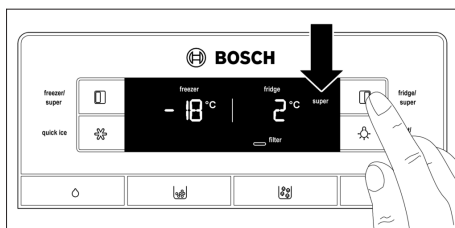
The supercool function chills the refrigerator compartment as much as possible for approx. 6 hours. It then automatically sets the temperature to +4 °C.

The supercool function is recommended in the following cases:

- Before placing large quantities of food into the fridge.
- For quickly cooling drinks.

To switch on the supercool function:

Press the “fridge/super” button until the display panel indicates “super” on the right-hand side.



To switch off the supercool function:

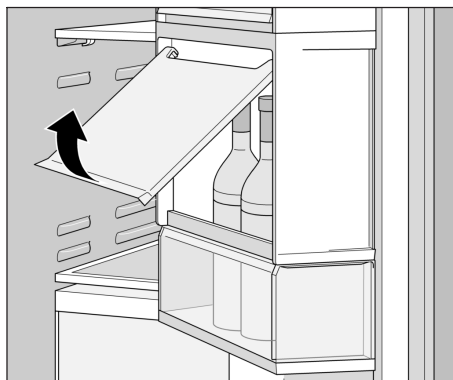
Press the “fridge/super” button.

The “super” indicator disappears from the display panel. The temperature is automatically set to +4 °C.

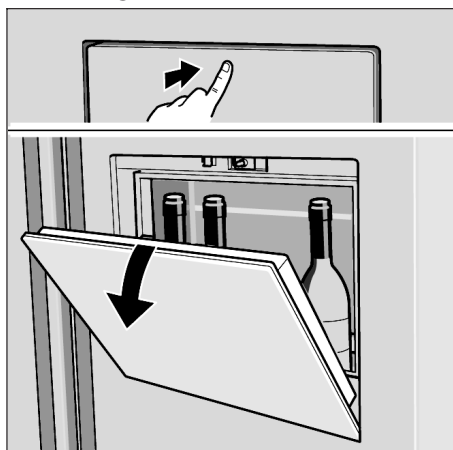
Bar compartment

To remove drinks, etc. from the refrigerator compartment, it is not necessary to open the door.

Loading the bar compartment



Removing drinks



“Cool-fresh” compartment

(not all models)

The temperature in this compartment is kept at almost 0 °C. This provides optimum storage conditions for fresh food.

- Using the “Select” button, select the appropriate food (produce 3 °C ▶ fish -1 °C ▶ meat -3 °C ▶ off). The selection is indicated by a lit LED and temperature.



For rapid cooling of food:

- Press the “Soft Freeze” button.



The cool-fresh compartment is cooled as much as possible for 60 minutes. The LED lights up and the display shows the remaining time.

Note:

- In the “off” position the compartment adopts the temperature of the compartment situated above.
- The displayed temperature is a required temperature. The temperature in the “cool-fresh” compartment may deviate slightly.

Foods not suitable for the “cool-fresh” compartment:

- Fruit and vegetables sensitive to the cold (tropical fruit, avocados, papayas, passion fruit, aubergines, cucumbers, peppers)
- Ripening fruit (green tomatoes, bananas)
- Potatoes
- Hard cheese

When buying food, please note:

The “purchase freshness” is important for the shelf-life of your food. In principle the following applies: the fresher the food is placed in the “cool-fresh” compartment, the longer it will keep. When buying food, always note the degree of freshness.

Storage times (at 0 °C):

Depending on the initial quality	
Sausage, cold cuts, meat, offal, fish, fresh milk, curds	up to 7 days
Small pieces of meat, fried sausage, mushrooms, lettuce, leafy vegetables	up to 10 days
Large pieces of meat, ready meals	up to 15 days
Smoked or cured sausage, cabbage	up to 20 days
Large pieces of heat-treated meat, beef, game, pulses	up to 30 days

Freezer compartment

Use the freezer compartment

- for storing deep-frozen food.
- to freeze food.
- to make ice cubes.

Note:

Ensure that the freezer compartment door is always closed. If the door is open, the frozen food will thaw. The freezer compartment will become covered in thick ice.

Also: Energy will be lost due to high power consumption.

“Super” freezing

Food should be frozen right through as quickly as possible in order to preserve its vitamins, nutritional values, appearance, and taste.

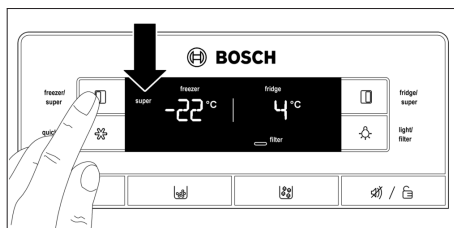
To prevent undesired temperature increases when fresh food is placed into the appliance, switch on the superfreeze function a few hours before inserting the food.

In general, 4 to 6 hours are sufficient. To use the maximum freezing power, switch this function on 24 hours beforehand.

You can freeze smaller quantities of food without using the superfreeze function.

To switch the superfreeze function on:

Press the “freeze/super” button until the display panel indicates “super” on the left-hand side.



To switch off the superfreeze function:

Press the “freeze/super” button.

The “super” indicator disappears from the display panel. The temperature is automatically set to $-18\text{ }^{\circ}\text{C}$.

Note:

The superfreeze function automatically switches off after 2 days.

Freezing and storing food

Storing deep-frozen food

When purchasing deep-frozen food, comply with the following:

- Check that the packaging is not damaged.
- Check the sell-by date.
- The temperature of the supermarket freezer should be $-18\text{ }^{\circ}\text{C}$ or lower. If not, the storage life of the food is reduced.
- Purchase deep-frozen food last. Wrap in newspaper or place in a cold bag and take home.
- At home immediately place deep-frozen food in the freezer compartment. Use the deep-frozen food before the sell-by date runs out.
- Do not refreeze thawed food. Exception: If you use the food to make a ready meal (boiling or frying), you can refreeze this ready meal.

Freezing food yourself

Freeze fresh, undamaged food only.

To prevent food from losing its flavour or drying out, wrap the food in airtight film or place in containers. In order to retain the vitamins, nutritional value, appearance and flavour food should be frozen as quickly as possible. Do not exceed the max. freezing capacity.

How to wrap food correctly:

- Place the food in the wrapping.
- Press out all the air.
- Seal the wrapping.
- Label the wrapping with the contents and date.

The following products are not suitable for wrapping food:

Wrapping paper, greaseproof paper, cellophane, reuse bags and used shopping bags.

The following products are suitable for wrapping food:

Plastic film, polyethylene blown film, aluminium foil and freezer tins.

These products can be purchased from a specialist outlet.

The following products are suitable for sealing the wrapped food:

Rubber bands, plastic clips, string, cold-resistant adhesive tape or similar.

Bags and polyethylene blown film can be sealed with a film sealer.

Freezing capacity

You can freeze up to 10 kg of food within 24 hours.

Storage duration of the frozen food

The storage period depends on the type of produce.

At a mean temperature:

Fish, sausage, ready meals, cakes and pastries	up to 6 months
Cheese, poultry and meat	up to 8 months
Vegetables and fruit	up to 12 months

Thawing frozen food

Depending on the type of food and intended use, frozen produce can be thawed as follows:

- at room temperature
- in the refrigerator
- in an electric oven, with/without hot-air fan
- in the microwave

Note:

Do NOT refreeze food which is beginning to thaw or has already thawed. The food cannot be refrozen until it has been prepared (boiled or fried).

No longer store the frozen produce for the max. storage period.

Automatic ice and water dispenser

The following can be dispensed as required:

- cooled water
- ice cubes
- crushed ice

⚠ Warning

Do not use fragile receptacles for dispensing water or ice – risk of injury from broken glass!

Keep fingers clear of the discharge opening. Risk of injury from crusher blades!

Note:

The ice and water dispenser will not function unless the appliance is connected to the power supply.

When switching on your new appliance, observe the following

When the appliance has been connected, there are still air bubbles in the lines.

Run off drinking water and pour away until water can be dispensed without bubbles. Pour away the first 5 glasses.

When using the ice maker for the first time, do not use the first 30-40 ice cubes for reasons of hygiene.

Operating the ice maker

When the freezer compartment has reached its freezing temperature, water flows into the ice maker and freezes into ice cubes. When the ice cubes are ready, they are automatically discharged into the ice cube container.

Occasionally the sides of the ice cubes stick together. When they are conveyed to the outlet opening, they usually break away from each other.

When the ice cube container is full, ice making switches off automatically.

The ice maker can make approx. 100 ice cubes within 24 hours.

Do not place bottles or food in the cube container in order to cool them quickly. The ice maker may block and be damaged.

When the appliance has been switched on, it takes approx. 24 hours until the first batch of ice cubes are ready.

When ice cubes are being made, the buzzing water valve, the water flowing into the ice cube tray and the falling ice cubes can be heard.

Drinking water quality

All materials used in the drinks dispenser are odourless and tasteless.

If the water has an aftertaste, this may be caused by:

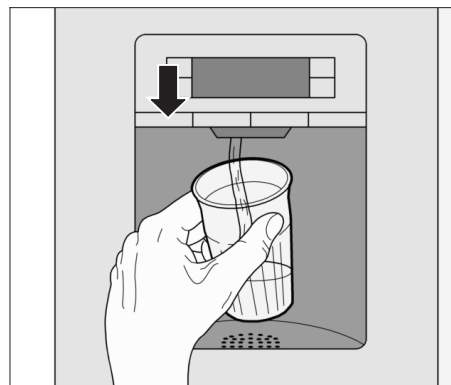
- Mineral and chlorine content of the drinking water.
- Material of the domestic water line or connection line.
- Freshness of the drinking water (if water has not been dispensed for a long time, the water may have a “stale” taste. In this case dispense approx. 15 glasses of water and pour away).

Taste and odour of the water may be improved by installing the enclosed water filter.

The enclosed water filter will filter only particles out of the supply water, not bacteria or microbes.

Dispensing water

1. Hold a suitable container under the ice and water dispenser.
2. Press the water dispenser button until the required quantity of water is in the container.

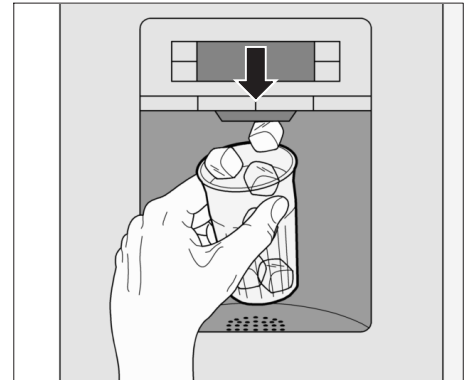


Tip:

The water from the water dispenser is cooled to a palatable temperature. If you would like the water colder, place ice cubes in the glass before dispensing the water.

Dispensing ice

1. Hold a suitable container under the ice and water dispenser.
2. Press the ice cube or crushed ice dispenser button until the required quantity of ice is in the container.

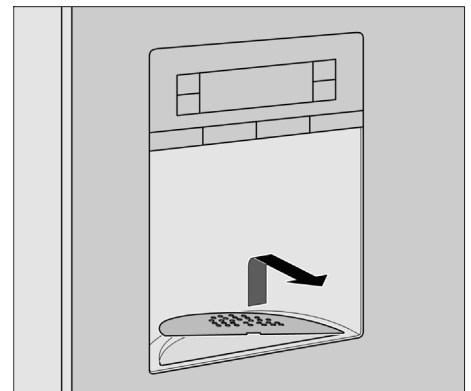


Note:

- Only press the button long enough to fill half the container. Ice in the discharge may cause the receptacle to overflow or block the discharge.
- After switching over from dispensing ice cubes to crushed ice, the dispenser may still contain whole ice cubes or pieces of ice cube. These will be dispensed with the first portions of crushed ice.

Removing and cleaning the water collecting tray

Spilled water collects in the water collecting tray. The water collecting tray can be emptied and cleaned by pulling it out.



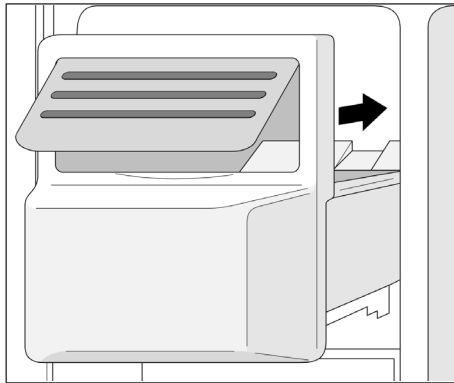
Removing and cleaning the ice cube container

If ice cubes have not been dispensed for a prolonged period, they will shrink, have a stale taste and stick together.

- Pull out the container, empty and clean with lukewarm water.
- Thoroughly dry the container and screw conveyor to prevent new ice cubes from sticking.

Inserting the ice cube container

- Push the ice cube container all the way back onto the supports until it locks into position.



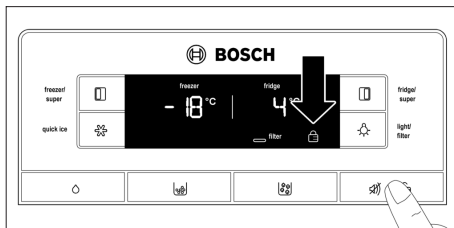
- If the container cannot be pushed all the way back, twist the screw conveyor in the container.

Ice cube production continues.

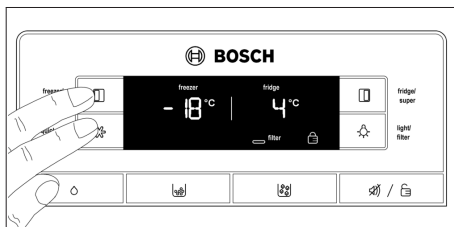
Disconnecting the ice cube maker

If ice cubes are not to be dispensed for longer than 1 week (e.g. holiday), temporarily disconnect the ice cube maker to prevent the ice cubes from freezing together.

- Press the “alarm/lock” button, the “button lock” symbol appears.



- Press and hold the “freezer/super” and “quick ice” buttons at the same time for 5 seconds until the audible warning signal sounds.



- Remove the ice cube container, empty and re-insert. Ensure that the ice cube container engages with the support.

Note:

The dispensing buttons for ice cubes or crushed ice do not work; an audible warning signal sounds when you press these buttons.

Switching on the ice cube maker again:

- Press the “alarm/lock” button, the “button lock” symbol appears.
- Press and hold the “freezer/super” and “quick ice” buttons at the same time for 5 seconds until the audible warning signal sounds.

Water filter

⚠ Warning

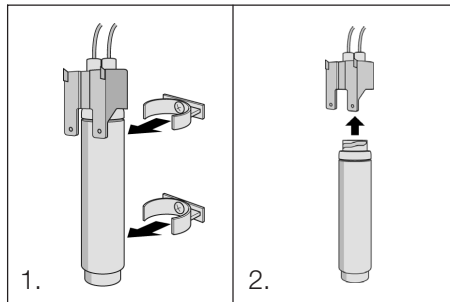
In places where the water quality is suspect or unknown, do not use the appliance without adequate disinfection before or after filtering.

A new filter can be obtained from after-sales service.

Change the filter at least every 6 months, and, at the latest, when it is indicated in the display.

Changing the filter

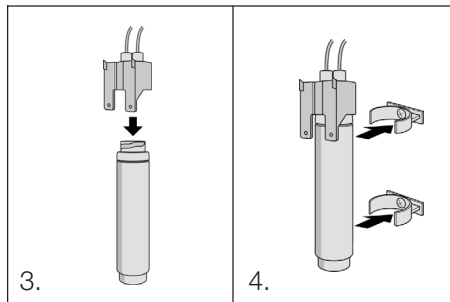
- **Caution:** unplug the appliance or switch off the circuit breaker.
- Disconnect the water supply to the appliance.
- Remove the used water filter from the filter holders (1).



- Disconnect the filter head from the used filter (2).

Do not set down the connecting lines! Any remaining water in the appliance and the lines may escape.

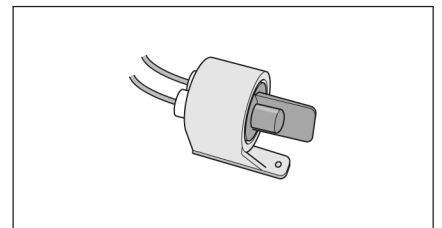
- Connect the filter head to the new water filter (3).



- Insert the water filter in the filter holders (4).

Information concerning the water filter

- After use, the water system is subject to low pressure. Proceed with caution when removing the filter.
- Flush the water system if the appliance has not been in use for a lengthy period, or if the ice/water has an unpleasant taste or smell. To do this, dispense water through the water dispenser for several minutes. If the unpleasant taste or smell remains, replace the filter.
- Protect from frost. Remove the filter cartridge if you expect the temperature to drop below freezing.
- Do not install the water filter if the water pressure is greater than 8.0 bar. If the water pressure is greater than 5.5 bar, a pressure reducing valve must be fitted. If you are not sure what the water pressure is, contact an installation expert.
- If pressure surges could occur in the water pipe, do not install the water filter without a suitable surge eliminator. Contact an installation expert if you are not sure whether pressure surges could occur in the water pipe.
- After installing a new filter: Discard any ice produced in the first 24 hours after switching on.
- If no ice has been removed for a lengthy period: Empty the ice box and discard any ice produced over the next 24 hours.
- The ice and water dispenser can also be used without a water filter, in which case the cap of the filter head must be used.



Performance data sheet

Model 9000 7775078

Use Replacement Cartridge 9000 674655.

The concentration of the indicated substances in water entering the system was reduced to a concentration less than or equal to the permissible limit for water leaving the system as specified in NSF/ANSI Standard 42 and Standard 53.



System tested and certified by NSF International against NSF/ANSI Standard 42 and Standard 53 for the reduction of the claims specified on the Performance Data Sheet.

Capacity 739.68 Gallons (2800 Liters)

Contaminant Reduction Determined by NSF testing.

Contaminant Reduction	Average Influent	NSF specified Challenge Concentration	Avg % Reduction	Average Product Water Concentration	Max Permissible Product Water Concentration	NSF Reduction Requirements	NSF Test Report
Chlorine Taste and Odor	2,1 mg/l	2,0 mg/l ± 10 %	97,6 %	0,05 mg/l	N/A	≥ 50 %	J-00121313
Nominal Particulate Class I, ≥ 0,5 to < 1,0 µm	9.100.000 particles/ml	Mind. 10.000 particles/ml	98,8 %	111.817 particles/ml	N/A	≥ 85 %	J-00099871
Cyst*	170.00 cysts/l	Minimum 50.000 cysts/l	99,99 %	0,001 cyst/l	N/A	≥ 99,95 %	J-00109715
Turbidity	11 NTU	11 ± 1 NTU	98,1 %	< 1 NTU	0,5 NTU	≥ 95,5 %	J-00099885

* Based on the use of Cryptosporidium parvum oocysts

Application Guidelines/Water Supply Parameters	
Service Flow	0,75 gpm (2,83 lpm)
Water Supply	Potable Water
Water Pressure	30 - 120 psi (207 - 827 kPa)
Water Temperature	0,6 °C - 38 °C (33 °F - 100 °F)

It is essential that the manufacturer's recommended installation, maintenance and filter replacement requirements be carried out for the product to perform as advertised. See Installation Manual for Warranty information.

Note: While the testing was performed under standard laboratory conditions, actual performance may vary.

Replacement Cartridge: 9000 674655. For estimated costs of replacement elements please contact your local dealer or call 1-800-578-6890.

Warning

To reduce the risk associated with ingestion of contaminants:

- Do not use with water that is microbiologically unsafe or of unknown quality without adequate disinfection before and after the system. Systems certified for cyst reduction may be used on disinfected water that may contain filterable cysts.

EPA Establishment Number 10350-MN-005

3M is a trademark of 3M Company used under license.

NSF is a trademark of NSF International.

© 2013 3M Company. All rights reserved.

Caution

To reduce the risk associated with property damage due to water leakage:

- Read and follow** Use Instructions before installation and use of this system.
- Installation and use **MUST** comply with all state and local plumbing codes.
- Do not install if water pressure exceeds 120 psi (827 kPa). If your water pressure exceeds 80 psi, you must install a pressure limiting valve. Contact a plumbing professional if you are uncertain how to check your water pressure.
- Do not install where water hammer conditions may occur. If water hammer conditions exist you must install a water hammer arrester. Contact a plumbing professional if you are uncertain how to check for this condition.
- Do not install on hot water supply lines. The maximum operating water temperature of this filter system is 100 °F (38 °C).
- Protect filter from freezing. Drain filter when temperatures drop below 33 °F (0.6 °C).
- The disposable filter cartridge must be replaced every 6 months, at the rated capacity or if a noticeable reduction in flow rate occurs.

Manufactured by:
 3M Purification Inc.
 400 Research Parkway
 Meriden, Ct 06450
 USA
 Tel. (800) 222-7880
 (203) 237-5541

How to save energy

- Install the appliance in a cool, well ventilated room, but not in direct sunlight and not near a heat source (radiator, cooker, etc.). If required, use an insulating plate.
- Allow warm food and drinks to cool down before placing in the appliance!
- When thawing frozen food, place it in the refrigerator compartment. The low temperature of the frozen products cools the food in the refrigerator.
- Open and close the door as briefly as possible.
- Clean the rear side of the appliance occasionally in order to avoid increased power consumption.

The arrangement of the fittings does not affect the energy rating of the appliance.

Operating noises

Normal noises

Humming – refrigerating unit is running. The fan in the circulating air system is running.

Bubbling, gurgling or whirring noises – refrigerant is flowing through the tubing. Water flowing into the ice maker.

Clicking – motor is switching on or off. Solenoid valve on the water connection is opening or closing.

Rumbling – ready ice cubes from the ice maker are falling into the ice cube container.

Noises which can be easily rectified

The appliance is not level

Please align the appliance with a spirit level. Use the height-adjustable feet or place something under the feet.

The appliance is touching adjacent units or appliances

Please move the appliance away from adjacent units or appliances.

Drawers, baskets or storage areas are loose or sticking

Please check the removable parts and, if required, reinsert them.

Receptacles are touching each other

Please move bottles or receptacles away from each other.

Defrosting

Defrosting is actuated automatically.

The water which occurs during defrosting runs down to the evaporation tray on the rear panel in the refrigerator and evaporates automatically.

Cleaning the appliance

- **Attention:** Pull out the mains plug or switch off the fuse!
- Clean the door seal with water only and then dry thoroughly.
- Clean the appliance with tepid rinsing water. The rinsing water must not drip onto the fascia or light.
- Do not use abrasive, acidic or chlorine-based cleaning agents or solvents.

Do not place the cold glass shelves directly from the freezer compartment into hot water.

Never clean the shelves or containers in the dishwasher. The parts may warp.

- After cleaning: insert the mains plug or switch on the fuse.

Warning!

Never touch frozen food with wet hands. Your hands could freeze to the food. Risk of injury!

Never use a steam cleaner to clean the appliance. The steam may come into contact with live parts in the appliance and cause a short-circuit or electric shock. Steam may damage the plastic surfaces.

Eliminating minor faults yourself

Before you call customer service:

Please check whether you can eliminate the fault yourself based on the following information. Customer service will charge you for advice, even if the appliance is still under guarantee!

Refrigerator and freezer compartments

Fault	Possible cause	Remedial action
Appliance has no refrigerating capacity. The interior light is not functioning.	Power failure; the fuse has been switched off; the mains plug has not been inserted properly.	Check whether the power is on, the fuse must be switched on.
The refrigerating unit is switching on more frequently and for longer.	Appliance door opened frequently.	Do not open the door unnecessarily.
	Large quantities of fresh food are being frozen.	Do not exceed max. freezing capacity.
	The ventilation openings have been covered.	Remove obstacles.
The temperature in the refrigerator or freezer compartment is too cold.	Temperature has been set too low.	Select a warmer temperature (see "Setting the temperature").
The frozen food is frozen solid.		Loosen frozen food with a blunt object. Do not use a knife or pointed object.
There is a thick layer of frost in the freezer compartment.		Always ensure that the appliance door is closed.
The interior light is not functioning.	The lighting is defective.	See chapter "Lighting".
	Light switch is sticking.	Check whether you can move the light switch.
The freezer compartment is no longer reaching the selected temperature.	The freezer compartment door was open too long. The evaporator (refrigeration generator) is covered in such a thick layer of ice that the fully automatic defrosting system is no longer able to defrost this amount of ice.	Take frozen food out of the appliance, insulate thoroughly and place in a cool location. After approx. 12 hours the ice in the refrigerating system has thawed. Switch on the appliance again and put back the frozen food. Note: To prevent loss of refrigeration, do not open the refrigerator compartment door unnecessarily often. If the fault cannot be rectified by means of the above information, please call customer service.

Water and ice dispenser

Fault	Possible cause	Remedial action
Despite prolonged operating time, ice cubes are not being dispensed.	Tap turned off.	Turn tap on.
	Water supply is interrupted. Water pressure too low.	Inform plumber.
	The button lock is switched on.	Switch off the button lock.
	The ice maker has been shut down.	Restart the ice maker.
	Freezer compartment too warm.	Lower temperature in the freezer compartment (see "Setting the temperature").
Ice cubes are in the ice cube container but are not being dispensed.	Ice cubes are frozen together.	Remove and empty the ice cube container.
Ice cubes are jammed in the outlet of the ice cube container or in the ice crusher.		Remove the ice cube container and rotate the screw conveyor by hand. Loosen any jammed chunks of ice with a wooden chopstick.

Fault	Possible cause	Remedial action
Ice cubes are watery.	Ice cubes have melted – power failure or the freezer compartment door was not closed properly.	Remove the ice cube maker, empty and rub dry.
Ice cubes are evaporating.		Cold air flowing over the ice cubes is causing shrinkage, particularly if consumption is low. This is normal.
The flap on the ice cube dispenser is not closing properly.	Ice cubes are preventing the flap from closing.	Remove ice cubes.
Ice cubes are sticking in the ice cube tray.	Limescale from the water may be forming in the trays.	Moisten a cloth with vinegar and wipe out the trays. If limescale is thick, always clean the trays when cleaning the refrigerator compartment.
Ice cubes are not the same size and there is water in the ice cube container.	The appliance is not level.	Align the appliance with a spirit level and with the height-adjustable rollers or feet (see Installation instructions).
Water dispenser is not functioning.	Tap turned off.	Turn tap on.
	Water supply is interrupted. Water pressure too low.	Inform plumber.
	Freezer compartment too warm.	Lower temperature in the freezer compartment (see “Setting the temperature”).

Lighting

Your device is equipped with a maintenance-free LED light.

Caution!

Risk of eye injuries due to Class 1M laser radiation (IEC 60825)!

Do not look straight at the light using optical instruments.

Any repair work on the lighting may only be carried out by customer services or authorised experts.

Interior light automatically switches off

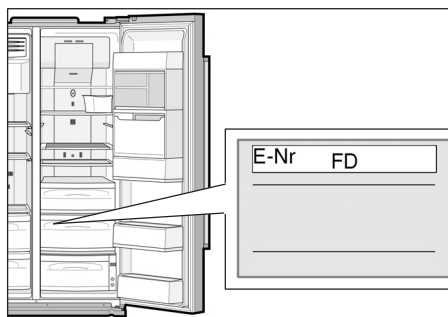
If an appliance door is left open for longer than 10 minutes, the interior light automatically switches off to prevent overheating. This saves energy.

Calling customer service

Your local customer service can be found in the telephone directory or in the customer-service index.

Please provide customer service with the appliance product number (E-Nr.) and production number (FD).

This information can be found on the rating plate.



To prevent unnecessary call-outs, please assist customer service by quoting the product and production numbers. This will save you additional costs.

Repair order and consultation if faults occur

You find the regional service contact of all countries in the enclosed service booklet.

Installation instructions

The appliance may be installed and connected only by an authorised technician according to these installation instructions.

Always connect the water before the power.

Apart from statutory national regulations, you should stick to the connection terms relating to the local electricity and water companies.

Keep the installation instructions in a safe place.

Transporting

The appliance is heavy and must be secured during transportation and installation.

Model with dispenser (empty weight)	143 kg
-------------------------------------	--------

Because of the weight/dimensions of the appliance and to minimise the risk of injuries and damage to the appliance at least two persons are necessary to set-up the appliance securely.

Installation location

Install the appliance in a dry, well ventilated room. The installation location should neither be exposed to direct sunlight nor near a heat source, e.g. a cooker, radiator, etc. If installation next to a heat source is unavoidable, use a suitable insulating plate or observe the following minimum distances to a heat source:

- 3 cm to an electric cooker.
- 30 cm to an oil or solid-fuel cooker.

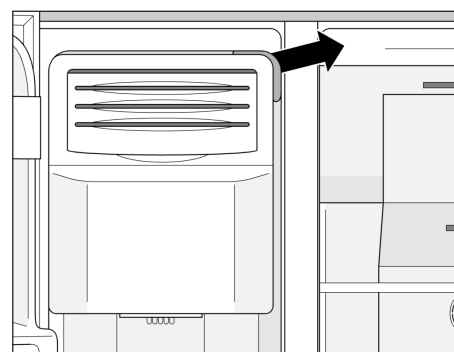
If installing the appliance next to another refrigerator or freezer, there must be a minimum gap of 25 mm between the appliances in order to prevent condensation.

The floor on which the appliance is to be installed must be rigid. If required, reinforce the floor (appliance is very heavy, loaded up to 400 kg). To ensure that the ice maker functions correctly, the appliance must be upright. To ensure that the doors can open all the way, observe lateral minimum distances when installing the appliance in a corner or recess (see section on "Appliance and installation dimensions").

If a panel or cupboard is installed above the appliance, ensure that a gap of 30 mm is left so that the appliance can be pulled out of the recess if required.

Unpacking the appliance

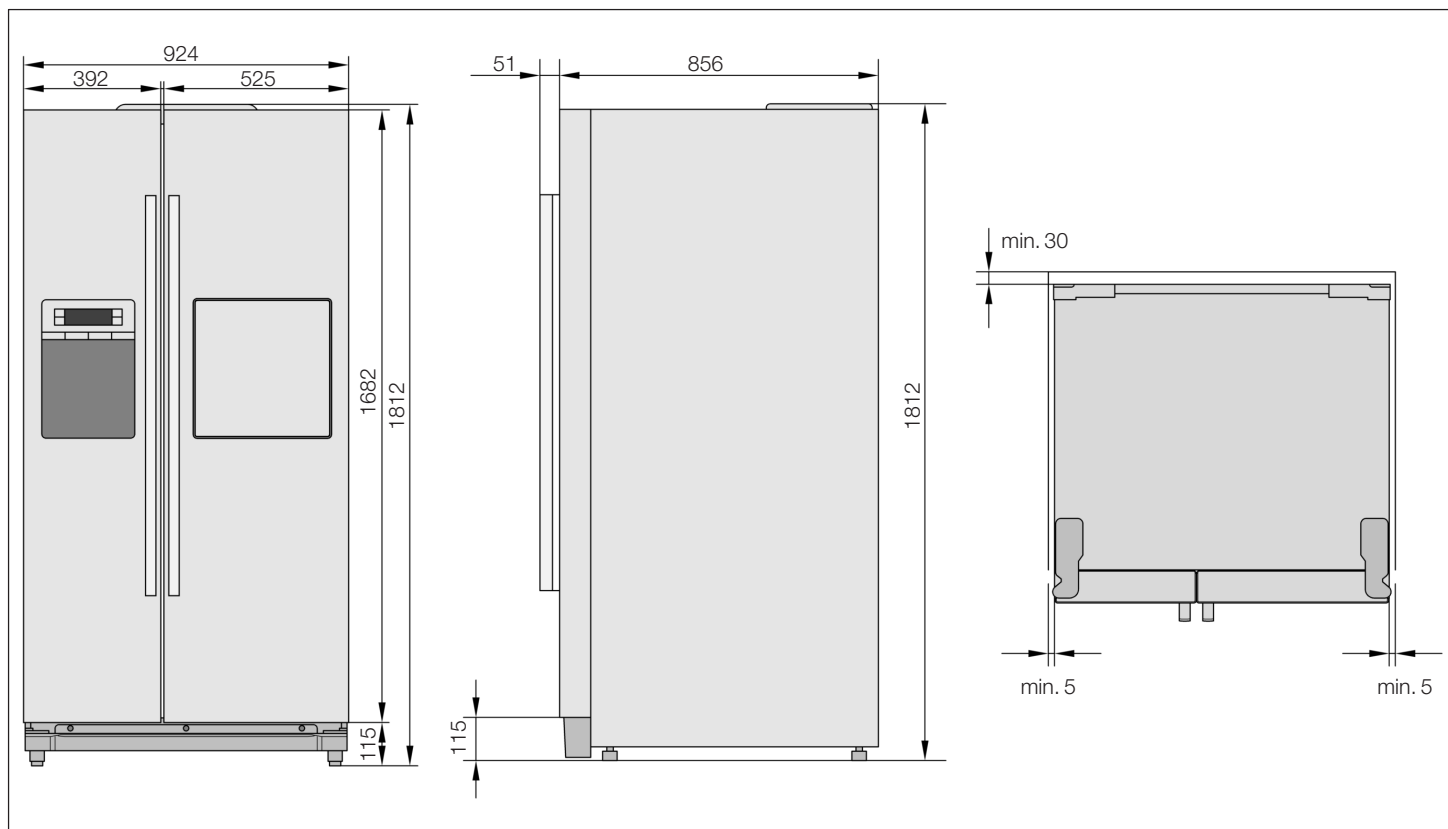
- Remove packaging material and adhesive tape. (Adhesive residue on the housing can be removed with the adhesive side of the removed tape. To do this, repeatedly place the adhesive tape on the adhesive residue and remove).
- Do not remove the transportation protection devices from the shelves and storage compartments until the appliance has been installed.
- After installing the appliance, remove the transportation protection devices from the ice maker. To do this, pull out the ice maker.



Warning:

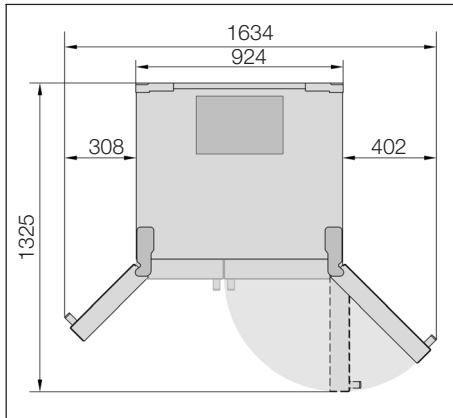
Before connecting the appliance to the power supply, remove all the inner and outer packaging material.

Appliance and installation dimensions



Door opening angle

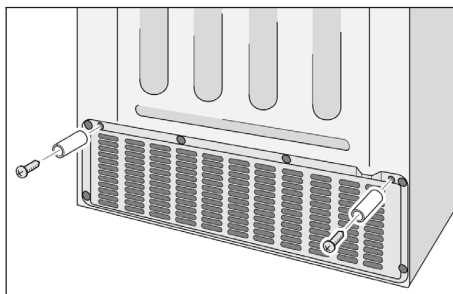
If the depth of the adjacent kitchen equipment is more than 60 cm, observe lateral minimum distances in order to utilise the full door opening angle.



Minimum distance from rear wall

The air heated on the rear side of the appliance must be allowed to escape unhindered.

Place the enclosed spacers in the designated holders on the back of the appliance. This ensures that there is a minimum distance between the appliance and the wall.



Unscrewing the doors

If the appliance will not fit through the house door, the appliance doors can be unscrewed.

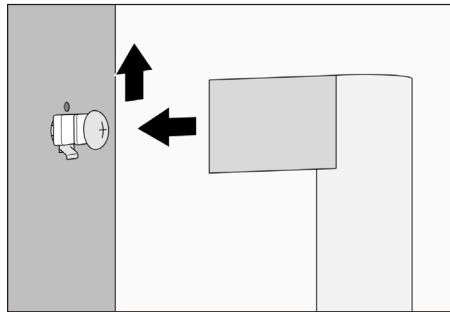
Caution:

Should it be necessary to remove the doors, this must only be carried out by our after-sales service. Your local after-sales service will quote you a price for removing the doors.

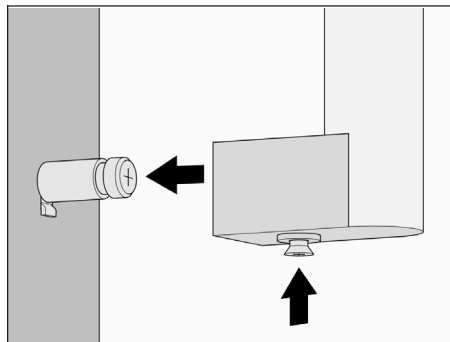
Attaching the handles

Only fit the handles once the appliance is at its installation location and is level.

- Clip the handle into the upper mount.



- Push the handle into the lower mount.



- Tighten the screw.

Connecting the appliance to the water supply

The water may be connected only by a competent fitter according to the local regulations of the appropriate water supply company.

Connect the appliance to a domestic water supply.

- Minimum pressure: 1.0 bar
- Maximum pressure: 8.0 bar

Contact a plumbing company if you are unsure how to check the existing water pressure.

Caution:

If the water pressure is greater than 5.5 bar, a pressure-reducing valve must be fitted. Otherwise, there is a risk of water damage. If the water pressure is below 1.0 bar, the ice-maker will not function.

The tap $\frac{3}{4}$ " for connection of the enclosed water tube should be freely accessible. The enclosed water tubes are 1.5 m and 5 m long.

The appliance must only be connected to a cold-water line.

Taste and odour of the water may be improved by installing the enclosed water filter.

Connection

⚠ Warning

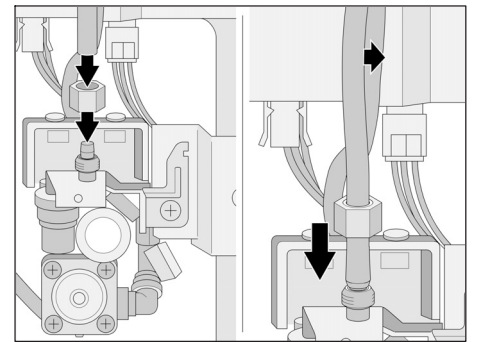
Risk of leaks and water damage.

Observe the following points:

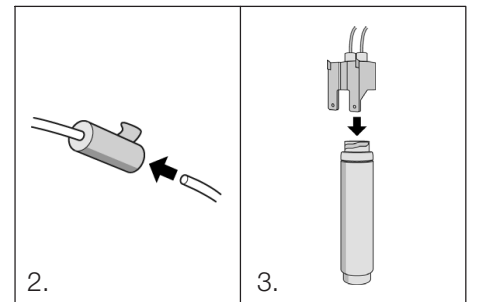
- Do not bend the connecting line.
- Cut the connecting line straight across.
- Do not pinch off the connecting line with pliers.
- Tighten the threaded coupler by hand. Do not use pliers.

- Disassemble the motor compartment cover.

1. Attach the free filter connecting line to the solenoid valve.

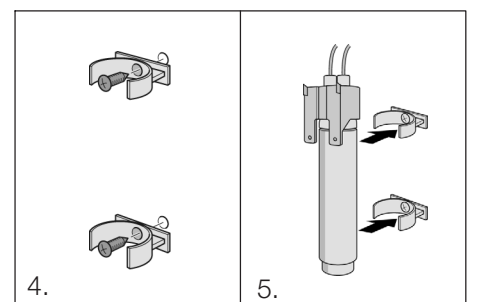


2. Connect the other filter connecting line (with check valve) with one of the supplied water tubes (1.5 m or 5 m).



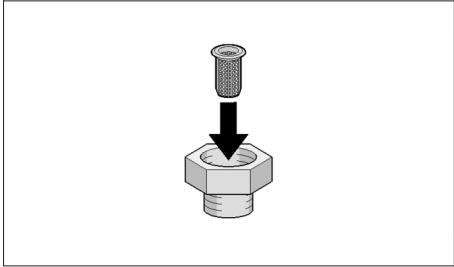
3. After removing the cap from the filter head, connect the water filter with the filter head.

4. Attach the filter holders near to the appliance in a suitable location (e.g. cabinet – never drill or screw into the appliance). The water filter must be easily accessible after the appliance has been installed.



5. Insert the water filter in the filter holders.

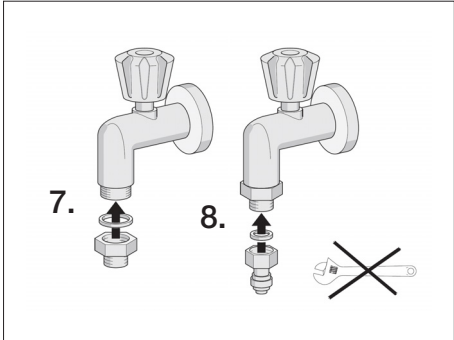
6. Place the filter in the reducer.



Note:

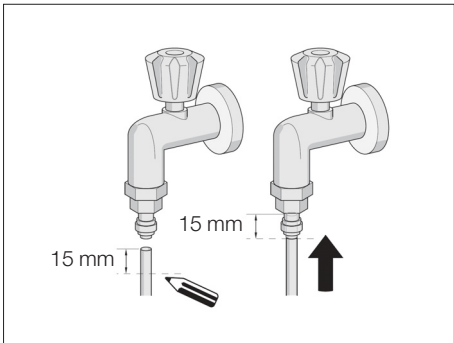
The filter must be cleaned manually. If there are lots of particles in the water, clean the filter more regularly.

7. Screw the reducer onto the tap.



8. Attach the threaded coupler to the tap.

9. Insert the water tube into the threaded coupler as far as it will go.

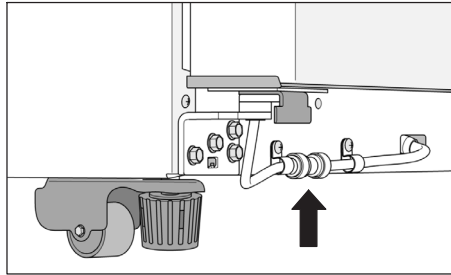


The water tube can be secured to the room wall using the enclosed clamps. **Caution:** You must never drill or screw into the appliance.

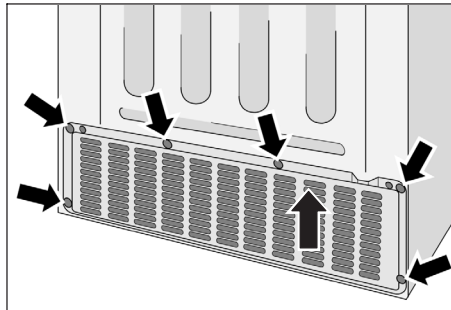
Place the water tube in loops or coils so that the appliance can be moved away from the wall.

Checking the water connection for leaks

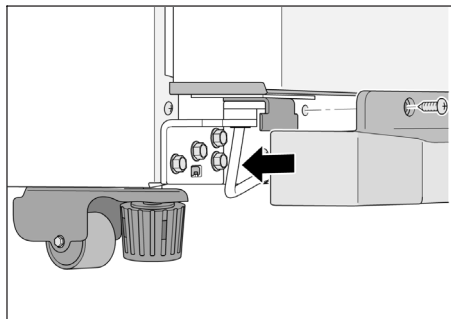
- Connect the appliance according to the enclosed instructions for use.
- Dispense water according to the instructions for use. This will last several seconds as there is still air in the lines and water tank.
- Check all screw-on water connections for leaks on the appliance and on the water connection.
- Check that the plug connection to the doors is sealed properly.



After checking for leaks, pull out the mains plug again and attach the motor compartment cover.



Attach the enclosed base panel with 3 screws.



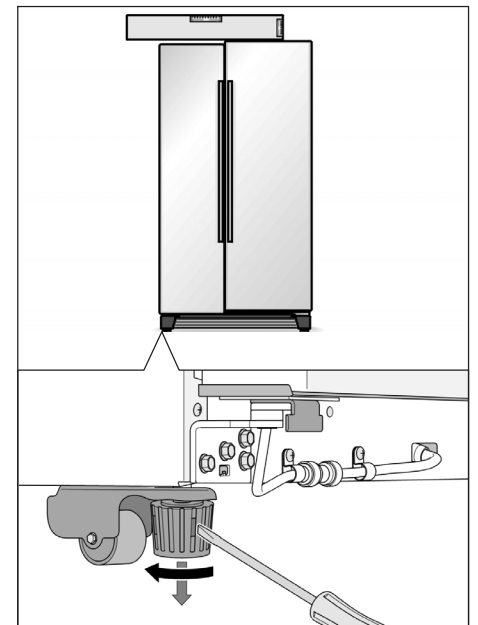
Aligning the appliance

To ensure that the appliance functions correctly, it must be set level with a spirit level.

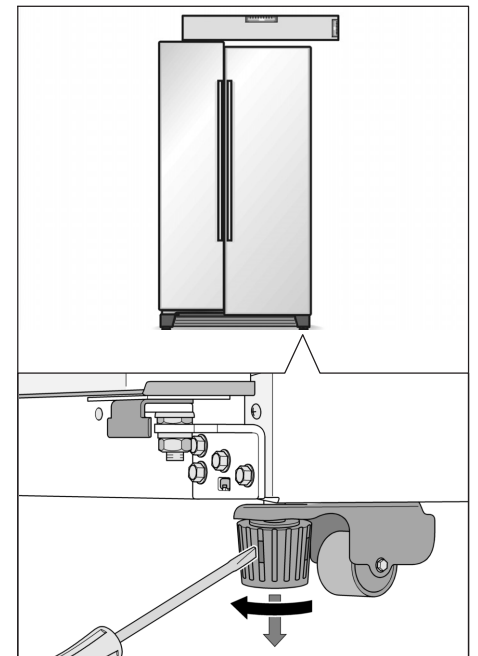
If the appliance is not level, water may flow out of the ice maker, ice cubes may be irregular or the doors may not close properly.

- Place the appliance in the designated location.
- To prevent the appliance from rolling away, screw down the front feet until they are positioned firmly on the floor.
- Rotate the feet until the appliance is aligned exactly. Use the doors as a reference point!

Freezer compartment door is deeper:

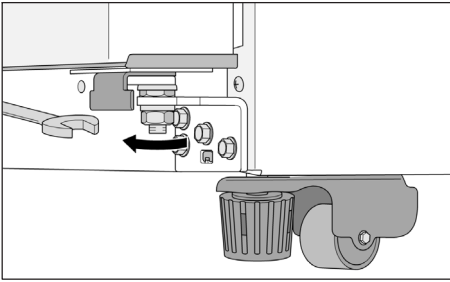


Refrigerator compartment door is deeper:

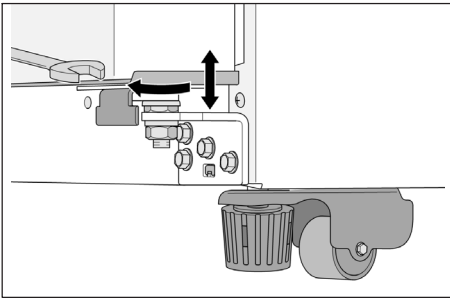


If the previous steps for aligning the door are not adequate:

- Remove the base panel.
- Loosen the nut.

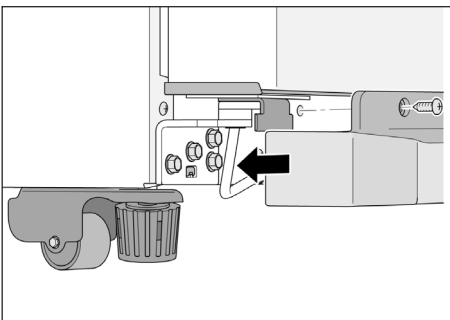


- Place the wrench on the adjusting nut.



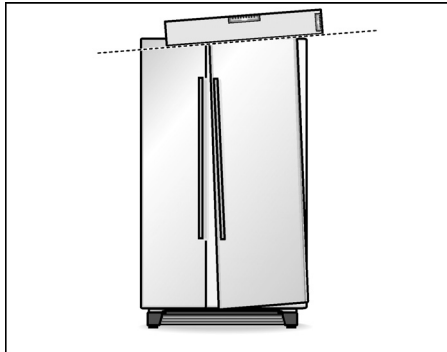
- Freezer compartment door is deeper:
Rotate the wrench anti-clockwise.
- Refrigerator compartment door is deeper:
Rotate the wrench clockwise.

- Tighten the nut.
- Attach the base panel with 3 screws.

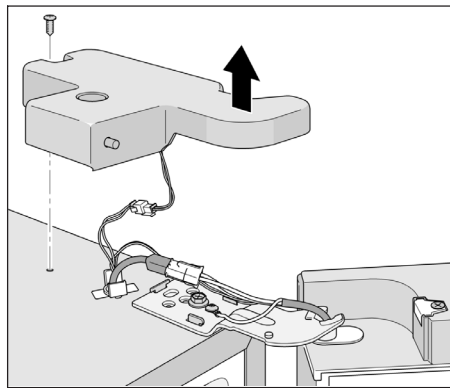


Note:

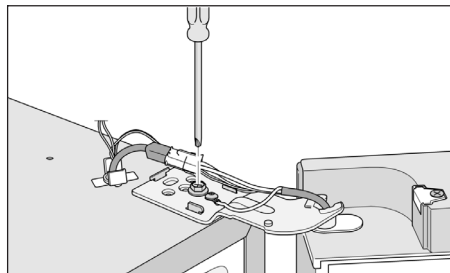
Due to the weight of the appliance and the food load in the door, the refrigerator compartment door may incline, even if the appliance itself is level. The door gap is not the same at the top and bottom.



- Remove the upper hinge cover.



- Loosen hinge screw. **Do not completely unscrew the screw!**



- Adjust the inclination of the refrigerator compartment door.
- Tighten the hinge screw.
- Fix the hinge cover.

Switching on the appliance

Switch on the appliance according to the enclosed instructions for use.

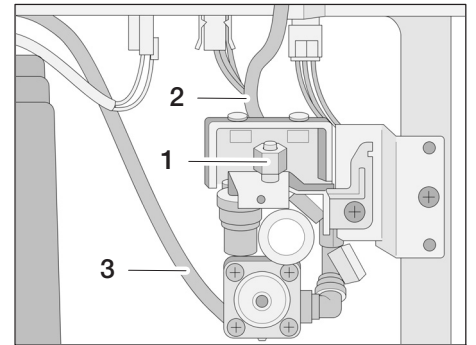
Disconnecting the appliance

Disconnect the appliance according to the enclosed instructions for use.

If the appliance is to be disconnected or stored at temperatures below freezing point, empty the water tank for the drinking water dispenser.

Emptying the water tank in the appliance

- Pull out the mains plug.
- Cut off the water supply to the appliance.
- Remove the motor compartment cover from the rear of the appliance.
- Unscrew the connecting cable (1).
- Place a shallow water-collecting tray (capacity approx. 3 litres) under the connection valve.



- Unscrew, drain and screw back hose (2) and then hose (3) on the appliance connection valve.
Important: Do not mix up the hose connections!
- After draining the water tank, re-attach the motor compartment cover.

Don't turn on the tap until the appliance is switched on again.

روش روشن کردن دستگاه

مطابق دستورالعملهای استفاده، دستگاه را روشن کنید.

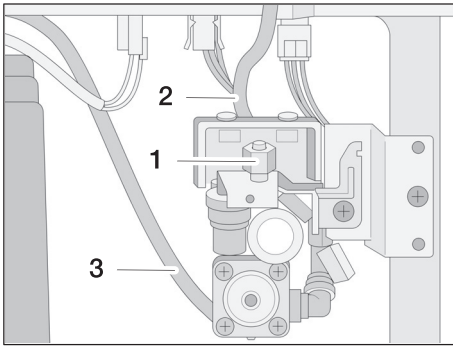
روش قطع اتصال برق دستگاه

مطابق دستورالعملهای استفاده، اتصال دستگاه را قطع کنید.

چنانچه قصد ندارید دستگاه را به برق وصل نموده و یا آن را در محیطی با دمای زیر نقطه انجماد نگاه می دارید، مخزن آب آشامیدنی واقع در قسمت توزیع آب را تخلیه نمایید.

روش تخلیه مخزن آب آشامیدنی دستگاه

- دوشاخه را از پریز برق خارج نمایید.
- جریان آب دستگاه را قطع کنید.
- روکش محافظه موتور واقع در قسمت عقب دستگاه را باز کنید.
- پیچ کابل اتصال (1) را باز کنید.
- یک ظرف گود (با ظرفیت حدود 3 لیتر) را در زیر شیر اتصال قرار دهید تا آب در داخل آن جمع شود.



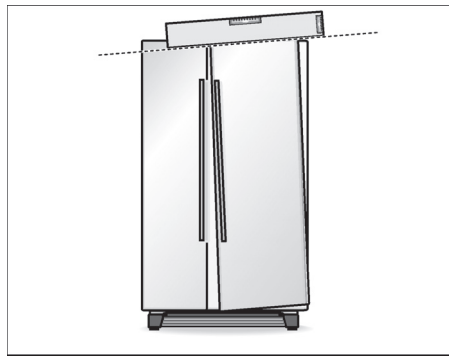
- پیچ مربوط به شیلنگ (2) و سپس شیلنگ (3) قسمت شیر اتصال دستگاه را باز نموده و پس از تخلیه آب داخل آن، مجدداً ببندید.
- مهم: جای اتصال شلنگ ها را با هم اشتباه نکنید!

- پس از تخلیه مخزن آب، مجدداً روکش محافظه موتور را ببندید.

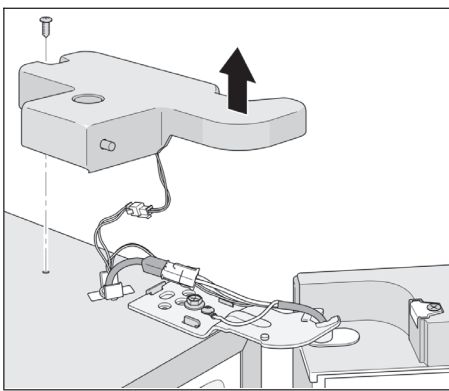
تا وقتی دستگاه دوباره روشن نشده است، شیر آب را باز نکنید.

توجه:

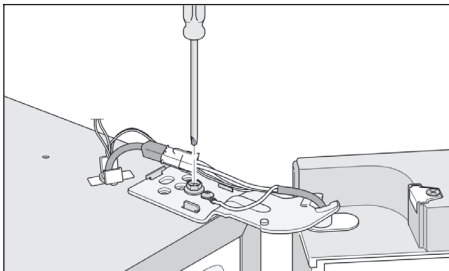
با توجه به وزن دستگاه و همچنین وزن غذاهای چیده شده در داخل درب، ممکن است علیرغم تراز بودن دستگاه، درب آن کمی شیب داشته باشد. فاصله درب در قسمت بالا و پایین یکسان نمی باشد.



- روکش لولای بالایی را بردارید.



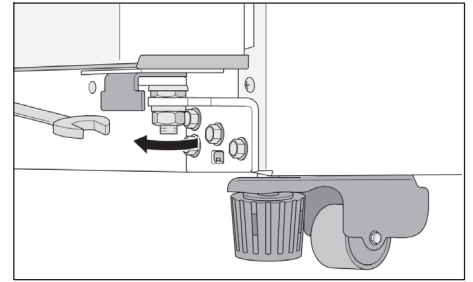
- پیچ لولا را شل کنید. پیچ ها را تا آخر باز نکنید!



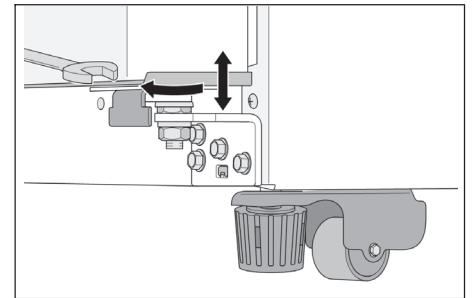
- شیب درب محافظه یخچال را تنظیم کنید.
- پیچ لولا را محکم کنید.
- روکش لولا را در جای خود قرار دهید.

در صورتیکه اقدامات توضیح داده شده جهت تراز دستگاه کافی نبودند:

- صفحه پایه را باز کنید.
- مهره را شل کنید.



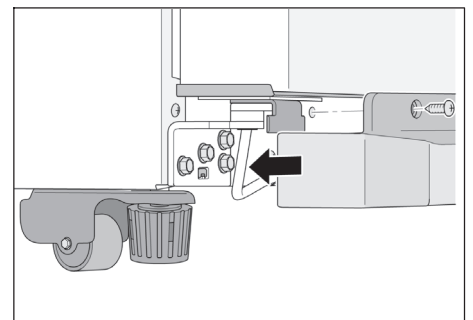
- آچار را بر روی مهره تنظیم قرار دهید.



- درب محافظه فریزر عقب تر از درب یخچال قرار دارد: آچار را در جهت خلاف عقربه های ساعت بچرخانید.
- درب محافظه یخچال عقب تر از درب فریزر قرار دارد: آچار را در جهت عقربه های ساعت بچرخانید.

- مهره را محکم کنید.

- صفحه پایه دستگاه را با استفاده از 3 پیچ آن ببندید.



روش تراز نمودن دستگاه

جهت اطمینان از عملکرد صحیح، می بایست با استفاده از یک تراز حباب دار، دستگاه را تراز کنید.

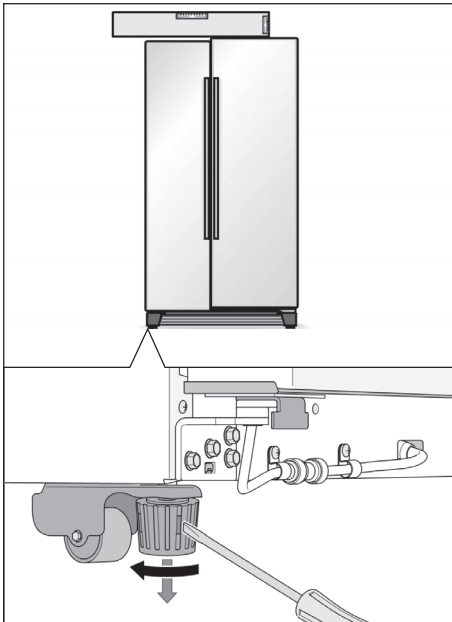
در صورت عدم تراز بودن دستگاه، احتمال جاری شدن آب از قسمت یخ ساز متصور بوده و قالب های یخ نافرمان تشکیل شده و یا درب های یخچال درست بسته نمی شوند.

• دستگاه را در محل مورد نظر قرار دهید.

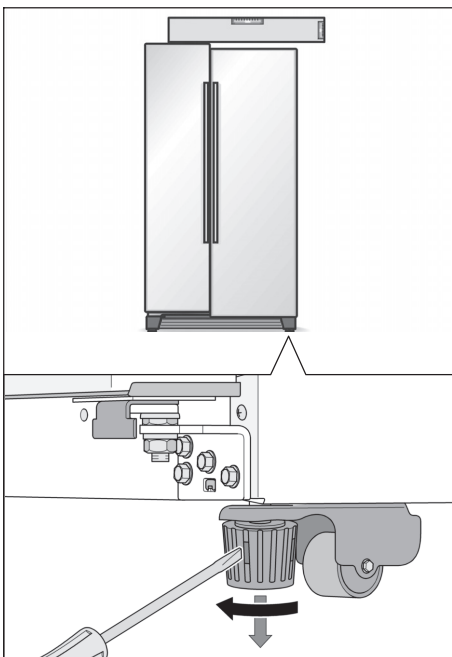
• جهت جلوگیری از حرکت دستگاه به اطراف، پایه های جلو را باز کنید تا کاملاً روی زمین قرار گیرند.

• پایه های دستگاه را تا حدی بیچانید که یخچال کاملاً تراز شود. از درب ها به عنوان معیار تراز بودن یخچال استفاده کنید!

درب محفظه فریزر عقب تر از درب یخچال قرار دارد:



درب محفظه یخچال عقب تر از درب فریزر قرار دارد:



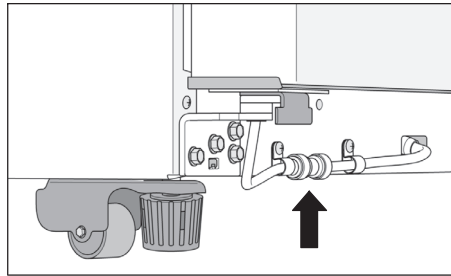
روش چک کردن اتصال آب از لحاظ عدم نشتی

• دستگاه را مطابق دستورالعملهای استفاده به برق وصل کنید.

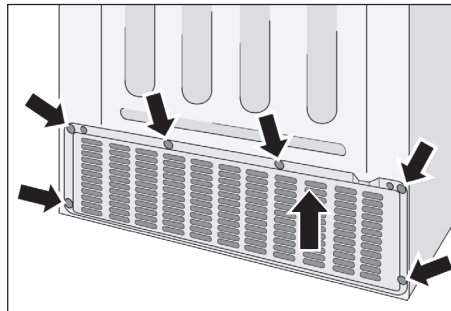
• با توجه به دستورالعملهای استفاده، از دستگاه آب بردارید. بدلیل وجود هوا در لوله ها و مخزن آب، این مرحله چند ثانیه طول خواهد کشید.

• کلیه پیچهای مربوط به اتصالات آب چه بر روی دستگاه و چه بر روی لوله آب را از لحاظ عدم نشتی چک نمایید.

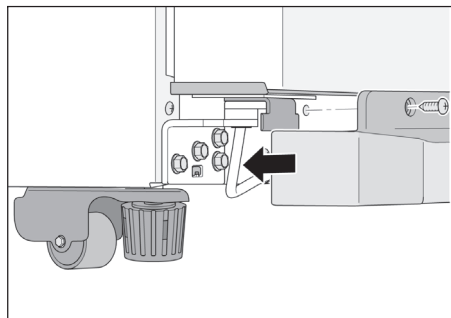
• بررسی کنید اتصال به درها کاملاً آب بندی باشد.



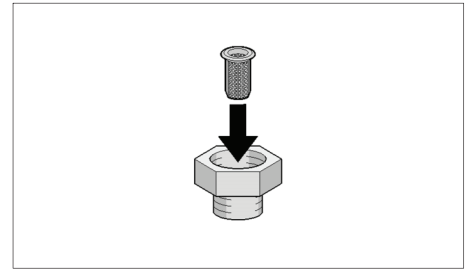
• پس از بررسی عدم نشتی، دوباره دوشاخه اصلی را از پریز جدا نموده و روکش محفظه موتور را نصب نمایید.



• صفحه پایه همراه دستگاه را با استفاده از 3 پیچ آن ببندید.



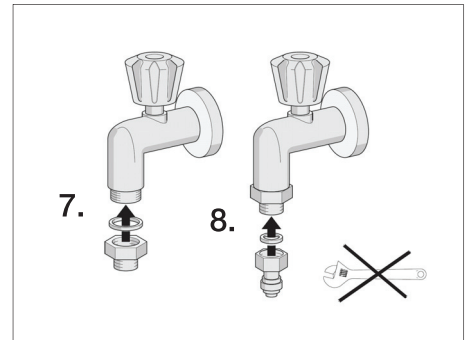
6. صافی را داخل قطعه تبدیل قرار دهید.



توجه:

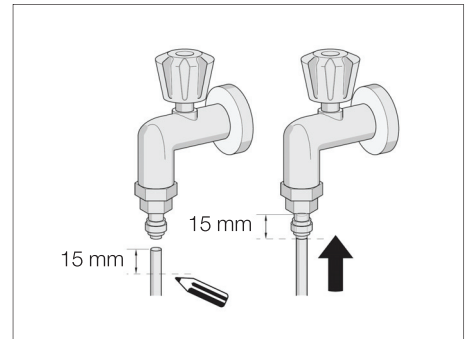
صافی باید به صورت دستی تمیز شود. در صورت وجود رسوب زیاد در آب، تعداد دفعات تمیزکاری فیلتر را بیشتر نمایید.

7. قطعه تبدیل را داخل شیر آب بیچانید.



8. کوپلر را به شیر آب وصل کنید.

9. لوله اتصال را تا حد امکان در داخل کوپلر وارد کنید.

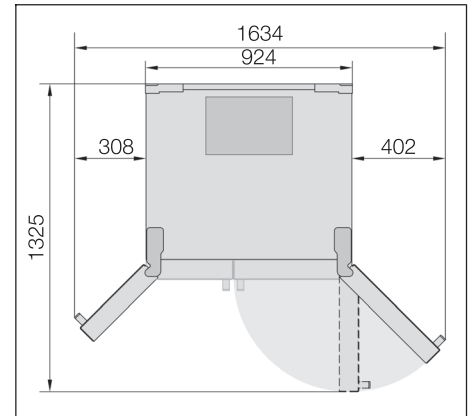


• لوله آب را می توانید با استفاده از گیره های ارائه شده به دیوار محکم کنید.
احتیاط: هرگز بدنه دستگاه را سوراخ نکنید و یا به آن پیچ نزنید.

• لوله را به صورت حلقه شده قرار دهید تا امکان دور کردن دستگاه از دیوار وجود داشته باشد.

زاویه باز شدن درب دستگاه

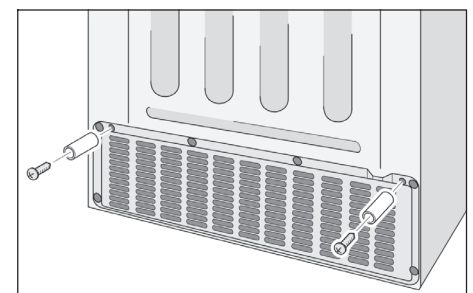
چنانچه عمق وسائل مجاور آشپزخانه بیش از 60 سانتیمتر است، جهت استفاده کامل از زاویه باز شدن درب، حداقل فاصله جانبی را در نظر بگیرید.



حداقل فاصله دستگاه از دیوار عقب

هوای گرم تولید شده در قسمت پشت دستگاه باید بر راحتی تخلیه شود.

فضاگیر های تدارک شده به همراه دستگاه را در داخل نگه دارنده های تعبیه شده در پشت آن قرار دهید. این عمل باعث می شود که حداقل فاصله لازم میان دستگاه و دیوار پشت آن ایجاد شود.



روش باز کردن درب های دستگاه

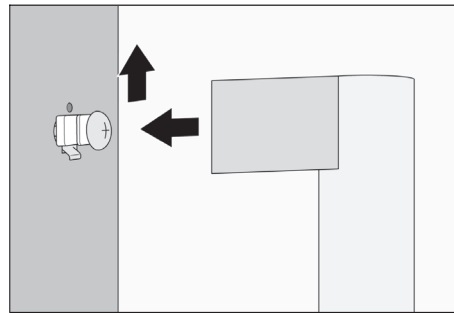
چنانچه دستگاه از میان درب های منزل رد نشود، امکان باز و منفصل کردن درب های آن وجود دارد.

احتیاط:

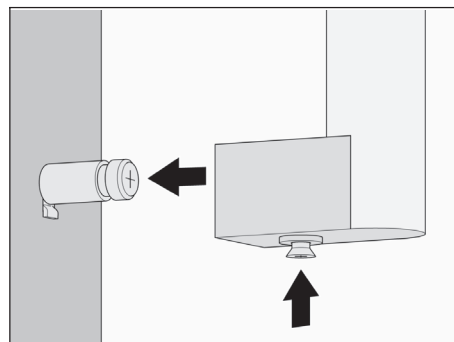
در صورت نیاز به باز کردن درب های دستگاه، این کار می باید توسط واحد خدمات پس از فروش شرکت ما انجام شود. واحد محلی خدمات پس از فروش شرکت، قیمت مورد نظر جهت اجرت باز کردن درب ها را به اطلاع شما خواهند رساند.

روش وصل کردن دسته ها

دسته های دستگاه را فقط زمانی نصب کنید که دستگاه بطور کامل نصب و تراز شده باشد. • دستگاه را در پایه بالایی جا ببندارید.



• دسته در داخل پایه پایینی فشار دهید.



• پیچ را محکم کنید.

روش اتصال دستگاه به سیستم تغذیه آب

اتصال آب باید فقط از طریق یک تکنسین لوله کش مورد تأیید سازمان آب منطقهای و بر پایه ضوابط مربوطه انجام پذیرد. دستگاه را به یک لوله آب منزل متصل کنید.

- حداقل فشار: 1.0 بار

- حداکثر فشار: 8.0 بار

در صورت عدم اطمینان از نحوه چک کردن فشار آب موجود، با یک شرکت تأسیساتی تماس بگیرید.

احتیاط:

در صورتی که فشار آب بالاتر از 5.5 بار باشد، باید یک شیر کاهنده فشار نصب شود. در غیر این صورت، احتمال خرابی ناشی از فشار آب وجود دارد. اگر فشار آب کمتر از 1.0 بار باشد، یخ ساز کار نخواهد کرد.

شیر آب سایز 3/4 اینچ جهت اتصال لوله آب ارائه شده باید کاملاً در دسترس قرار داشته باشد. لولههای ارائه شده دارای طول 1.5 متر و 5 متر هستند.

دستگاه فقط باید به آب سرد متصل شود.

بو و مزه آب با نصب فیلتر آب تدارک شده به همراه دستگاه بهبود می یابد.

روش اتصال

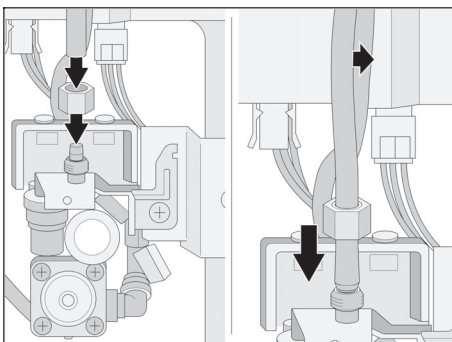
⚠ هشدار

خطر نشستی و خسارت ناشی از آب.

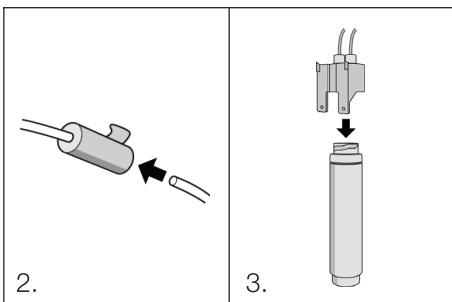
نکات زیر را رعایت کنید:

- از خم کردن لوله اتصال خودداری نمایید.
- لوله اتصال را صاف ببرید.
- از فشار دادن لوله اتصال به وسیله انبر خودداری کنید.
- کوپلر را با دست سفت کنید. از انبر استفاده نکنید.
- روکش محافظه موتور را بردارید.

1. لوله اتصال آزاد فیلتر را به شیر سولنوید وصل نمایید.

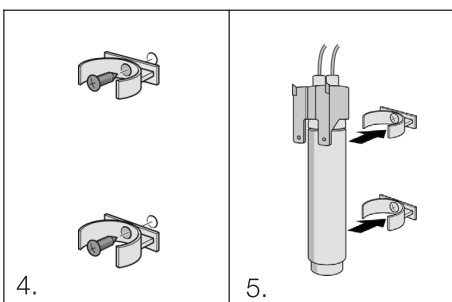


2. لوله اتصال دیگر فیلتر (با سوپاپ یکطرفه) را به یکی از شیلنگها ارائه شده (1.5 متر یا 5 متر) وصل کنید.



3. بعد از برداشتن درپوش از روی سر فیلتر، فیلتر را به سر فیلتر وصل کنید.

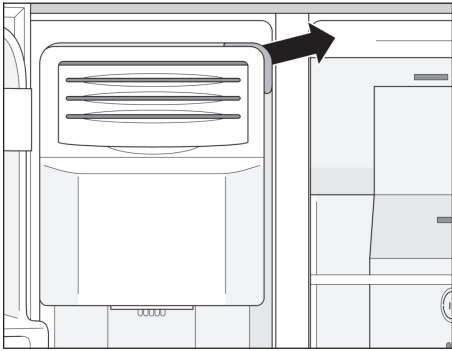
4. نگهدارندههای فیلتر را نزدیک دستگاه در محلی مناسب نصب کنید (برای مثال کابینت - هرگز بدنه دستگاه را سوراخ نکنید و یا در داخل آن پیچ قرار ندهید). پس از نصب دستگاه باید براحتی به فیلتر آب دسترسی داشته باشید.



5. فیلتر را در نگهدارندهها قرار دهید.

روش بیرون آوردن دستگاه از داخل بسته بندی

- مواد بسته بندی و نوار های چسب را از روی دستگاه بردارید. (باقی مانده چسب روی بدنه را می توان با استفاده از طرف چسب دار نوار برداشته شده، برطرف نمود. بدین منظور، چند بار نوار چسب را بر روی قسمت مربوطه چسبانده و بردارید).
- تا هنگام نصب کامل دستگاه، وسایل محافظ حمل و نقل را از طبقات و ظروف داخلی دستگاه جدا نسازید.
- پس از نصب دستگاه، وسایل محافظ حمل و نقل را از دستگاه یخ ساز جدا نمایید. بدین منظور، دستگاه یخ ساز را بیرون بکشید.



هشدار:

قبل از اتصال دستگاه به جریان برق، کلیه اجزای بسته بندی را از داخل و خارج دستگاه جدا نمایید.

محل نصب دستگاه

محل نصب دستگاه را در اتاقی خشک و با تهویه کامل انتخاب نمایید. محل نصب دستگاه نباید در معرض تابش مستقیم نور آفتاب و یا در مجاورت منابع گرما زا (مانند اجاق، رادیاتور و غیره) قرار داشته باشد. در صورتیکه نصب در مجاورت منابع گرما زا، اجتناب ناپذیر باشد، از صفحه های مناسب عایق بندی استفاده کرده و تا حد امکان فاصله مناسب را میان دو دستگاه در نظر بگیرید:

- 3 سانتیمتر تا اجاق برقی.
- 30 سانتیمتر تا اجاق های نفتی و یا دارای سوخت جامد.

در صورت نصب دستگاه در مجاورت یک یخچال یا فریزر دیگر، لازم است یک فاصله حداقل 25 میلیمتری را مابین دو دستگاه در نظر گرفته شود تا از ایجاد حالت میعان جلوگیری بعمل آید.

زمینی که دستگاه روی آن نصب میشود باید سفت و محکم باشد. در صورت لزوم، کف زمین را تقویت نمایید (دستگاه بسیار سنگین است، وزن آن در زمان پر بودن تا 400 کیلو گرم برآورد می گردد). برای تضمین عملکرد صحیح یخ ساز، دستگاه باید به صورت عمود قرار گیرد. بمنظور اطمینان از باز شدن کامل دربها، در هنگام نصب دستگاه در گوشه اتاق و یا فرو رفتگیهای دیوار، حداقل فواصل جانبی را در نظر بگیرید (به بخش «ابعاد دستگاه و محل نصب» مراجعه نمایید).

در حالت نصب یک صفحه و یا کابینت در قسمت بالای دستگاه، می بایست یک فاصله 30 میلیمتری را در نظر بگیرید تا در موقع لزوم بتوانید دستگاه را براحتی بیرون کشیده و دسترسی به پشت آن امکان پذیر باشد.

دستورالعملهای نصب

دستگاه تنها توسط یک تکنسین مجاز و بر اساس دستورالعملهای این دفترچه راهنما، نصب و متصل شود.

همیشه آب دستگاه را قبل از اتصال آن به برق وصل کنید.

شما باید علاوه بر رعایت قوانین و مقررات ملی، شرایط خاص شرکت آب و شرکت تأمین برق را نیز قبل از اتصال دستگاه، مد نظر قرار دهید.

دستورالعملهای نصب را در محلی مطمئن نگهداری کنید.

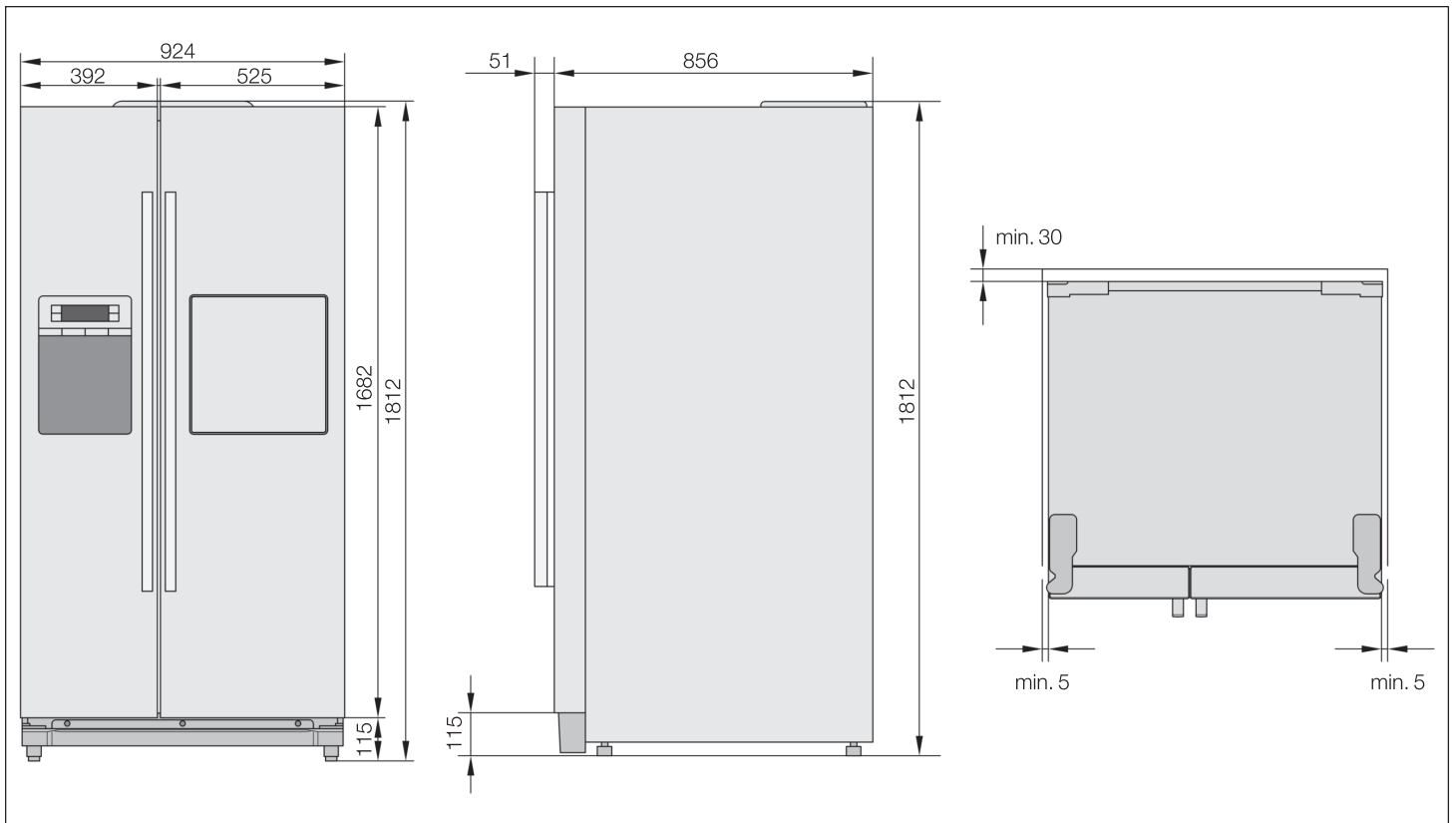
روش حمل و نقل دستگاه

وزن دستگاه سنگین است و باید در حین مراحل حمل و نقل و نصب، آن را محکم ببندید.

مدل دارای توزیع کننده 143 کیلوگرم (وزن در حالت خالی)

با توجه به وزن/ابعاد دستگاه و به جهت کاهش خطر جراحات و آسیب دیدگی دستگاه، حداقل دو نفر لازم است تا آن را بنحو ایمن جابجا و مستقر سازند.

ابعاد دستگاه و محل نصب

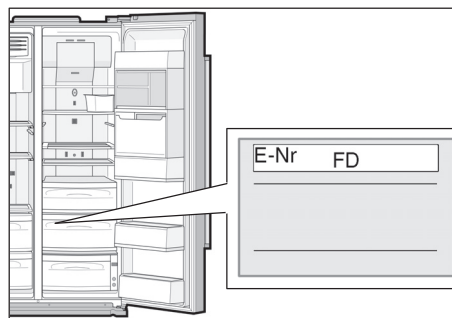


نوع ایراد	علت های احتمالی	راه حل رفع عیب
قالب های یخ خیس هستند.	قالب های یخ آب شده اند - برق قطع شده و یا درب محفظه فریزر بطور کامل بسته نشده است.	ظرف مخصوص نگهداری یخ را خارج کرده و تخلیه نمایید. سپس آن را کاملاً خشک کنید.
قالب های یخ تبخیر شده اند.		جریان هوای سرد بر فراز یخ ها باعث توده شدن آنها شده است. خصوصاً اگر مصرف یخ کم بوده است. این امری عادی بحساب می آید.
دریچه روی قسمت توزیع قالب یخ بطور کامل بسته نمی شود.	وجود قالب های یخ مانع بسته شدن دریچه می گردند.	قالب های یخ را بردارید.
قالب های یخ در قسمت سینی مخصوص قالب های یخ، بهم چسبیده اند.	رسوب مواد آهکی آب ممکن است روی سینی جا بیاندازد.	یک تکه پارچه را به سرکه آغشته کرده و سینی را تمیز کنید. در صورتیکه قطر رسوب ضخیم باشد، همیشه در هنگام تمیز کاری محفظه یخچال، سینی ها را نیز تمیز نمایید.
اندازه قالب های یخ یکسان نبوده و در ظرف مخصوص نگه یخ، آب جمع می شود.	دستگاه تراز نمی باشد.	با استفاده از یک تراز حبابی، دستگاه را تراز نموده و با تنظیم رولر ها و پایه ها، موقعیت آن را تثبیت کنید (به بخش دستورالعمل های نصب مراجعه شود).
قسمت توزیع آب کار نمی کند.	شیر آب بسته است.	شیر آب را باز کنید.
	جریان آب قطع شده است. فشار آب خیلی کم است.	با یک لوله کش مشورت کنید.
	محفظه فریزر بیش از حد گرم است.	دمای محفظه فریزر را کاهش دهید (به بخش «روش تنظیم دما» رجوع شود).

تماس با واحد خدمات مشتریان

اطلاعات تماس نزدیکترین مرکز خدمات پس از فروش به محل زندگی خود را میتوانید در راهنمای تلفن و یا در کتاب راهنمای مراکز خدمات پس از فروش بیابید. لطفاً هنگام تماس با بخش خدمات پس از فروش، شماره محصول (E-Nr.) و شماره تولید (FD) دستگاه را اعلام فرمایید.

این اطلاعات بر روی پلاک مشخصات دستگاه درج شده است.



بمنظور جلوگیری از برقراری تماس های غیر ضروری، لطفاً بخش پشتیبانی خدمات مشتریان را با ارائه شماره های محصول و تولید، یاری فرمایید. این کار هزینه های شما را کاهش خواهد داد.

درخواست تعمیرات یا مشاوره در هنگام بروز مشکل

اطلاعات تماس کلیه مراکز سرویس و خدمات در کشورهای مختلف را در کتابچه سرویس ضمیمه دستگاه خواهید یافت.

”lighting“ (روشنایی)

دستگاه شما مجهز به چراغ ال ای بی دی بدون نیاز به تعمیر، می باشد.

احتیاط!

احتمال بروز آسیب های چشم به لحاظ وجود تشعشع لیزر کلاس 1 ام وجود دارد (آی ای سی 60825)!

از نگاه مستقیم به نور، با استفاده از ابزار اپتیکی، پرهیز فرمایید.

هر گونه کار تعمیراتی بر روی چراغ دستگاه می بایست توسط واحد پشتیبانی خدمات مشتریان و یا متخصصین مجاز، انجام پذیرد.

چراغ داخلی بطور خودکار خاموش می شود

در صورت باز ماندن درب دستگاه به مدت بیش از 10 دقیقه، چراغ داخلی به جهت جلوگیری از افزایش گرما، بطور خودکار خاموش می گردد. این کار باعث صرفه جویی در مصرف برق نیز خواهد شد.

روش برطرف نمودن ایرادات جزئی توسط خودتان

قبل از تماس با بخش پشتیبانی خدمات مشتریان، اقدامات زیر را انجام دهید:

لطفا ابتدا چک کنید که آیا با توجه به اطلاعات زیر قادر به رفع ایراد می باشید. حتی اگر دستگاه هنوز تحت گارانتی باشد، بخش پشتیبانی خدمات مشتریان بابت ارائه راهنمایی، هزینه دریافت می کند!

محفظه های یخچال و فریزر

نوع ایراد	علت های احتمالی	راه حل رفع عیب
دستگاه خنک نمی کند. چراغ داخل یخچال کار نمی کند.	قطع برق؛ فیوز برق قطع شده است؛ دوشاخه دستگاه بطرز صحیح در داخل پریز برق قرار نگرفته است.	چک کنید که آیا جریان برق وصل است، فیوز برق می بایست در وضعیت روشن باشد.
واحد خنک ساز دستگاه بیش از حد معمول روشن میگردد و طول زمان کارکرد آن نیز طولانی تر است.	درب دستگاه بطور مکرر باز شده است. حجم زیادی از غذا برای فریز شدن در داخل فریزر قرار داده شده است.	از باز کردن غیر ضروری درب دستگاه خودداری کنید. حداکثر ظرفیت فریزر را رعایت کنید.
دمای هوای داخل محفظه های یخچال و یا فریزر بیش از حد سرد است.	سوراخ های تهویه هوا مسدود شده اند. تنظیم دما بر روی حالت بسیار کم انجام شده است.	موانع گردش هوا را برطرف کنید. یک دمای گرمتر را انتخاب کنید (به بخش «روش تنظیم دما» رجوع شود).
غذاهای فریز شده بهم چسبیده و محکم شده اند.		با استفاده از یک جسم غیر تیز، اقلام غذایی را از هم جدا سازید. بدین منظور از چاقو و لوازم نوک تیز استفاده ننمایید.
لایه ای ضخیم از برفک در داخل محفظه فریزر شکل گرفته است.		همیشه از بسته بودن درب محفظه دستگاه اطمینان حاصل نمایید.
چراغ داخل یخچال کار نمی کند.	چراغ دستگاه خراب است. کلید چراغ گیر کرده است.	به بخش «روشنایی دستگاه» مراجعه فرمایید. بررسی کنید آیا کلید چراغ میتواند حرکت کند.
محفظه فریزر به دمای تنظیم شده نمی رسد.	درب محفظه فریزر به مدت طولانی باز مانده است. قسمت تبخیر دستگاه (ژنراتور خنک ساز) چنان با لایه ضخیم برفک پوشانده شده که سیستم خودکار ذوب یخ دیگر قادر به از بین بردن این حجم برفک و یخ نمی باشد.	اغذیه فریز شده را از داخل دستگاه خارج کرده، کاملاً با پوشش عایق بندی کرده و در یک محل خنک قرار دهید. پس از گذشت حدود 12 ساعت یخ سیستم خنک ساز ذوب خواهد گردید. مجدداً دستگاه را روشن نموده و اغذیه فریز شده را به سر جای خود برگردانید. توجه: بمنظور جلوگیری از هدر رفتن خنکی، درب یخچال را بدون جهت باز ننمایید.. چنانچه با اجرای مراحل فوق، ایراد برطرف نگردد، لطفاً با بخش پشتیبانی خدمات مشتریان تماس حاصل بفرمایید.

محل توزیع آب و یخ

نوع ایراد	علت های احتمالی	راه حل رفع عیب
علیرغم زمان طولانی کارکرد دستگاه، قالب های یخ توزیع نمی شوند.	شیر آب بسته است. جریان آب قطع شده است. فشار آب خیلی کم است.	شیر آب را باز کنید. با یک لوله کش مشورت کنید.
	عملکرد قفل دکمه فعال شده است. دستگاه یخ ساز خاموش شده است.	عملکرد قفل دکمه را غیر فعال نمایید. دستگاه یخ ساز را مجدداً فعال کنید.
	محفظه فریزر بیش از حد گرم است. قالب های یخ بهم چسبیده اند.	دمای محفظه فریزر را کاهش دهید (به بخش «روش تنظیم دما» رجوع شود). ظرف مخصوص نگهداری یخ را خارج کرده و تخلیه نمایید.
قالب های یخ در ظرف مخصوص نگهداری یخ موجود است، ولی توزیع نمی گردد.		ظرف مخصوص نگهداری یخ را خارج نموده و پیچ قسمت انتقال دهنده را با دست بپیچانید. قطعات بزرگ یخ را با یک یخ شکن چوبی، شکسته و جدا سازید.
قالب های یخ در خروجی ظرف مخصوص نگهداری یخ و یا در قسمت خرد کننده یخ، انباشته شده اند.		

روش های صرفه جویی در مصرف برق

- محل نصب و استقرار دستگاه را اتاقی خنک و دارای تهویه مناسب هوا انتخاب نمایید. بهر حال دستگاه نباید در معرض تابش نور مستقیم آفتاب و یا در مجاورت منابع گرمازا (مانند شوفاژ، اجاق و غیره) قرار داده شود. در صورت لزوم، از یک صفحه عایق گرما استفاده شود.
- اجازه دهید غذا و نوشیدنیهای گرم پیش از قرار گرفتن در یخچال خنک شوند!
- مواد غذایی منجمد را برای یخ زدایی داخل یخچال قرار دهید. دمای پایین فرآوردههای یخ زده غذای درون یخچال را خنک میکند.
- زمان باز و بسته کردن درب یخچال را تا حد امکان کوتاه کنید.
- قسمت پشت دستگاه را گهگاه تمیز تا از افزایش مصرف برق جلوگیری شود.
- نحوه قرارگیری تجهیزات، بر میزان مصرف انرژی دستگاه تأثیری ندارد.

صداهای دستگاه در حین کارکرد

صداهای عادی

صداي هممه مانند - واحد خنک ساز دستگاه در حال کار می باشد. فن سیستم گردش هوا در حال کار است.

صداهاي مانند قلقل، شرشر و يا غر غر - ماده خنک ساز در حال گردش در سیستم لوله های مربوطه می باشد. آب به داخل دستگاه یخ ساز جاری می شود.

صداي کلیک - موتور در حال خاموش یا روشن شدن است. شیر سلونوئید دار واقع در قسمت اتصال آب، در حال باز و بسته شدن است.

صداي کشیده و دنباله دار - قالب های آماده شده یخ در حال افتادن به داخل ظرف مخصوص نگهداری یخ می باشند.

صداهايي که براحتی قابل برطرف کردن می باشند

دستگاه تراز نمی باشد

لطفاً با استفاده از یک تراز حباب دار، سطح استقرار یخچال را تراز کنید. بدین منظور از پایه های قابل تنظیم دستگاه استفاده نموده و یا زیر پایه های دستگاه، چیزی قرار دهید.

یخچال در تماس با دستگاه های مجاور خود قرار گرفته است

یخچال را تکان داده و از تماس آن با دستگاه های مجاور جلوگیری بعمل آورید.

کشوها، سبدها و یا ظروف داخلی دستگاه در جای خود قرار نگرفته و یا به هم چسبیده اند

لطفاً اجزای قابل حرکت را بررسی نموده و در صورت لزوم، مجدداً جایگذاری نمایید.

ظروف داخل یخچال در تماس با هم هستند

بطری ها و یا ظروف را از هم جدا سازید.

ذوب یخ و برفک

مرحله ذوب یخ و برفک بصورت خودکار فعال می شود.

آب حاصله از مرحله ذوب یخ و برفک به سینی تبخیر صفحه پشت یخچال انتقال یافته و در آنجا بصورت خودکار تبخیر می گردد.

روش تمیز کاری دستگاه

- **توجه:** دوشاخه دستگاه را از پریز خارج کرده و یا فیوز برق را قطع کنید!
- نوار دور درب را فقط با آب تمیز نموده و سپس کاملاً خشک کنید.
- دستگاه را با آب ولرم تمیز نمایید. آب نباید بر روی نوار و چراغ دستگاه ریخته شود.
- از مواد تمیزکننده یا حلالهای حاوی مواد ساینده، اسیدی یا کلر استفاده نکنید.
- طبقات شیشه‌های سرد را مستقیماً از محفظه یخچال داخل آب داغ قرار ندهید.
- هرگز طبقات و محفظه‌ها را داخل ماشین ظرفشویی تمیز نکنید. ممکن است برخی قسمتها تغییر حالت دهند.
- بعد از تمیزکاری: دوشاخه دستگاه را در داخل پریز برق قرار داده و یا فیوز برق را وصل کنید.

⚠ هشدار

هرگز غذاهای فریز شده را با دستان خیس لمس نکنید. امکان چسبندگی دستان شما به غذاها وجود دارد. خطر بروز جراحت!

هرگز از بخار شو جهت تمیزکاری دستگاه استفاده ننمایید. این احتمال وجود دارد که بخار با قسمت های برقی تماس پیدا نموده و باعث اتصالی برق و یا برق گرفتگی افراد گردد. امکان خرابی اجزای پلاستیکی در اثر تماس با بخار وجود دارد.

برگه کارایی محصول

مدل 9000 7775078

فقط از کارتریج 9000 674655 استفاده شود.

غلظت مواد مشخص شده در آب ورودی به سیستم، برای آب خروجی از دستگاه به مقدار کمتر یا مساوی حد مجاز تعیین شده در استانداردهای NSF/ANSI 42 و 53 تقلیل داده شده است.

انطباق این سیستم با استانداردهای NSF/ANSI 42 و 53 توسط NSF International بررسی شده است؛ این بررسی براساس برگه کارایی صورت گرفته و توانایی آن در کاهش غلظت مواد مشخص شده در آن به تأیید رسیده است.



ظرفیت 739,68 گالون (2.800 لیتر)

کاهش آلاینده‌ها - تست شده توسط NSF

کاهش آلاینده‌ها	میانگین ورودی	غلظت آزمایشی تعیین شده توسط NSF	میانگین کاهش	غلظت میانگین در آب فیلتر شده	حداکثر غلظت مجاز در آب فیلتر شده	کاهش تعیین شده توسط NSF	گزارش تست NSF
مزه و بوی کلر	2,1 mg/l	$\pm 2,0 \text{ mg/l}$ % 10	% 97,6	0,05 mg/l	نامشخص	$\leq 50 \%$	J-00121313
مقدار اسمی ذرات کلاس ۱، $0,5 \leq \mu\text{m} < 1,0$	9.100.000 ml/ذره	حداقل 10.000 ml/ذره	% 98,8	111.817 ml/ذره	نامشخص	$\leq 85 \%$	J-00099871
کیست‌ها*	170.00 کیست/ل	حداقل 50.000 کیست/ل	% 99,99	0,001 کیست/ل	نامشخص	$\leq 99,95 \%$	J-00109715
کدوری	NTU 11	NTU 1 ± 11	% 98,1	NTU $1 >$	NTU 0,5	$\leq 95,5 \%$	J-00099885

* بر پایه استفاده از اوسیسست کریپتوسپورییدیوم پارووم

توجه

برای کاهش خسارت‌های ناشی از نشت آب:

- **بخوانید و دنبال کنید.** قبل از نصب و استفاده از سیستم، دستورالعمل‌ها را مطالعه کنید.
- نصب و استفاده باید مطابق با قوانین لوله‌کشی محلی صورت گیرد.
- در صورتی که فشار آب بالاتر از 120 psi (827 kPa) است، نصب را انجام ندهید. اگر فشار آب بالاتر از 80 psi است، باید یک شیر فشارشکن نصب کنید. در صورتی که نمی‌دانید فشار فعلی آب چگونه باید بررسی شود، با یک لوله‌کش تماس بگیرید.
- در صورت احتمال وقوع ضربه قوچی، نصب را انجام ندهید. در صورتی که ضربه قوچی وجود دارد، لازم است تجهیزات مقابله با ضربه قوچی نصب شود. در صورت وجود هر گونه تردید، با یک مؤسسه لوله‌کشی حرفه‌ای تماس بگیرید.
- نصب را بر روی لوله‌های آب گرم انجام ندهید. حداکثر دمای کاری فیلتر 100°F (38°C) است.
- فیلتر را در برابر یخ‌زدگی محافظت کنید. در صورت کاهش دما به زیر 33°F ($0,6^\circ\text{C}$)، فیلتر را تخلیه کنید.
- در شرایط استفاده معمولی یا در صورت کاهش قابل ملاحظه جریان، کارتریج فیلتر باید هر 6 ماه یکبار تعویض شود.

دستور استفاده / پارامترهای تأمین آب

سرعت جریان	0,75 gpm (2,83 lpm)
تأمین آب	آب آشامیدنی
فشار آب	30 - 120 psi (207 - 827 kPa)
دمای آب	$0,6^\circ\text{C} - 38^\circ\text{C}$ ($33^\circ\text{F} - 100^\circ\text{F}$)

برای دستیابی به کارایی توصیف شده محصول، لازم است کلیه دستورات مربوط به عملکرد، نگهداری و تعویض فیلترها رعایت شود. لطفاً اطلاعات مربوط به گارانتی را در دفترچه راهنما مطالعه نمایید. **تذکر:** تست‌ها در شرایط استاندارد آزمایشگاه انجام شده‌اند. کارایی واقعی ممکن است متفاوت باشد.

کارتریج تعویضی: 9000 674655. اطلاعات بیشتر در زمینه قیمت قطعات یدکی را می‌توانید از مرکز خرید خود دریافت کنید یا با شماره 1-800-578-6890 تماس بگیرید.

هشدار

برای کاهش خطرات ناشی از بلعیدن مواد آلاینده:

- از آبی که به لحاظ میکروبیولوژیک مطمئن نیست یا در مورد کیفیت آن تردید دارید، بدون نصب تجهیزات ضدعفونی مناسب در قبل یا بعد از سیستم، استفاده نکنید. برای ضدعفونی کردن آب‌های حاوی کیست‌های قابل فیلتر شدن، لازم است از سیستم‌های تأیید شده کاهش کیست استفاده شود.

EPA Establishment Number 10350-MN-005

ساخته شده توسط:

3M Purification Inc.
400 Research Parkway
Meriden, Ct 06450
USA
Tel. (800) 222-7880
(203) 237-5541

3M یک علامت تجاری ثبت شده از سوی شرکت 3M Company است که تحت لیسانس مورد استفاده می‌گیرد.

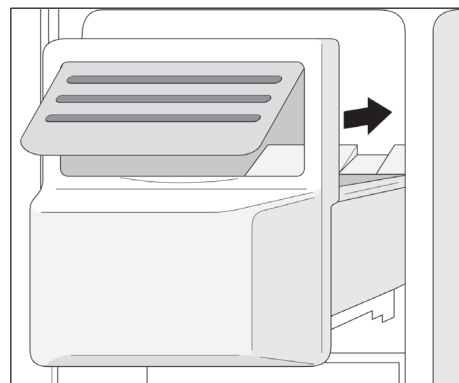
NSF علامت ثبت شده شرکت NSF International است.

© 2013 3M Company. کلیه حقوق محفوظ است..

روش جایگذاری مجدد ظرف

مخصوص نگهداری قالب های یخ

- تا هنگام جا افتادن کامل، ظرف را به سمت داخل دستگاه فشار دهید.



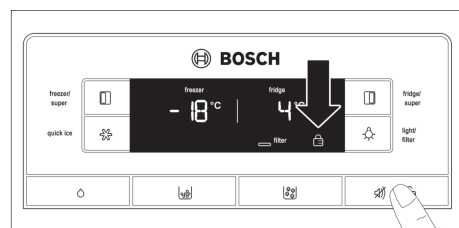
- در صورتی که ظرف نمیتواند به طور کامل در جای خود قرار گیرد، پیچ قسمت انتقال دهنده را ببیچانید.

در این حالت، تولید قالب های یخ ادامه خواهد یافت.

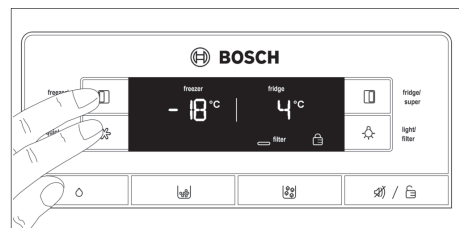
روش قطع اتصال دستگاه تولید قالب یخ

چنانچه برای مدت بیش از 1 یک هفته نیاز به قالب یخ ندارید (مثلا زمان تعطیلات)، میتوانید دستگاه تولید قالب یخ را بطور موقت قطع نمایید تا از چسبیدگی قالبهای یخ جلوگیری شود.

- دکمه «قفل/آلارم» را فشار دهید، در این حالت نشانه «قفل دکمه» ظاهر میگردد.



- دکمههای "freezer/super" (انجماد سریع) و "quick ice" (یخ سازی سریع) را با هم و به مدت 5 ثانیه فشار داده و نگه دارید تا صدای آلارم هشدار به صدا در آید.



- ظرف مخصوص نگهداری قالبهای یخ را بیرون آورده و پس از تخلیه، مجدداً جایگذاری نمایید. مطمئن شوید ظرف مخصوص نگهداری یخ در نگه دارنده خود جا افتاده باشد.

توجه:

دکمه های توزیع قالب یخ و یخ خرد شده کار نمی کنند؛ در صورت فشار دادن این دکمه ها، یک صدای آلارم هشدار دهنده پخش می شود.

مجدداً دستگاه تولید قالب یخ را روشن کنید:

- دکمه «قفل/آلارم» را فشار دهید، در این حالت نشانه «قفل دکمه» ظاهر میگردد.
- دکمههای "freezer/super" (انجماد سریع) و "quick ice" (یخ سازی سریع) را با هم و به مدت 5 ثانیه فشار داده و نگه دارید تا صدای آلارم هشدار به صدا در آید.

فیلتر آب

⚠ هشدار

در مناطقی که کیفیت آب آشامیدنی آن ناشناخته و یا مشکوک می باشد، دستگاه را بدون انجام فرآیند ضد عفونی کردن آب، چه قبل یا بعد از انجام مرحله فیلتر کردن، مورد استفاده قرار ندهید.

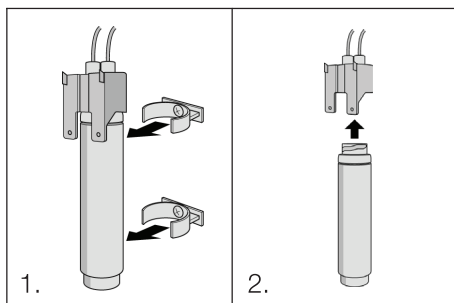
در صورت نیاز به فیلتر جدید، آن را از بخش خدمات پس از فروش خریداری نمایید.

حداقل هر شش ماه یکبار و یا در نهایت، زمانی که موعد آن روی نمایشگر نشان داده شد، فیلتر را تعویض نمایید.

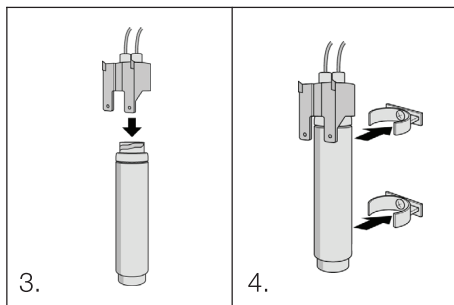
روش تعویض فیلتر

احتیاط: دوشاخه دستگاه را از پریز برق خارج نموده و یا فیوز برق را قطع نمایید.

- جریان آب دستگاه را قطع کنید.
- فیلتر کارکرده را از نگه دارندهها خارج کنید (1).



- سر فیلتر را از فیلتر کارکرده جدا کنید (2).
- لوله های اتصال را رها نکنید! آب باقیمانده در داخل دستگاه و لوله ها ممکن است جاری شود.
- سر فیلتر را به فیلتر جدید وصل کنید (3).



- فیلتر را در نگهدارندهها قرار دهید (4).

اطلاعاتی در خصوص فیلتر آب

- فشار داخل سیستم آب، بعد از استفاده پایین است. در هنگام خارج کردن فیلتر، به نکات احتیاطی توجه داشته باشید.

- در صورت عدم استفاده از دستگاه به مدت طولانی و همچنین در مواقعی که طعم و بوی یخ/آب تغییر کرده و نامطبوع است، سیستم آب دستگاه را با فشار آب تمیز نمایید. بدین منظور، به مدت چندین دقیقه، از سیستم آب دستگاه و از قسمت توزیع آن، آب دریافت کنید. در صورت باقی ماندن طعم و یا بوی نامطبوع آب، نسبت به تعویض فیلتر اقدام نمایید.

- محافظت فیلتر از یخ زده گی. در صورت اینکه احتمال کاهش دما به زیر نقطه انجماد را می دهید، کارتریج فیلتر را از داخل دستگاه خارج نمایید.

- در صورتی که فشار آب بیش از 8.0 بار است، فیلتر آب را نصب نکنید.

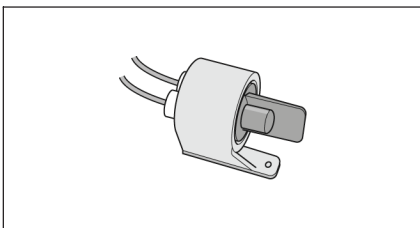
- در صورتی که فشار آب بالاتر از 5.5 بار باشد، باید یک شیر کاهنده فشار نصب شود. چنانچه از میزان فشار آب آگاهی ندارید، با یک متخصص مشورت نمایید.

- در صورتی که احتمال وجود نوسان شدید فشار در لوله آب را می دهید، از نصب فیلتر بدون بکار گیری یک فشار شکن مناسب، خودداری فرمایید. در صورت عدم اطمینان از نحوه شکل گیری نوسان شدید در سیستم لوله کشی، با یک متخصص نصب مشورت کنید.

- مراحل بعد از نصب فیلتر جدید: یخ های تولید شده در 24 ساعت اول پس از روشن شدن دستگاه را دور بریزید.

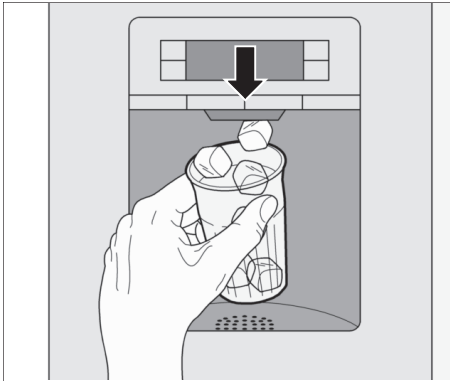
- چنانچه هیچ یخی برای مدت طولانی برداشت نشده باشد: ظرف مخصوص نگهداری یخ را خالی نموده و تمام یخ های تولید شده در 24 ساعت اول را نیز دور بریزید.

- یخ ساز و آب سردکن میتوانند بدون فیلتر آب نیز مورد استفاده قرار گیرند، در این صورت، از درپوش مسدودکننده استفاده کنید.



روش توزیع یخ

1. یک ظرف مناسب را در قسمت زیر محل توزیع آب و یخ دستگاه بگیرید.
2. دکمه قسمت توزیع قالب یخ و یا یخ خرد شده را فشار داده و تا هنگام دریافت مقدار مورد نیاز یخ، آن را نگه دارید.

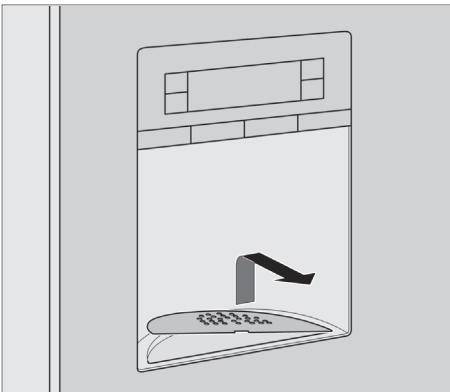


توجه:

- دکمه را فقط تا زمانی نگه دارید که نصف ظرف از یخ پر شود. یخ موجود در قسمت تخلیه ممکن است ظرف را بیش از حد پر نموده و یا باعث انسداد سوراخ تخلیه گردد.
- در هنگام تغییر وضعیت از حالت قالب یخ به حالت یخ خرد شده، ممکن است هنوز قطعات قالب یخ در مسیر قسمت تخلیه، موجود باشند. این قالب ها با اولین قسمت یخ خرد شده تخلیه می گردند.

روش برداشتن و تمیزکاری سینی دریافت آب

آب های ترشح شده از محل توزیع آب و یخ، در سینی دریافت آب جمع می شوند. شما می توانید با بیرون آوردن سینی دریافت آب، آن را تخلیه و تمیز نمایید.



روش برداشتن و تمیزکاری ظرف مخصوص نگهداری قالب های یخ

چنانچه برای مدتی طولانی از یخهای تولید شده استفاده نکنید، این قالب ها آب رفته، طعم ماندگی گرفته و به یکدیگر می چسبند.

- ظرف مخصوص نگه داری قالب های یخ را بیرون آورده و پس از تخلیه، با آب ولرم بشویید.
- ظرف را کاملاً خشک نموده و آنگاه به جهت جلوگیری از بهم چسبیدن قالب های یخ، پیچ قسمت انتقال دهنده را بپیچانید.

در حین مرحله تولید یخ، صداهای باز و بسته شدن شیر آب داخلی، جریان آب به داخل سینی ساخت یخ و افتادن قالب ها در ظرف مخصوص نگهداری، شنیده می شوند.

کیفیت آب آشامیدنی

کلیه مواد استفاده شده در قسمت توزیع آشامیدنی، از نوع بدون بو و طعم می باشند.

در صورت طعم دار بودن آب، علت آن میتواند موارد زیر باشد:

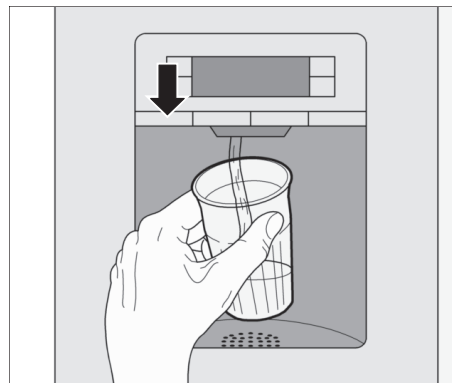
- مواد معدنی و کلر داخل آب آشامیدنی.
- مواد داخل لوله کشی ساختمان و اتصالات آن.
- تازگی آب آشامیدنی (در صورتی که برای مدت زمان طولانی آب از دستگاه دریافت نشود، ممکن است طعم «ماندگی» بخود بگیرد. در این صورت، حدود 15 لیوان آب از دستگاه گرفته و دور بریزید).

بو و مزه آب با نصب فیلتر آب تدارک شده بهمراه دستگاه بهبود می یابد.

فیلتر آب ارائه شده بهمراه دستگاه فقط قابلیت تصفیه ذرات ریز داخل آب را دارد ولی در خصوص باکتری و میکروب کارساز نیست.

روش توزیع آب آشامیدنی

1. یک ظرف مناسب را در قسمت زیر محل توزیع آب و یخ دستگاه بگیرید.
2. دکمه قسمت توزیع را فشار داده و تا هنگام دریافت مقدار مورد نیاز آب، آن را نگه دارید.



نکته:

دمای آب خروجی از آب سردکن در حدی است که برای نوشیدن دلپذیر باشد. در صورتی که به آب سردتر نیاز دارید، قبل از ریختن آب چند قطعه یخ در لیوان قرار دهید.

محل توزیع خودکار آب و یخ

برحسب نیاز، موارد زیر قابل دریافت میباشند:

- آب خنک
- قالب های یخ
- یخ خرد شده

⚠ هشدار

از ظروف شکننده در قسمت توزیع آب و یخ استفاده ننمایید - خطر بروز جراحت در اثر شکستن لیوان!

انگشتان خود را از سوراخ تحویل آب و یخ دور نگه دارید. خطر ایجاد جراحت در اثر تماس با تیغه های خرد کننده یخ!

توجه:

قسمت توزیع آب و یخ فقط در صورت اتصال دستگاه به برق، کار می کند.

در هنگام روشن کردن دستگاه، موارد زیر را مورد دقت قرار دهید

در زمان روشن شدن دستگاه، هنوز حباب های هوا در داخل لوله های آب وجود دارد.

تا هنگام تخلیه حباب و دریافت آب زلال، چند لیوان را آب کرده و دور بریزید. حداقل 5 لیوان آب اولیه را استفاده نکنید.

در هنگام استفاده از دستگاه یخ ساز برای نخستین بار، 30-40 قالب اولیه را بدلیل رعایت موارد بهداشتی، مورد استفاده قرار ندهید.

نحوه کارکرد دستگاه یخ ساز

زمانیکه محفظه فریزر به دمای مناسب خود رسید، آب بدخل دستگاه یخ ساز جاری شده و قالب های یخ تشکیل می گردند. بمحض حاضر شدن قالب های یخ، بطور خودکار در ظرف مخصوص این کار در داخل دستگاه، تخلیه می شوند.

اغلب گوشه قالب های یخ به یکدیگر می چسبند. ولی در زمان رسیدن آن ها به سوراخ خروجی، معمولاً شکسته و از هم جدا می شوند.

بلافاصله پس از پر شدن ظرف مخصوص نگهداری یخ، فرآیند تولید یخ بطور خودکار قطع می گردد.

دستگاه یخ ساز توان ساخت حدود 100 قالب یخ در 24 ساعت را دارد.

از قرار دادن بطری ها و یا اغذیه در ظرف مخصوص نگهداری قالب یخ به جهت خنک سازی سریع آنها، جداً خودداری فرمایید. این عمل باعث انسداد و خرابی دستگاه یخ ساز خواهد گردید.

فرآیند ساخت و تحویل اولین قالب های یخ، حدود 24 ساعت پس از نصب و راه اندازی دستگاه، صورت می پذیرد.

محفظه فریزر

از محفظه فریزر جهت موارد زیر استفاده نمایید

- نگهداری اغذیه کاملاً فریز شده.

- فریز کردن غذاها.

- تولید قالبهای یخ.

توجه:

همیشه از بسته بودن درب محفظه فریزر اطمینان حاصل نمایید. در صورت باز ماندن درب، یخ غذاهای فریز شده ذوب خواهد گشت. همچنین تمام سطح محفظه فریزر را لایه ضخیم برفک خواهد پوشاند. از آن گذشته: بدلیل مصرف بالای دستگاه، مقدار زیادی انرژی را از دست خواهید داد.

انجماد «سریع»

به منظور حفظ ویتامینها، ارزش غذایی، ظاهر و طعم غذاها باید فرآیند فریز شدن آنها تا حد امکان سریعتر انجام شود.

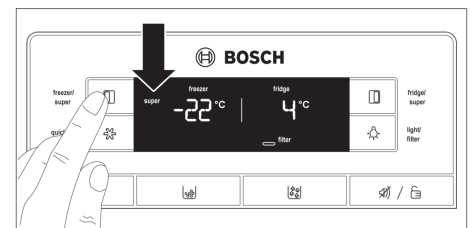
بمنظور پرهیز از افزایش ناخواسته دما در هنگام قرار دادن اغذیه تازه در داخل محفظه دستگاه، عملکرد انجماد سریع را از چند ساعت قبل گذاشتن اغذیه، فعال نمایید.

بصورت کلی، 4 تا 6 ساعت کافی است. به جهت بهره گیری از حداکثر توان انجماد، این عملکرد را از 24 ساعت قبل، فعال کنید.

شما امکان منجمد کردن مقادیر کمتر اغذیه بدون استفاده از این عملکرد را دارا هستید.

روش فعال کردن عملکرد انجماد سریع:

دکمه "freeze/super" (انجماد سریع) را تا هنگام نمایش نشانگر "super" در سمت چپ صفحه نمایشگر، فشار دهید.



روش غیر فعال کردن عملکرد انجماد سریع:

دکمه "freeze/super" (انجماد سریع) را فشار دهید.

نشانگر "super" از روی صفحه نمایشگر محو می گردد. دما به طور خودکار بر روی -18°C تنظیم میشود.

توجه:

عملکرد "superfreeze" (انجماد سریع) بطور خودکار پس از 2 روز، غیر فعال می گردد.

روش فریز کردن و ذخیره سازی اغذیه

روش نگهداری اغذیه کاملاً فریز شده

در هنگام خرید غذاهای فریز شده، موارد زیر را رعایت کنید:

- از سالم بودن بسته بندی مواد غذایی مطمئن شوید.

- تاریخ مصرف آنها را کنترل کنید.

- دمای فریزر سوپرمارکت باید -18°C یا کمتر باشد. در غیر اینصورت، طول زمان ذخیره سازی اقلام کاهش می یابد.

- غذاهای کاملاً فریز شده را در مرحله آخر خرید خود بردارید. سپس آنها را در داخل روزنامه پیچیده و یا در کیف مخصوص حمل غذاهای یخ زده قرار داده و به خانه ببرید.

- پس از رسیدن به خانه، این نوع غذاها را سریعاً داخل فریزر قرار دهید. غذاهای فریز شده را قبل از سر رسید تاریخ مصرف، استفاده کنید.

- چنانچه یکبار یخ این نوع غذاها آب شد، مجدداً آنها را فریز نکنید. موارد استثناء: در صورت استفاده از غذاهای حاضری (از طریق جوشاندن و یا سرخ کردن)، شما میتوانید مجدداً غذای حاضر شده را فریز نمایید.

روش فریز کردن غذاها

تنها غذاهای تازه و خراب نشده را فریز کنید. بمنظور جلوگیری از عوض شدن طعم و یا خشک شدن غذاها، آنها را در داخل ظروف دربسته و یا نایلون های وکیوم قرار دهید. بمنظور حفظ ویتامین ها، ارزش غذایی، ظاهر و طعم غذاها باید فرآیند فریز شدن آنها تا حد امکان سریعتر انجام شود. حداکثر ظرفیت فریزر را رعایت کنید.

روش صحیح بسته بندی غذاها:

- غذا را در داخل بسته بندی قرار دهید.
- بسته را فشار دهید تا هوای داخل آن تخلیه شود.
- درب بسته را ببندید.
- با زدن برچسب، نوع محتویات و تاریخ بسته بندی را مشخص نمایید.

محصولات زیر جهت بسته بندی اغذیه مناسب نیستند:

کاغذ بسته بندی، کاغذ ضد چربی، سلوفان، کیسه های استفاده شده و کیسه های خرید دست دوم.

محصولات زیر جهت بسته بندی اغذیه مناسب می باشند:

کیسه های پلاستیکی، ظروف پلی اتیلن، آلومینیوم فویل و قوطی های مخصوص فریزر. این نوع ظروف را می توانید از فروشگاه های خاص تهیه فرمایید.

محصولات زیر جهت بستن درب اغذیه بسته بندی شده، مناسب می باشند:

نوار های لاستیکی، گیره های پلاستیکی، نخ، نوار های چسب مقاوم در برابر سرما و اقلام مشابه.

درب کیسه ها و ظروف پلی اتیلن را می توان با نوار درزگیر محکم نمایید.

ظرفیت فریز کردن دستگاه

شما امکان فریز کردن تا 10 کیلوگرم مواد غذایی در مدت زمان 24 ساعت را دارید.

طول مدت ذخیره سازی اغذیه فریز شده

طول مدت زمان ذخیره سازی بستگی به نوع محصول دارد.

در درجه دمای عادی:

ماهی، سوسیس، غذاهای آماده، کیک و شیرینی	تا 6 ماه
پنیر، گوشت و مرغ	تا 8 ماه
سبزیجات و میوه	تا 12 ماه

روش ذوب کردن یخ اغذیه

بسته به نوع غذا و نوع مصرف آن، یخ مواد غذایی را می توان به روش زیر باز نمود:

- در دمای عادی اتاق

- در داخل یخچال

- در داخل فر برقی، با/بدون فن هوای داغ

- در داخل مایکروفر

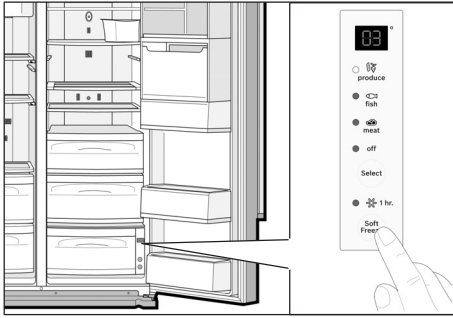
توجه:

از فریز کردن مجدد غذاهایی که یخ آنها باز شده و یا در حالت نیمه باز هستند، خودداری نمایید. این غذاها را تا هنگام آماده شدن (جوشاندن و یا سرخ کردن) نمی توان مجدداً فریز نمود.

پس از گذشت حداکثر زمان مجاز ذخیره سازی، از نگهداری اغذیه خودداری فرمایید.

روش خنک کردن سریع غذاها:

• دکمه "Soft Freeze" را فشار دهید.



فضای محفظه نگهداری غذایی تازه تا حد امکان و بمدت 60 دقیقه سرد میشود. چراغ ال ای دی روشن شده و صفحه نمایشگر زمان باقی مانده را نشان میدهد.

توجه:

- در حالت "off" دمای محفظه بر اساس دمای قسمت بالایی تنظیم میشود.
- میزان دمای نشان داده شده، دمای مورد نیاز میباشد. ممکن است دمای موجود در محفظه «نگهداری غذایی تازه»، کمی اختلاف داشته باش.

غذاهایی که برای قرارگیری در محفظه «نگهداری غذایی تازه» مناسب نیستند:

- میوه و سبزیجات حساس به برودت (میوههای گرمسیری، آوکادو، انبه، پشن فروت، بادنجان، خیار، فلفل، کاهو)
- میوههایی که بعداً رسیده میشوند (گوجه فرنگی، سبزی، موز)
- سیب زمینی
- پنیر سفت

در هنگام خرید غذایی، به موارد زیر توجه بفرمایید:

«تازه بودن محصولات خریداری شده» تأثیر زیادی در مدت ذخیره سازی آنها خواهد داشت. بطور کلی، موارد زیر مهم هستند: هر مقدار که غذاهای قرار داده شده در «محفظة نگهداری غذایی تازه» تازه تر باشند، طول مدت نگهداری آنها بیشتر خواهد بود. در هنگام خرید غذایی، همیشه به تازه بودن مواد توجه داشته باشید.

مدت نگهداری (در 0°C):

برحسب کیفیت اولیه

تا 7 روز	سوسیس، کالباس، گوشت، ضایعات گوشت، ماهی، شیر تازه، مواد لبنی
تا 10 روز	قطعات ریز گوشت، سوسیس سرخ شده، قارچ، کاهو، سبزیجات برگ دار
تا 15 روز	قطعات بزرگ گوشت، غذاهای آماده
تا 20 روز	سوسیس دودی یا سس زده، کلم
تا 30 روز	قطعات بزرگ گوشت تفت داده، گوشت گاو، گوشت شکار، حبوبات

روش غیر فعال کردن عملکرد خنک ساز فوری:

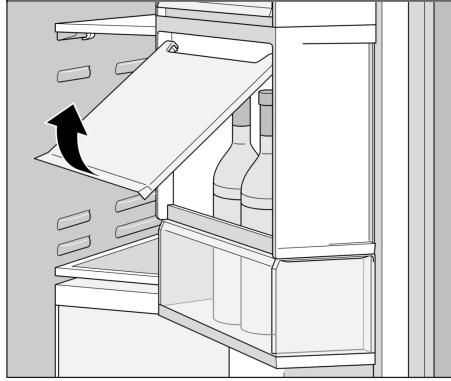
دکمه "fridge/super" را فشار دهید.

نشانگر "super" از روی صفحه نمایشگر محو میگردد. دما به طور خودکار بر روی 4°C تنظیم میشود.

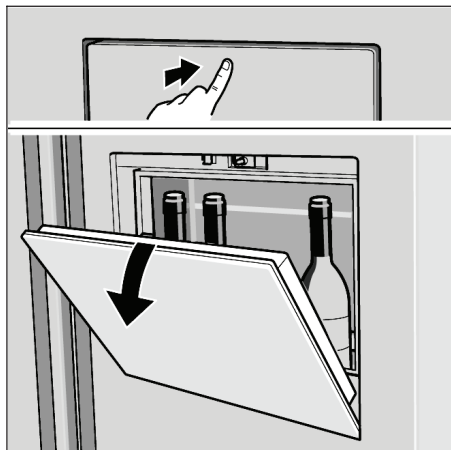
محفظة بار داخلی دستگاه

جهت برداشتن نوشیدنیها و غیره از داخل محفظه یخچال، لازم نیست درب آن باز شود.

روش قرار دادن اجسام در داخل بار داخلی دستگاه



برداشتن نوشیدنیها



محفظة «نگهداری غذایی تازه»

(در همه مدل ها وجود ندارد)

دمای این محفظه در حدود 0°C نگه داشته میشود. این موضوع امکان بهبود شرایط نگهداری غذایی تازه را فراهم میآورد.

- با استفاده از دکمه "Select"، ماده غذایی مورد نظر را انتخاب کنید (تولید 3°C -1°C گوشت -3°C خاموش).
- انتخاب انجام شده و دمای تنظیمی توسط یک نمایشگر ال ای دی نمایش داده می شود.



یخچال

روش استفاده از محفظه یخچال

به منظور نگهداری کیک و شیرینی، غذاهای آماده، غذاهای کنسرو شده، شیر غلیظ، پنیر سفت، میوه جات و سبزیجات حساس به برودت: میوه گرمسیری مانند ماندارین، موز، آناناس، طالبی، آوکادو، انبه، پشن فروت، بادنجان و همچنین میوههایی که بعداً رسیده میشوند، گوجه فرنگی، خیار، گوجه سبز و سیب زمینی.

هنگام ذخیره سازی غذایی، موارد زیر را رعایت نمایید:

- صبر کنید تا میوه و یا نوشیدنیهای گرم در خارج از یخچال خنک شوند.
- به منظور جلوگیری از عوض شدن طعم و یا خشک شدن غذاها، آنها را در داخل ظروف دربسته و کیوم قرار دهید.
- سوراخهای خروجی هوا را با قرار دادن غذا، مسدود ننمایید. در غیر این صورت، گردش هوا با مشکل روبرو میشود.
- از آغشته شدن اجزاء پلاستیکی و نوار دور درب به روغن و یا مواد چرب پرهیز نمایید.
- درب بطریهای حاوی مواد دارای الکل بالا را محکم بسته و آنها را بصورت ایستاده نگه دارید. از نگه داشتن مواد قابل انفجار در داخل دستگاه خودداری نمایید. خطر انفجار!

عملکرد «سرمايش سریع»

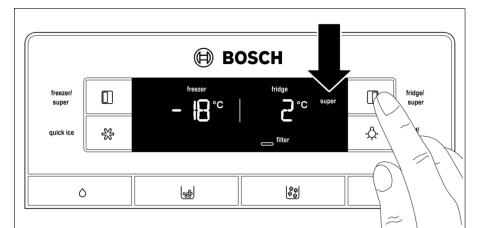
عملکرد سرمايش سریع، محفظه یخچال را تا حد ممکن و به مدت 6 ساعت سرد میسازد. سپس دما به طور خودکار بر روی 4°C تنظیم میشود.

استفاده از عملکرد سرمايش سریع در موارد زیر توصیه میشود:

- قبل از قرار دادن مقادیر زیاد مواد غذایی در یخچال.
- خنک کردن سریع نوشیدنیها.

روش فعال کردن عملکرد خنک ساز فوری:

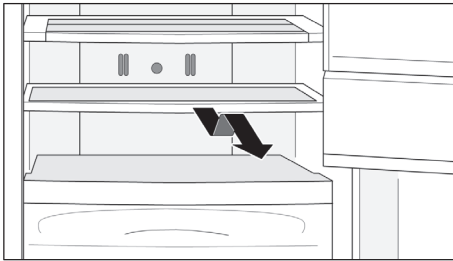
دکمه "fridge/super" را تا هنگام نمایش نشانگر "super" در سمت راست صفحه نمایشگر، فشار دهید.



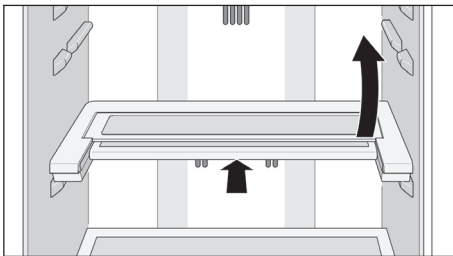
طرح داخلی قابل تغییر

شما امکان تغییر وضعیت طبقات داخل دستگاه و همچنین ظروف داخل درب را بر اساس نیاز های خود، دارا میباشید.

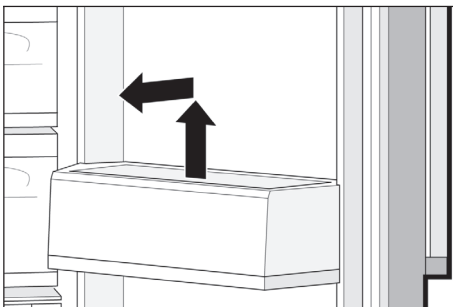
- طبقه را به سمت جلو کشیده و از جای خود بردارید.



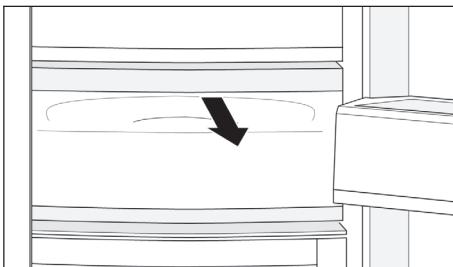
- طبقه شیشه‌ای تا شو را کمی بلند نموده و پس فشار دادن به سمت عقب به طرف بالا تا کنید.



- ظرف داخل محفظه را بلند کرده و بردارید.



- کشوها را به سمت جلو کشیده، کمی بلند نموده و خارج سازید.



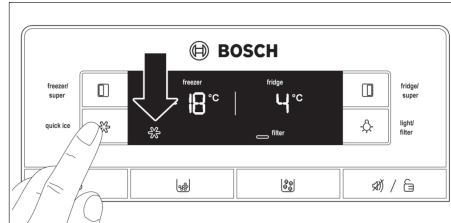
عملکرد «یخساز سریع»

با استفاده از این عملکرد امکان تولید سریع قالب های یخ را دارا خواهید بود.

روش فعال کردن عملکرد یخ سازی سریع:

دکمه "quick ice" را فشار دهید.

صفحه نمایش نشانه عملکرد "quick ice" (یخ سازی سریع) را نشان خواهد داد.



در صورت پر بودن مخزن نگهداری قالب های یخ، عملکرد یخ سازی سریع بطور خودکار و به مدت چند ساعت غیر فعال می گردد.

توجه:

در هنگام فعال بودن عملکرد یخ ساز سریع، توان دستگاه شما برای مدتی خاص افزایش می یابد. در نتیجه، مصرف برق دستگاه نیز افزایش می یابد.

نشانه فیلتر آب

این نشانه مشخص کننده طول زمان استفاده از فیلتر می باشد.



تا دو ماه.

تا چهار ماه.

تا شش ماه.

پس از گذشت شش ماه:

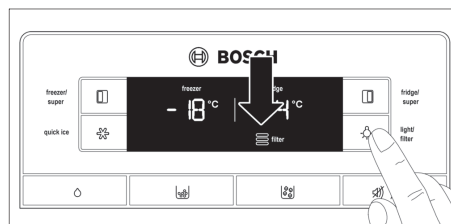
نشانه بصورت چشمک زن نمایش داده خواهد شد.

کارت ریج فیلتر را تعویض نمایید.

در صورت خاموش کردن دستگاه، نشانه فیلتر آب ریست می گردد.

پس از تعویض کارت ریج فیلتر، باید به روش زیر نشانه فیلتر آب را ریست نمایید:

دکمه چراغ/فیلتر را به مدت 3 ثانیه فشار داده و نگه دارید.



حالت چشمک زدن نشانه قطع می گردد.

عملکرد "alarm" (آلارم)

در صورت افزایش دمای بیش از حد دستگاه و همچنین در مواقعی که درب دستگاه بیش از سه دقیقه باز بماند، یک صدای آلارم هشدار دهنده پخش می گردد.

صدای آلارم هشدار دهنده به صورت دو سوت کوتاه است. بین هر بار پخش صدا، یک دقیقه فاصله می باشد.

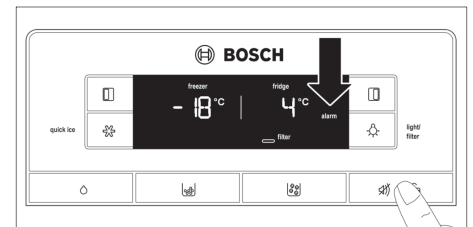
محفظه یخچال

نشانهگر "alarm" در سمت راست صفحه نمایشگر نشان داده میشود.

روش غیر فعال کردن صدای آلارم:

دکمه «فیل/آلارم» را فشار داده و یا دربهای یخچال را ببندید.

تا هنگام رسیدن دمای دستگاه به میزان دمای تنظیم شده، نشانهگر "alarm" به چشمک زدن ادامه خواهد داد.



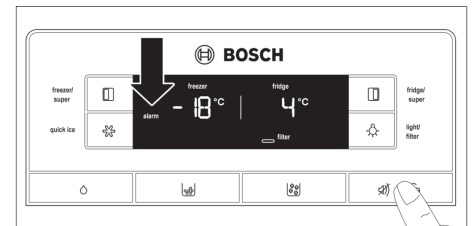
محفظه فریزر

نشانهگر "alarm" در سمت چپ صفحه نمایشگر نشان داده میشود.

روش غیر فعال کردن صدای آلارم:

دکمه "alarm/lock" را فشار داده و یا درب فریزر را ببندید.

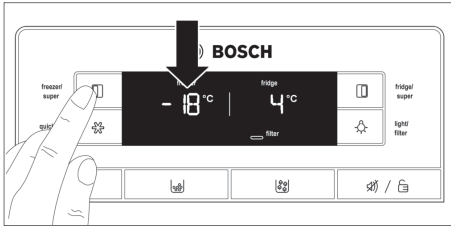
تا هنگام رسیدن دمای دستگاه به میزان دمای تنظیم شده، نشانهگر "alarm" به چشمک زدن ادامه خواهد داد.



محفظه فریزر

(میتواند بین 15°C - و 22°C تنظیم شود)

دکمه "freezer/super" (انجماد سریع) را پشت سر هم فشار دهید تا دمای محفظه فریزر تعیین و تنظیم گردد.



آخرین مقدار تنظیم شده، ذخیره می گردد. توصیه میشود دما را روی 18°C تنظیم کنید.

روش خاموش کردن و قطع اتصال برق دستگاه

روش خاموش کردن دستگاه

روش قطع اتصال برق دستگاه

در صورت عدم استفاده از دستگاه برای مدت طولانی:

- دوشاخه را از پریز برق خارج نمایید.
- شیر آب را ببندید.
- ظرف مخصوص نگهداری قالبهای یخ را خالی کنید (به بخش «روش تمیزکاری دستگاه» رجوع شود).
- آب آشامیدنی باقی مانده را تخلیه کنید.
- دوشاخه را از پریز برق خارج نمایید.
- فیلتر آب دستگاه را بردارید.

توجه:

قبل از روشن کردن مجدد دستگاه، یک فیلتر آب جدید نصب نمایید!

- قسمت داخلی دستگاه را تمیز کنید (به بخش «روش تمیزکاری دستگاه» مراجعه شود).

به منظور جلوگیری از بوی نامطبوع، درب دستگاه را باز بگذارید.

در صورت احتمال خطر یخزدگی، مخزن توزیع کننده آب آشامیدنی را تخلیه (به بخش دستورالعملهای نصب مراجعه کنید).

اقدامات لازم در هنگام تغییر منزل

کلیه اجزای جدا شدنی را از دستگاه جدا ساخته و هر کدام را با دقت بسته بندی نمایید. درب ها و قسمت های آزاد دستگاه را با استفاده از نوار چسب محکم کرده و در حین حمل و نقل، دستگاه را بصورت ایستاده جابجا نمایید.

واحد دما

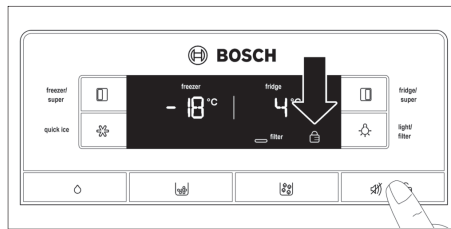
میزان دما را میتوان به هر دو صورت درجه سلسیوس ($^{\circ}\text{C}$) و درجه فارنهایت ($^{\circ}\text{F}$) نشان داد.

در هنگام روشن شدن، دستگاه به طور پیش فرض واحد دما را به درجه سلسیوس ($^{\circ}\text{C}$) نشان میدهد.

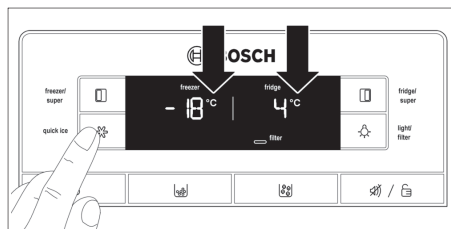
روش تنظیم واحد دما:

دکمه «قفل/آلارم» را به مدت 2 ثانیه فشار دهید.

نشانه «قفل دکمه» بر روی صفحه نمایشگر ظاهر می شود.



دکمه "quick ice" (یخ سازی سریع) را به مدت 15 ثانیه فشار داده و نگه دارید تا واحد نمایش دما تغییر یابد.



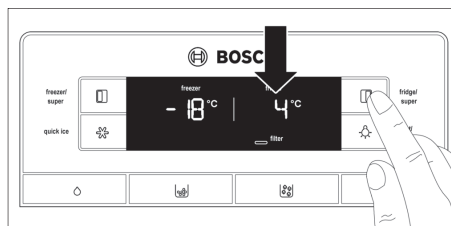
روش تنظیم دمای دستگاه

دماهای قسمت یخچال و فریزر میتواند به طور جداگانه تنظیم شود. مقدار تنظیم شده روی نمایشگر نشان داده میشود.

محفظه یخچال

(میتواند بین 2°C + و 8°C + تنظیم شود)

دکمه "fridge/super" (سرمايش سریع) را پشت سر هم فشار دهید تا دمای محفظه یخچال تعیین و تنظیم گردد.



آخرین مقدار تنظیم شده، ذخیره می گردد. توصیه میشود دما را روی 4°C + تنظیم کنید. مواد غذایی فاسد شدنی را نباید در دمای بالاتر از 4°C + نگهداری نمود.

روش روشن کردن دستگاه

دوشاخه برق دستگاه را در داخل پریز قرار دهید. یک صدای هشدار پخش میشود.

به محض اتصال دوشاخه به پریز برق، سرمايش دستگاه آغاز میشود. با باز شدن دربها، چراغهای داخلی روشن میشوند.

توجه:

دستگاه شما پس از گذشت چند ساعت، به دمای از پیش تنظیم شده خواهد رسید. قبل از این زمان، نباید غذا داخل دستگاه بگذارید.

برای تغییر دمای تنظیم شده ← به قسمت «تنظیم دما» مراجعه کنید.

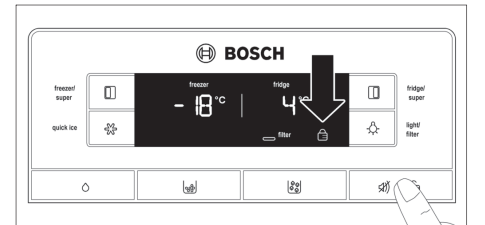
قفل دکمه

در صورت روشن بودن عملکرد قفل دکمه، کلیه دکمه های موجود بر روی صفحه کنترل و صفحه نمایشگر، قفل می باشند.

در هر حال، حتی اگر عملکرد قفل دکمه فعال هم باشد، شما قادر به قطع صدای هشدار در صورت پخش آن، از طریق دکمه «قفل/آلارم» خواهید بود.

روش فعال سازی قفل دکمه:

دکمه «قفل آلارم» را فشار دهید، در این حالت نشانه «قفل دکمه» ظاهر می گردد.



روش غیر فعال سازی قفل دکمه:

دکمه «قفل/آلارم» را به مدت 2 ثانیه فشار دهید.

نصب

جهت انجام مراحل نصب و اتصال دستگاه به برق شهری، از یک تکنسین مجرب استفاده نمایید.

تا هنگام نصب کامل دستگاه، اجزای محافظ حمل و نقل را از طبقات و ظروف داخلی دستگاه جدا نسازید.

همیشه جریان آب دستگاه را قبل از اتصال آن به برق برقرار سازید.

محل نصب دستگاه

محل نصب دستگاه را در اتاقی خشک و با تهویه کامل انتخاب نمایید. محل نصب دستگاه نباید در معرض تابش مستقیم نور آفتاب و یا در مجاورت منابع گرمازا (مانند اجاق، رادیاتور و غیره) قرار داشته باشد. در صورتی که نصب در مجاورت منابع گرمازا، اجتناب ناپذیر باشد، از صفحه‌های مناسب عایق‌بندی استفاده کرده و تا حد امکان فاصله مناسب را میان دو دستگاه در نظر بگیرید:

- 3 سانتیمتر تا اجاق برقی.

- 30 سانتیمتر تا اجاق‌های نفتی و یا دارای سوخت جامد.

در صورت نصب دستگاه در مجاورت یک یخچال یا فریزر دیگر، لازم است یک فاصله حداقل 25 میلیمتری را مابین دو دستگاه در نظر گرفته شود تا از ایجاد حالت میعان جلوگیری بعمل آید.

هوای گرم تولید شده در قسمت پشت دستگاه باید براحتی تخلیه شود.

زمینی که دستگاه روی آن نصب میشود باید سفت و محکم باشد. در صورت نیاز، سطح زمین را تقویت کنید.

وزن دستگاه بسیار سنگین است:

مدل دارای توزیع کننده 143 کیلوگرم
(وزن در حالت خالی)

برای تضمین عملکرد صحیح یخ ساز، دستگاه باید به صورت عمود قرار گیرد. با استفاده از یک تراز حباب دار، دستگاه را تراز کنید. بمنظور اطمینان از باز شدن کامل دریها، در هنگام نصب دستگاه در گوشه اتاق و یا فرو رفتگیهای دیوار، حداقل فواصل جانبی را در نظر بگیرید (به بخش «ابعاد دستگاه» مراجعه نمایید).

روش اتصال دستگاه به

جریان برق

بعد از مستقر کردن دستگاه، حداقل یک ساعت صبر کنید و بعد آنرا روشن نمایید. روغن موجود در کمپرسور ممکن است در هنگام حمل و نقل به داخل سیستم خنک کننده منتقل شده باشد.

قبل از استفاده از دستگاه برای اولین بار، داخل آنرا تمیز کنید (به بخش «تمیز کردن دستگاه» رجوع کنید).

رتبه بندی حفاظتی دستگاه مطابق با کلاس آی می باشد. با بهره گیری از یک پریز برق که بطرز صحیح به دیوار نصب شده و اتصال سیم زمین آن نیز برقرار گشته است، دستگاه را به جریان برق 220-240 ولت/50 هرتز، وصل نمایید.

پس از نصب دستگاه باید براحتی به پریز برق آن دسترسی داشته باشید.

پریز برق باید با یک فیوز 10 تا 16 آمپر و یا بالاتر محافظت شده باشد.

در صورت استفاده از دستگاه در خارج از حوزه اروپا، ابتدا بررسی کنید که نوع و ولتاژ برق مشخص شده بر روی پلاک مشخصات دستگاه با مقادیر برق محل بهره برداری از آن مطابقت داشته باشد. این اطلاعات را میتوانید بر روی پلاک مشخصات که در سمت راست قسمت پایین داخل دستگاه قرار گرفته است، بیابید.

⚠ هشدار

دستگاه نباید هیچگاه به یک دوشاخه الکترونیکی کاهنده جریان برق وصل گردد.

شما میتوانید از مبدل‌های سینوسی و همچنین مبدل‌های خطی به همراه دستگاه‌های ما استفاده نمایید.

مبدل‌های خطی به همراه سیستم‌های متناوب ساز که مستقیماً به شبکه برق وصل میشوند، مورد استفاده قرار میگیرند. مبدل‌های سینوسی باید برای دستگاه‌هایی استفاده شوند که اتصال مستقیم به شبکه برق ندارند (مانند دستگاه‌های مورد استفاده بر روی کشتیها و یا کلبه‌های کوهستانی).

احتیاط:

در صورت نیاز به تعویض کابل برق دستگاه، این کار باید توسط یک متخصص حرفه‌ای انجام پذیرد. هنگام نصب یا تعویض کابل برق از یک نگهدارنده کابل استفاده کنید.

از کابل‌های رابط و سه راهی برق استفاده نشود.

به عواملی مانند دمای

محیط و تهویه مناسب هوا

توجه داشته باشید

دمای محیط

مناطق مربوط به آب و هوا بر روی پلاک مشخصات دستگاه درج شده است. این درجه بندی، نشان دهنده دمای محیطی است که دستگاه در آن قادر به کار میباشد.

گروه آب و هوایی	دمای مجاز محیط
SN	+10 °C تا 32 °C
N	+16 °C تا 32 °C
ST	+16 °C تا 38 °C
T	+16 °C تا 43 °C

توجه:

دستگاه در محدوده دمایی گروه آب و هوایی مشخص شده میتواند کار کند. در صورتی که یک دستگاه متعلق به گروه آب و هوایی SN، در دماهای پایینتر مورد استفاده قرار گیرد، تا دمای +5 °C به دستگاه آسیب نمیرسد.

تهویه هوا

هوای موجود در قسمت پشت دستگاه گرم می شود. مسیر تهویه هوای گرم نباید مسدود گردد. در غیر این صورت واحد خنک ساز باید به مدت طولانیتر کار کند و این موضوع باعث افزایش مصرف انرژی میگردد.

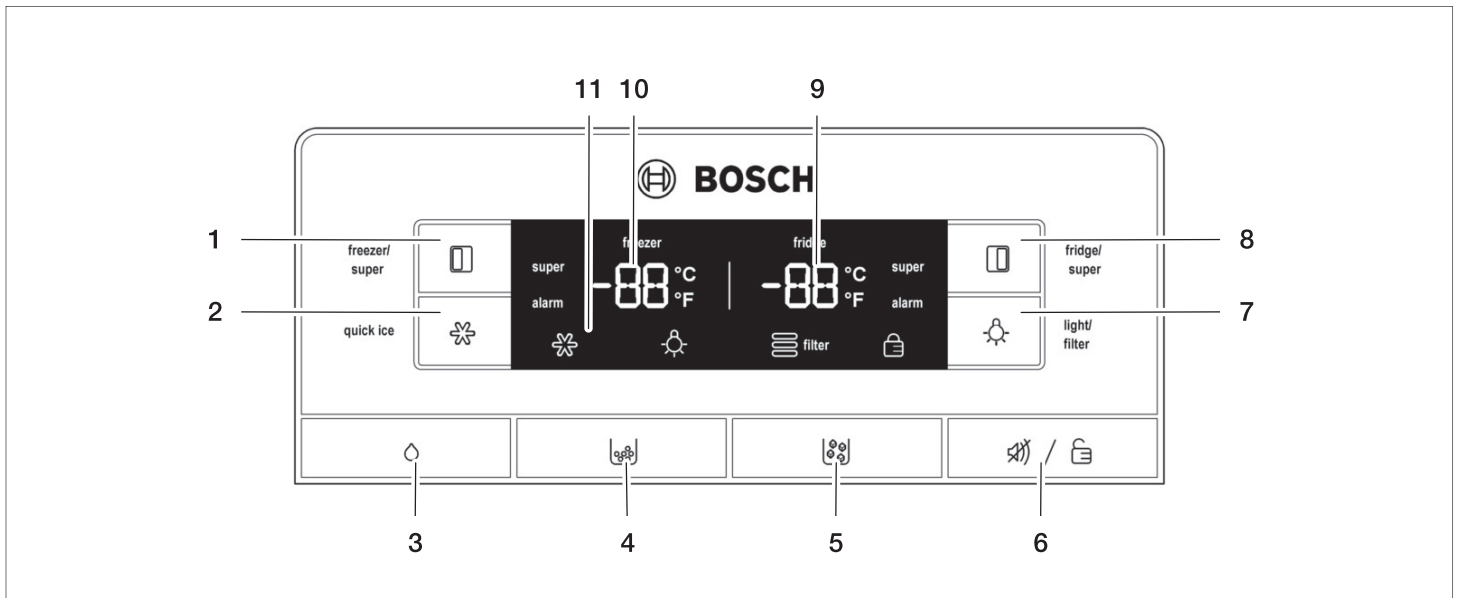
بنابراین: هرگز منفذهای تهویه را مسدود نکنید یا روی آنها را نپوشانید!

ظرفیت قابل استفاده دستگاه

اطلاعات مربوط به گنجایش مفید دستگاه را میتوانید روی برچسب مشخصات آن بیابید (به قسمت «تماس با بخش خدمات مشتریان» مراجعه نمایید).

صفحه کنترل و صفحه نمایشگر دستگاه

صفحه کنترل و صفحه نمایشگر واقع بر روی درب دستگاه، شامل یک تاج پد می باشد. بمنظور فعال سازی عملکرد مورد نظر، صفحه کلید را لمس کنید. در صورتی که دکمه‌های صفحه کلید به مدت 20 دقیقه لمس نشوند، نور زمینه صفحه کنترل و صفحه نمایشگر، خاموش می گردد.



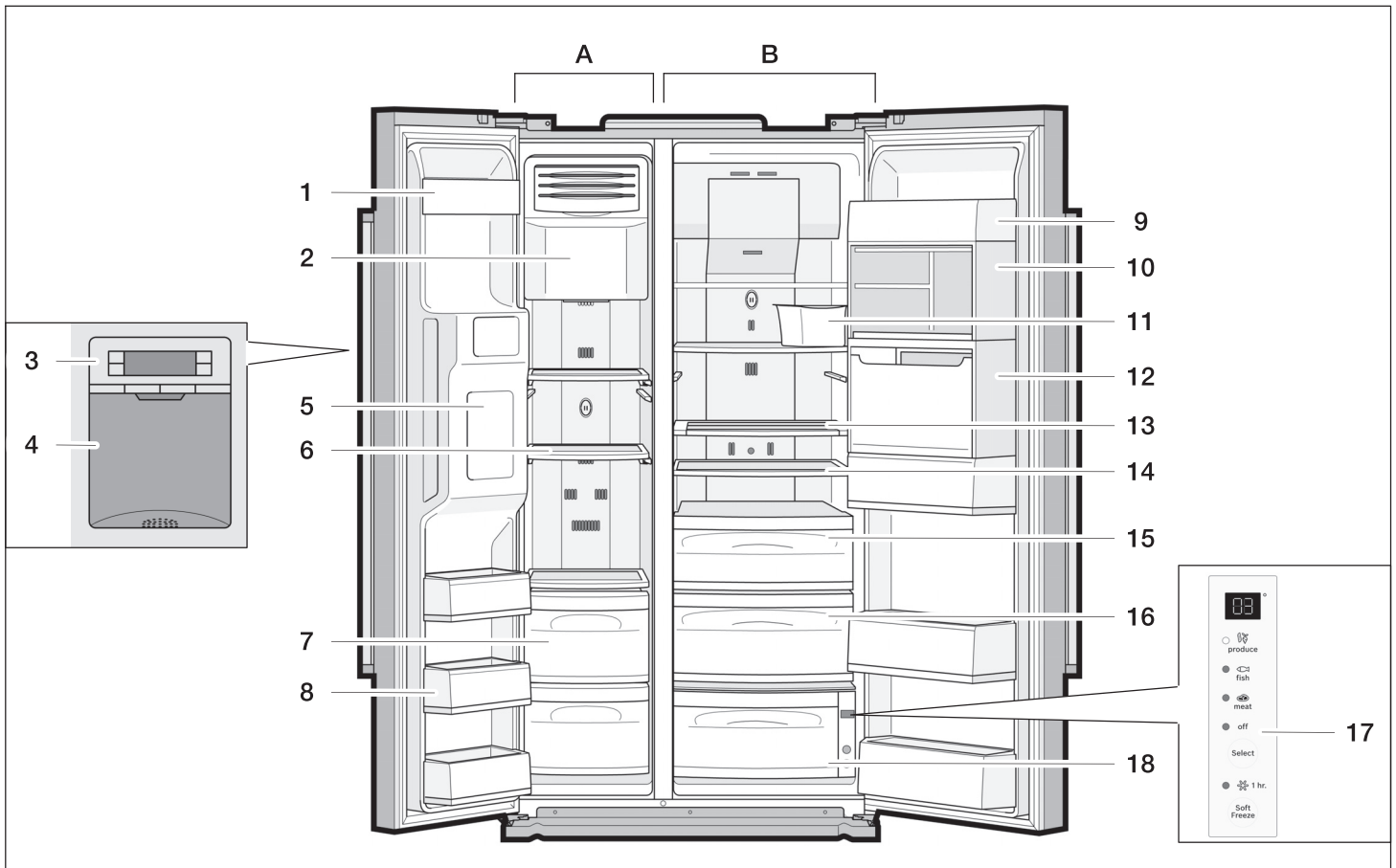
- | | | |
|--|--|--|
| <p>9 نمایشگر دما، محفظه یخچال
دمای تنظیم شده محفظه فریزر را نمایش می دهد.</p> <p>10 نمایشگر دما، محفظه فریزر
دمای تنظیم شده محفظه فریزر را نمایش می دهد.</p> | <p>6 دکمه "alarm/lock"</p> <ul style="list-style-type: none"> جهت غیرفعال کردن صداهای هشدار دهنده. جهت فعال و غیرفعال کردن عملکرد قفل دکمه‌ها. <p>7 دکمه "light/filter"</p> <ul style="list-style-type: none"> جهت خاموش و روشن کردن چراغ محفظه توزیع آب و یخ. جهت ریست کردن نمایشگر فیلتر. <p>8 دکمه "fridge/super"</p> <ul style="list-style-type: none"> جهت تنظیم دمای محفظه فریزر. جهت فعال و غیرفعال کردن عملکرد «سرمایش سریع». | <p>1 دکمه "freezer/super"</p> <ul style="list-style-type: none"> جهت تنظیم دمای محفظه فریزر. جهت فعال و غیرفعال کردن عملکرد «انجماد سریع». <p>2 دکمه "quick ice"</p> <ul style="list-style-type: none"> جهت فعال و غیرفعال کردن عملکرد یخساز سریع. <p>3 دکمه قسمت توزیع آب</p> <p>4 دکمه قسمت توزیع یخ خرد شده</p> <p>5 دکمه قسمت توزیع یخ قالبی</p> |
|--|--|--|

توضیح علامتهای روی نمایشگر

<p>«چراغ» روشن بودن چراغ قسمت توزیع آب و یخ.</p>		<p>«یخ فوری» فعال بودن عملکرد یخ فوری.</p>	
<p>«قفل دکمه» فعال بودن قفل دکمه‌ها.</p>		<p>«فیلتر آب» وضعیت فیلتر آب.</p>	

دستگاه جدید شما

این راهنمای مصرف کنندگان مربوط به چندین مدل می شود. بنابر این ممکن است شکل های آورده شده با مدل شما متفاوت باشد.



- | | | |
|--|---|---|
| <p>9 محفظه نگهداری اغذیه در داخل درب جهت نگهداری کنسرو، بطری و ظرف های بلند.</p> <p>10 محفظه چند کاره</p> <p>11 طبقه مخصوص نگهداری تخم مرغ</p> <p>12 بار داخلی دستگاه</p> <p>درب این بار از خارج باز شده و می توانید سریعاً و بدون نیاز به باز کردن درب اصلی، نوشیدنی های مورد نیاز خود را بردارید.</p> <p>13 طبقه شیشه های تاشو مخصوص محفظه یخچال</p> <p>14 طبقات شیشه های داخل محفظه یخچال جهت نگهداری غذاهای پخته شده، محصولات لبنی، سوسیس.</p> <p>15 محفظه مخصوص نگهداری سبزیجات</p> <p>16 محفظه مخصوص نگهداری میوه</p> <p>17 صفحه کنترل دستگاه</p> <p>برای محفظه نگهداری اغذیه تازه.</p> <p>18 محفظه نگهداری اغذیه تازه جهت نگهداری بهینه گوشت، ماهی، گوشت مرغ.</p> | <p>1 محفظه نگهداری اغذیه در داخل درب (محفظه 3 ستاره)</p> <p>جهت ذخیره سازی و نگهداری غذاهای فریز شده.</p> <p>2 دستگاه یخ ساز</p> <p>جهت ساخت و نگهداری قالب های یخ.</p> <p>3 صفحه کنترل و صفحه نمایشگر دستگاه</p> <p>4 محل توزیع آب و یخ</p> <p>5 محل نگهداری اغذیه فریز شده</p> <p>6 طبقات شیشه ای داخل محفظه فریزر جهت نگهداری اقلام فریز شده مانند گوشت، ماهی، بستنی.</p> <p>7 کشوی مخصوص محفظه فریزر جهت نگهداری گوشت، ماهی، گوشت مرغ (بسته بندی شده).</p> <p>8 محفظه نگهداری اغذیه در داخل درب (محفظه 2 ستاره)</p> <p>جهت نگهداری کوتاه مدت غذا و بستنی.</p> | <p>A محفظه فریزر</p> <p>قابلیت انتخاب از -14°C تا -24°C</p> <p>B محفظه یخچال</p> <p>قابلیت انتخاب از $+2^{\circ}\text{C}$ تا $+8^{\circ}\text{C}$</p> |
|--|---|---|

نکاتی در باره تحویل دستگاه

بعد از باز کردن بسته‌بندی دستگاه، کلیه قسمت‌های آنرا از نظر آسیب‌های احتمالی در هنگام حمل و نقل بررسی کنید. در صورت وجود هر نوع شکایت، لطفاً مراتب را به نماینده فروش که دستگاه را از آن خریدهایید و یا بخش پشتیبانی خدمات مشتریان شرکت منعکس فرمایید.

دستگاه تحویلی میبایست شامل اجزای زیر باشد:

- یخچال ایستاده
- کیسه لوازم نصب
- تجهیزات (برحسب مدل متفاوت است)
- کتابچه‌های راهنمای استفاده و نصب
- دفترچه خدمات پس از فروش
- ضمانتنامه
- اطلاعات مرتبط با مصرف انرژی و صداهای تولید شده از دستگاه

اطلاعاتی در خصوص نحوه دور انداختن دستگاه

روش دور انداختن بسته بندی دستگاه

بسته بندی محصول، دستگاه شما را از آسیب‌های ناشی از حمل و نقل محافظت می‌نماید. کلیه مواد بسته بندی این محصول، سازگار با محیط زیست و قابل بازیافت می‌باشند. با رعایت مقررات زیست محیطی در هنگام دور انداختن مواد بسته بندی، در حفظ محیط زیست مشارکت فرمایید.

جهت کسب اطلاعات بیشتر در خصوص روش‌های دور انداختن مواد، با نماینده فروش دستگاه و یا مقامات شهرداری محل سکونت خود تماس حاصل فرمایید.

⚠ هشدار

کودکان را از بسته بندی دستگاه و اجزاء آن دور نگه دارید. خطر خفگی بر اثر کارتن چند لایه و نوارهای پلاستیکی!

روش دور انداختن دستگاه قدیمی

دستگاه‌های قدیمی شما زباله‌های بی ارزش نیستند! از طریق بازیافت دستگاه‌های قدیمی می‌توان مواد خام ارزشمندی را بدست آورد.

این دستگاه براساس دستورالعمل
2012/19/EU اتحادیه اروپا
(waste electrical and electronic
equipment - WEEE)

در خصوص دستگاه‌های الکتریکی و الکترونیکی مستعمل برچسب خورده (است). این دستورالعمل چهارچوب روش پس فرستادن و بازیافت دستگاه‌های مستعمل را برای کلیه کشورهای عضو اتحادیه اروپا تعیین نموده است.

⚠ هشدار

دستگاه‌های قدیمی و اضافی:

1. دوشاخه را از پریز برق خارج نمایید.
2. کابل برق دستگاه را بریده و دوشاخه آن را دور بیاندازید.
3. طبقات داخلی و کثوهای یخچال را بیرون نیاورید. باقی‌گذاردن این وسایل در داخل یخچال باعث می‌شود که کودکان نتوانند بداخل آن رفته و خود را محبوس کنند!
4. هرگز به کودکان اجازه بازی با دستگاه قدیمی را ندهید. خطر خفگی!

یخچال‌ها حاوی مواد خنک‌ساز و مواد عایق هستند و این مواد نیز به نوبه خود حاوی گازهای مخصوص هستند. مواد خنک‌ساز و مواد عایق را می‌باید به طرز صحیح دور ریخت. قبل از اقدام به دور انداختن دستگاه، از سلامت لوله‌کشی ماده خنک‌ساز آن اطمینان حاصل فرمایید.

اطلاعات ایمنی و هشدار های لازم

نکات لازم قبل از روشن کردن دستگاه

لطفاً دستورالعملهای استفاده و نصب را با دقت مطالعه نمایید. این کتابچه های راهنما حاوی اطلاعات مهم در زمینه روش نصب، بهره برداری و نگهداری از دستگاه می باشند.

سازنده هیچگونه مسئولیتی را در قبال خسارت های ناشی از عدم توجه استفاده کنندگان به اطلاعات و هشدارهای مندرج در کتابچه های راهنمای استفاده و نصب نمیپذیرد.

مدارک ذکر شده را برای استفاده های بعدی و همچنین تحویل به مالک بعدی دستگاه، محفوظ نگه دارید.

نکات ایمنی فنی

⚠ هشدار

- تعویض کابل برق و انجام سایر تعمیرات فقط میتواند توسط بخش خدمات مشتریان صورت گیرد. عدم نصب صحیح و انجام تعمیرات غیر مجاز، باعث بروز خطر برای کاربر خواهد گردید.

اطلاعات مهم در زمینه نحوه استفاده از دستگاه

- هرگز دستگاه های برقی دیگر (مانند بخاری، یخ سازهای برقی و غیره) را در داخل این دستگاه مورد استفاده قرار ندهید. خطر انفجار!

- هرگز از بخارشو جهت برطرف کردن یخ و تمیزکاری دستگاه استفاده ننمایید. این احتمال وجود دارد که بخار با قسمتهای برقی تماس پیدا نموده و باعث اتصالی یا برق گرفتگی شود.

- از نگهداری مواد دارای حاملهای اشتعال زا (مانند قوطی اسپری) و یا مواد قابل انفجار در داخل دستگاه خودداری نمایید. خطر انفجار!

- از ایستادن و تکیه دادن به پایه، کتوها و یا درب دستگاه پرهیز نمایید.

- قبل از اقدام به ذوب یخ و تمیزکاری دستگاه، دوشاخه برق را از پریز خارج نموده و یا فیوز برق را قطع کنید.

- دوشاخه را با کشیدن کابل آن، بیرون نکشید.
- درب بطریهای حاوی مایعات دارای الکل در صد بالا را محکم بسته و بطری را بصورت ایستاده نگهداری نمایید.

- از آغشته شدن قسمتهای پلاستیکی و همچنین نوار دور درب دستگاه به روغن و گریس جلوگیری نمایید. در غیر اینصورت، این اجزا و نوار دور درب فاسد و خراب خواهند گردید.

- هیچگاه سوراخهای تهویه دستگاه را مسدود ننمایید و روی آنها را نپوشانید.

- **جلوگیری از آسیب رسیدن به کودکان و سایر افراد آسیب پذیر:**

افراد آسیب پذیر، کودکان، افراد دارای محدودیتهای حرکتی، حسی یا ذهنی، و افرادی که از نحوه استفاده ایمن از دستگاه آگاهی کافی ندارند را شامل میشود. مطمئن شوید کودکان و سایر افراد آسیب پذیر خطرهای احتمالی ناشی از بهکارگیری دستگاه را درک کردهاند.

هنگام استفاده کودکان و افراد آسیب پذیر از دستگاه، یک فرد مسؤول ایمنی باید آنها را تحت نظارت داشته باشد،

اجازه ندهید کودکان زیر 8 سال از دستگاه استفاده کنند.

هنگام تمیز کردن و مراقبت از دستگاه کودکان را تحت نظر داشته باشید.

هرگز اجازه ندهید کودکان با دستگاه بازی کنند.

- از نگهداری نوشیدنیهای داخل بطری و یا قوطی (به خصوص آشامیدنیهای گازدار) در داخل محفظه فریزر خودداری نمایید. امکان ترکیدن بطری و قوطی وجود دارد!

- بستنی یخی یا قطعات یخ را بلافاصله بعد از خارج شدن از محفظه فریزر در دهان نگذارید. خطر سوختگی بر اثر دمای بسیار پایین!

- هرگز غذاهای فریز شده را با دستان خیس لمس نکنید. امکان چسبندگی دستان شما به غذاها وجود دارد. خطر بروز جراحت!

- برای یخ زدایی یا برداشتن غذاهای فریز شده چسبیده به محفظه از اشیاء برنده و نوک تیز استفاده نکنید. این کار باعث آسیب دیدگی لوله های حامل ماده خنک ساز می گردد. نشت ماده خنک ساز، احتمال آسیب های چشمی را بدنبال خواهد داشت.

نحوه ارتباط کودکان با لوازم خانگی

- کودکان را از بسته بندی دستگاه و اجزاء آن دور نگه دارید. خطر خفگی بر اثر کارتین چند لایه و نوارهای پلاستیکی!

- چنانچه دستگاه شما دارای قفل میباشد، کلید آن را از دسترس کودکان دور نگاه دارید.

نکات عمومی

این دستگاه برای اهداف زیر تولید شده است

- سرد کردن و انجماد مواد غذایی،

- تولید یخ،

- توزیع آب آشامیدنی.

این دستگاه برای استفاده تا ارتفاع حداکثر 2000 متر از سطح دریا در نظر گرفته شده است.

طراحی این دستگاه جهت مصارف خانگی و استفاده در محیط منزل می باشد.

تولید این دستگاه بر اساس استاندارد اروپایی 2004/108/EC انجام پذیرفته است.

سیستم لوله کشی ماده خنک ساز از لحاظ نشتی چک شده است.

این محصول مطابق با قوانین ایمنی جاری در خصوص دستگاههای الکتریکی (EN 60335/2/24) ساخته شده است.

fa-2	اطلاعات ایمنی و هشدار های لازم.....
fa-3	اطلاعاتی در خصوص نحوه دور انداختن دستگاه.....
fa-3	نکاتی در باره تحویل دستگاه.....
fa-4	دستگاه جدید شما.....
fa-6	نصب.....
fa-6	روش اتصال دستگاه به جریان برق.....
fa-6	به عواملی مانند دمای محیط و تهویه مناسب هوا توجه داشته باشید.....
fa-6	ظرفیت قابل استفاده دستگاه.....
fa-7	روش روشن کردن دستگاه.....
fa-7	قفل دکمه.....
fa-7	واحد دما.....
fa-7	روش تنظیم دمای دستگاه.....
fa-7	روش خاموش کردن و قطع اتصال برق دستگاه.....
fa-8	عملکرد "alarm" (آلارم).....
fa-8	عملکرد «بخسازای سریع».....
fa-8	نشانه فیلتر آب.....
fa-8	طرح داخلی قابل تغییر.....
fa-9	یخچال.....
fa-10	محفظه فریزر.....
fa-10	روش فریز کردن و ذخیره سازی اغذیه.....
fa-11	محل توزیع خودکار آب و یخ.....
fa-12	فیلتر آب.....
fa-14	روش های صرفه جویی در مصرف برق.....
fa-14	صدا های دستگاه در حین کارکرد.....
fa-14	ذوب یخ و برفک.....
fa-14	روش تمیز کاری دستگاه.....
fa-15	روش برطرف نمودن ایرادات جزئی توسط خودتان.....
fa-16	"lighting" (روشنایی).....
fa-16	تماس با واحد خدمات مشتریان.....
fa-17	دستورالعملهای نصب.....

Robert Bosch Hausgeräte GmbH

Carl-Wery-Straße 34

81739 München, GERMANY

www.bosch-home.com



9000689797 (9602)

en, fa